

DATA SHEET

Premium Efficiency Motor: **IEC7.5-18-132,**

60 Hz

WorldWide Electric Corporation

1 (800) 808-2131

Worldwideelectric.net



Document Generated: 14-Jul-2023
Document ID:

Customer:

| MOTOR INFORMATION | |
|-------------------------|-----------------------------|
| HP | 7.5 |
| RPM | 1800 |
| Phase | 3 |
| Frequency | 60 |
| Voltage | 230/460 |
| Frame Size | 132S |
| Enclosure | TEFC |
| Degree of Protection | IP55 |
| Service Factor | 1.15 |
| Poles | 4 |
| Full Load Speed | 1765 |
| Insulation Class | F |
| Temp Rise | 80°C |
| NEMA Code Letter | J |
| Duty Cycle | S1 |
| Slip | 1.95% |
| IEC Design | N |
| Moment of Inertia | 0.5808 lb.ft.^2 |
| Locked Rotor Time (Hot) | 12 seconds |
| Sound Pressure Level | 91 dB(A) |
| Number of Starts | 2 Hot / 3 Cold |
| Max Ambient Temperature | 40° C |
| Max Elevation | 1000 m.a.s.l (3300 f.a.s.l) |
| Mounting | F3 |
| Rotation | Bidirectional |
| Area of Classification | Safe |
| Inverter Rating | 10:1 CT/20:1 VT |
| Standard | IEC 60034 and IEC 60072 |
| Approvals | UL, CE |

| EFFICIENCY/POWER FACTOR | | |
|-------------------------|--------|-------|
| LOAD | EFF | P. F. |
| 100% | 91.7 % | 0.80 |
| 75% | 91.6 % | 0.75 |
| 50% | 90.3 % | 0.64 |

| TORQUE | | |
|--------------|-------|-------|
| FULL LOAD | LRT | BDT |
| 29.74 lb.ft. | 373 % | 476 % |

| AMPERAGE INFORMATION | | |
|----------------------|--------|-------|
| | 230V | 460V |
| Full Load Amps | 18.73 | 9.37 |
| Locked Rotor Amps | 141.70 | 70.85 |
| No Load Current | 8.71 | 4.36 |

| BEARING INFORMATION | |
|---------------------|---------|
| DE Bearing | 6308 ZZ |
| ODE Bearing | 6306 ZZ |
| Grease Type | NS7 |

| ADDITIONAL DATA | |
|--------------------|--------------|
| Multi-Mount | Yes |
| Shaft Material | AISI 1040/45 |
| Connection Diagram | 9 Lead Wye |
| Approximate Weight | 45.5 kg |

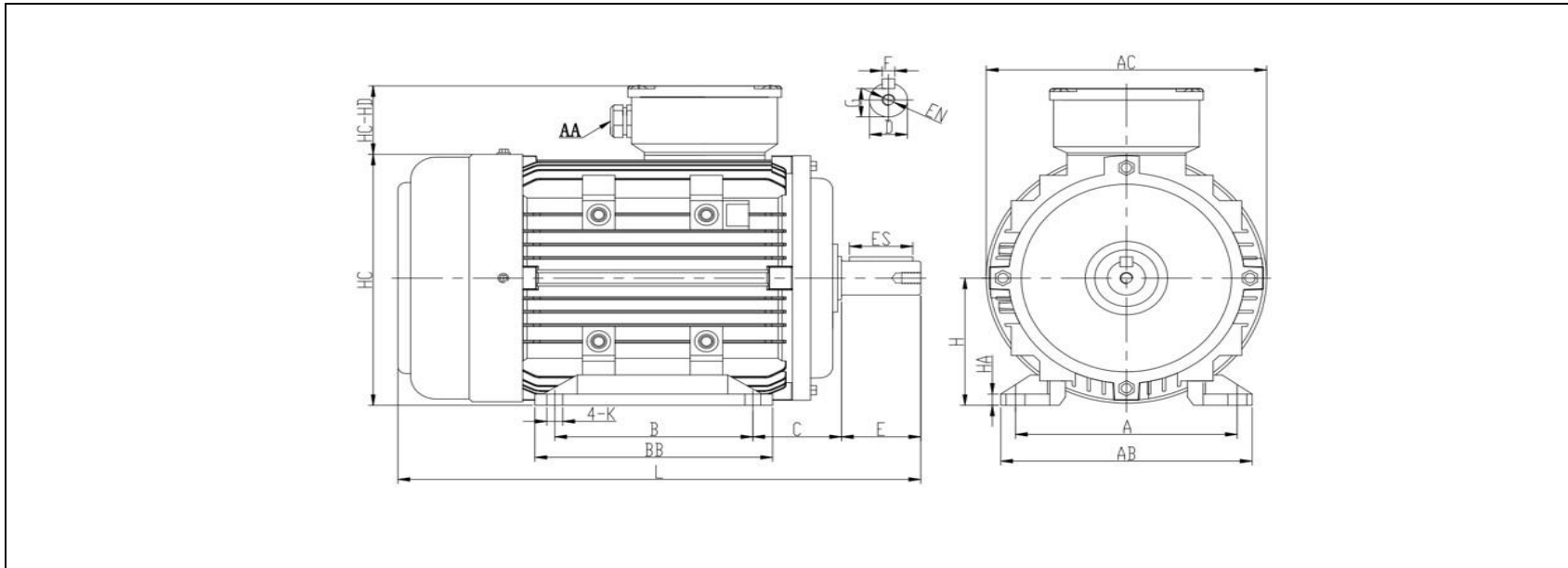
MOTOR DRAWING

Premium Efficiency Motor: **IEC7.5-18-132**

WorldWide Electric Corporation

1 (800) 808-2131

Worldwideelectric.net



DIMENSION - METRIC (mm)

| MOUNTING | | | | | L | H | HA | AC | HC | K |
|----------|-----|----|-----|-----|-------|-----|----|-----|-----|----|
| A | B | C | AB | BB | | | | | | |
| 216 | 140 | 89 | 268 | 185 | 454.5 | 132 | 17 | 234 | 249 | 12 |

| SHAFT & KEY | | | | | |
|-------------|----|----|----|----|----------|
| F | ES | G | E | D | EN |
| 10 | 63 | 33 | 80 | 38 | M12*30mm |

| TERMINAL BOX | |
|--------------|-------|
| AA | HD-HC |
| M32 | 80 |

PERFORMANCE CURVES

Premium Efficiency Motor:

IEC7.5-18-132

WorldWide Electric Corporation

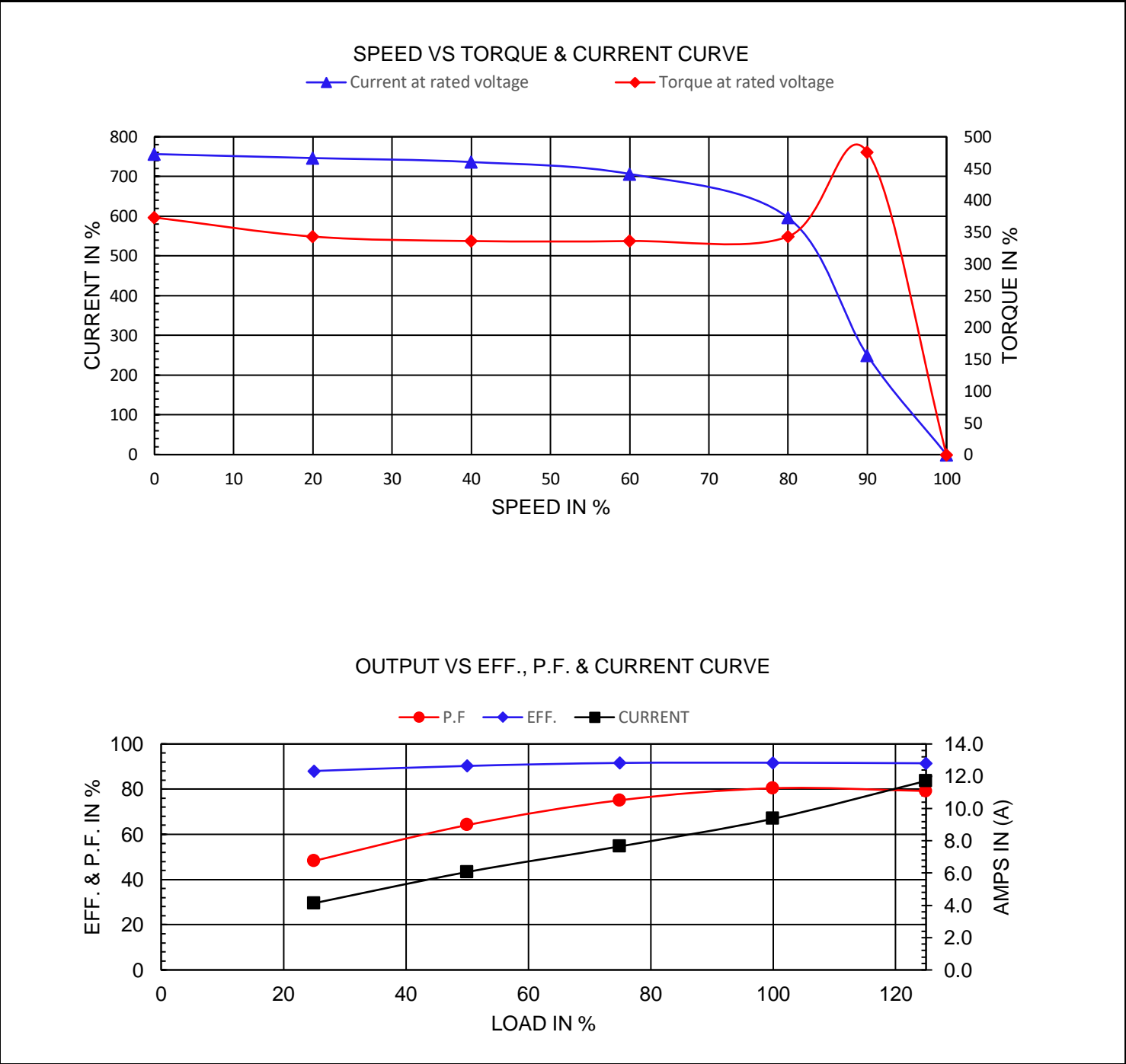
1 (800) 808-2131

Worldwideelectric.net



| | |
|---------------------------------|-----------|
| Document Generated: 14-Jul-2023 | Customer: |
| Document ID: | |

| | | | | | |
|-----------------------|---------------------------|------------|------|--------------|-------|
| Motor Type | | | | | |
| Output Rating (HP) | 7.5 | FL Speed | 1765 | | |
| Full Load Torque | 29.740 lb.ft | LRT (%FLT) | 373 | 460 volt FLA | 9.37 |
| Rotor Wk ² | 0.5808 lb-ft ² | BDT (%FLT) | 476 | 230 volt FLA | 18.73 |



NAMEPLATE / WIRING

Premium Efficiency Motor: **IEC7.5-18-132**

WorldWide Electric Corporation

1 (800) 808-2131

Worldwideelectric.net



Document Generated: 14-Jul-2023
Document ID:

Customer:

SAMPLE NAMEPLATE DATA

| | | | | | | | | | | | |
|------|----|------------------------------------|-------|------------------|---------|--|--------|----------------------------|----------|--|--|
| | | 3-PHASE INDUCTION MOTOR | | | | | | IE3 CE | | | |
| | | | | | | <small>ENERGY C US E309286</small> | | <small>IEC 60034-1</small> | | | |
| TYPE | | OUTPUT | | HP | kW | INS.F | FR. | IP55 | AMB.40°C | | |
| V | Hz | A | r/min | SF | IE CODE | η 100% | η 75% | η 50% | | | |
| | | | | | | | | | | | |
| | | | | | | | | | | | |
| | | | | Code " " at 60Hz | | | Duty | S1 | | | |
| | | | | DES | N | DE BRG | | | | | |
| | | | | IC | 411 | ODE BRG | | | | | |
| | | | | SN. | | Date | Weight | kg | | | |
| | | | | | | | | | | | |

| | | | | | | | | | |
|---------|---------------|-------------|--------|------|---------|-------|------|-------|------|
| TYPE | IEC7.5-18-132 | | OUTPUT | HP | 7.5 | kW | 5.59 | FRAME | 132S |
| V | Hz | A | r/min. | SF | IE CODE | η100% | η75% | η50% | |
| 190/380 | 50 | 22.34/11.17 | 1447 | 1.00 | IE3 | 89.6 | 90.8 | 90.7 | |
| 230/460 | 60 | 18.73/9.37 | 1765 | 1.15 | IE3 | 91.7 | 91.6 | 90.3 | |

| | | | | | | |
|-------|---|----------|---------|---------|--------|---------|
| Code" | J | "at 60Hz | DE BRG | 6308 ZZ | Weight | 45.5 kg |
| | | | ODE BRG | 6306 ZZ | | |