

# DATA SHEET

Premium Efficiency Motor: **IEC7.5-36-132-FF,**

**60 Hz**

WorldWide Electric Corporation

1 (800) 808-2131

Worldwideelectric.net



Document Generated: 17-Jul-2023  
Document ID:

Customer:

| MOTOR INFORMATION       |                             |
|-------------------------|-----------------------------|
| HP                      | 7.5                         |
| RPM                     | 3600                        |
| Phase                   | 3                           |
| Frequency               | 60                          |
| Voltage                 | 230/460                     |
| Frame Size              | 132S                        |
| Enclosure               | TEFC                        |
| Degree of Protection    | IP55                        |
| Service Factor          | 1.15                        |
| Poles                   | 2                           |
| Full Load Speed         | 3543                        |
| Insulation Class        | F                           |
| Temp Rise               | 80°C                        |
| NEMA Code Letter        | K                           |
| Duty Cycle              | S1                          |
| Slip                    | 1.60%                       |
| IEC Design              | N                           |
| Moment of Inertia       | 0.2875 lb.ft.^2             |
| Locked Rotor Time (Hot) | 12 seconds                  |
| Sound Pressure Level    | 91 dB(A)                    |
| Number of Starts        | 2 Hot / 3 Cold              |
| Max Ambient Temperature | 40° C                       |
| Max Elevation           | 1000 m.a.s.l (3300 f.a.s.l) |
| Mounting                | B35 - FF Flange with Feet   |
| Rotation                | Bidirectional               |
| Area of Classification  | Safe                        |
| Inverter Rating         | 10:1 CT/20:1 VT             |
| Standard                | IEC 60034 and IEC 60072     |
| Approvals               | UL, CE                      |

| EFFICIENCY/POWER FACTOR |        |       |
|-------------------------|--------|-------|
| LOAD                    | EFF    | P. F. |
| 100%                    | 89.5 % | 0.87  |
| 75%                     | 91.2 % | 0.83  |
| 50%                     | 90.0 % | 0.74  |

| TORQUE       |       |       |
|--------------|-------|-------|
| FULL LOAD    | LRT   | BDT   |
| 14.73 lb.ft. | 501 % | 663 % |

| AMPERAGE INFORMATION |        |       |
|----------------------|--------|-------|
|                      | 230V   | 460V  |
| Full Load Amps       | 17.53  | 8.77  |
| Locked Rotor Amps    | 163.34 | 81.67 |
| No Load Current      | 6.57   | 3.28  |

| BEARING INFORMATION |         |
|---------------------|---------|
| DE Bearing          | 6308 ZZ |
| ODE Bearing         | 6306 ZZ |
| Grease Type         | NS7     |

| ADDITIONAL DATA    |              |
|--------------------|--------------|
| Multi-Mount        | Yes          |
| Shaft Material     | AISI 1040/45 |
| Connection Diagram | 9 Lead Wye   |
| Approximate Weight | 45 kg        |

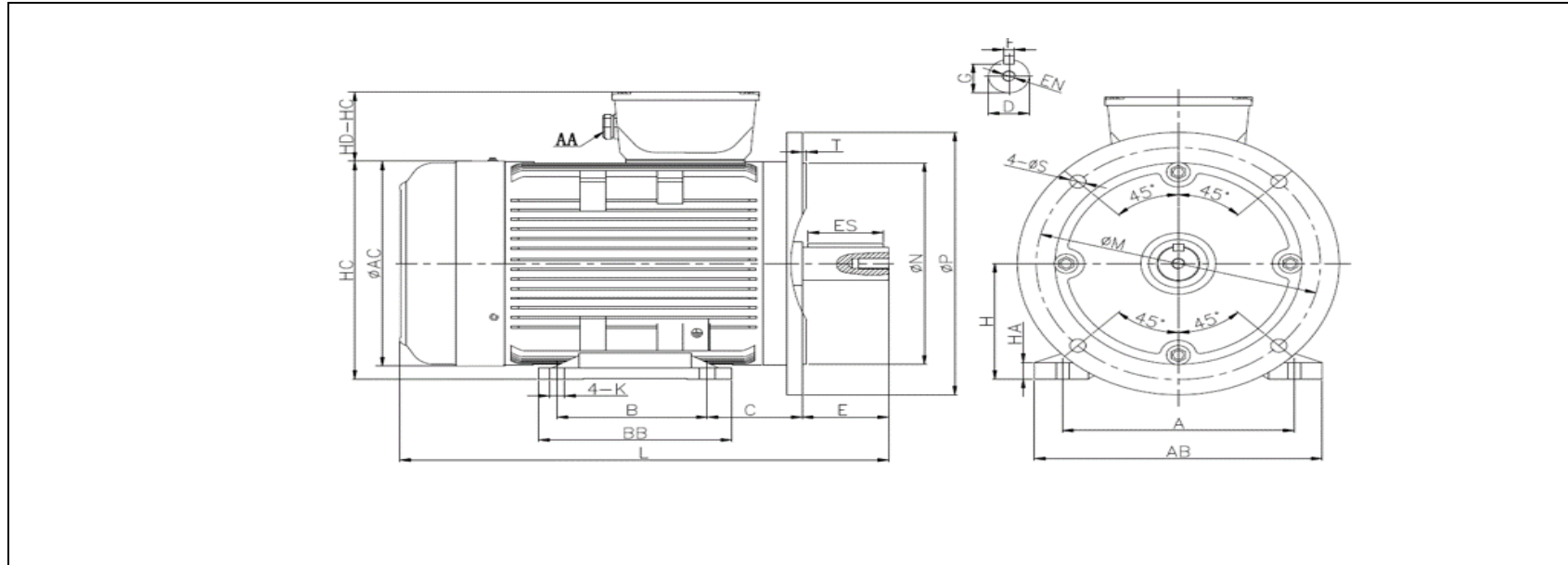
# MOTOR DRAWING

Premium Efficiency Motor: IEC7.5-36-132-FF

WorldWide Electric Corporation

1 (800) 808-2131

Worldwideelectric.net



## DIMENSION - METRIC (mm)

| MOUNTING |     |    |    | AB  | BB  | L   | H   | HA | AC  | HC  |
|----------|-----|----|----|-----|-----|-----|-----|----|-----|-----|
| A        | B   | C  | K  |     |     |     |     |    |     |     |
| 216      | 140 | 89 | 12 | 268 | 185 | 467 | 132 | 17 | 234 | 249 |

| SHAFT & KEY |    |    |    |    |          |
|-------------|----|----|----|----|----------|
| F           | ES | G  | E  | D  | EN       |
| 10          | 70 | 33 | 80 | 38 | M12*30mm |

| TERMINAL BOX |       |
|--------------|-------|
| AA           | HD-HC |
| M32          | 80    |

| FLANGE |     |   |     |          |
|--------|-----|---|-----|----------|
| N      | P   | T | M   | S        |
| 230    | 300 | 4 | 265 | 4*14.5mm |

# PERFORMANCE CURVES

WorldWide Electric Corporation

1 (800) 808-2131

Worldwideelectric.net



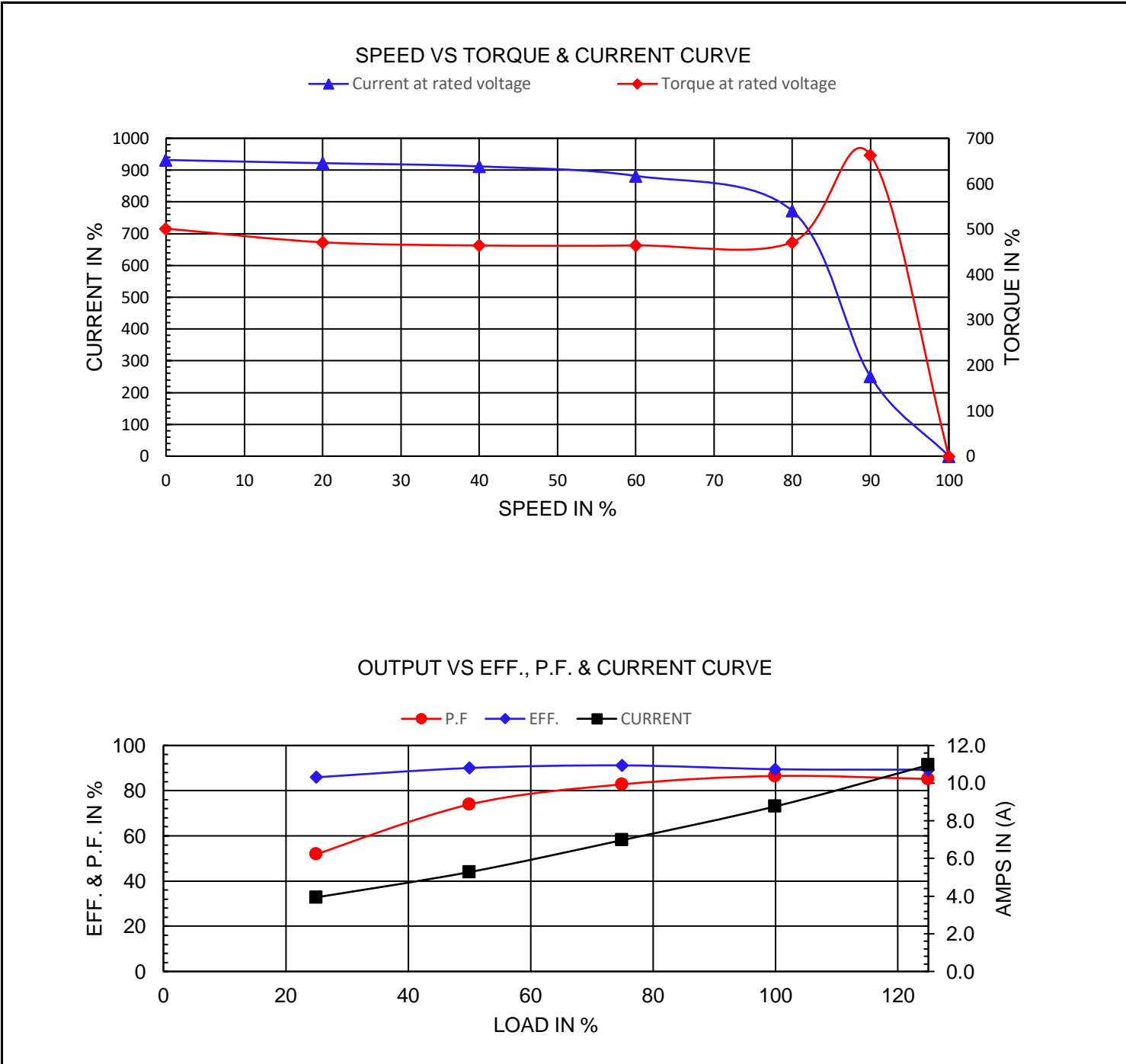
Premium Efficiency Motor:

**IEC7.5-36-132-FF**

Document Generated: 17-Jul-2023  
Document ID:

Customer:

|                       |                           |            |      |              |       |
|-----------------------|---------------------------|------------|------|--------------|-------|
| Motor Type            |                           |            |      |              |       |
| Output Rating (HP)    | 7.5                       | FL Speed   | 3543 |              |       |
| Full Load Torque      | 14.730 lb.ft              | LRT (%FLT) | 501  | 460 volt FLA | 8.77  |
| Rotor Wk <sup>2</sup> | 0.2875 lb-ft <sup>2</sup> | BDT (%FLT) | 663  | 230 volt FLA | 17.53 |



# NAMEPLATE / WIRING

Premium Efficiency Motor: **IEC7.5-36-132-FF**

WorldWide Electric Corporation

1 (800) 808-2131

Worldwideelectric.net



Document Generated: 17-Jul-2023  
Document ID:

Customer:

## SAMPLE NAMEPLATE DATA

|      |    |                                    |       |                  |         |         |        |               |          |  |  |
|------|----|------------------------------------|-------|------------------|---------|---------|--------|---------------|----------|--|--|
|      |    | <b>3-PHASE<br/>INDUCTION MOTOR</b> |       |                  |         |         |        | <b>IE3 CE</b> |          |  |  |
|      |    | CC306B                             |       |                  |         |         |        | IEC 60034-1   |          |  |  |
| TYPE |    | OUTPUT                             |       | HP               | kW      | INS.F   | FR.    | IP55          | AMB.40°C |  |  |
| V    | Hz | A                                  | r/min | SF               | IE CODE | η 100%  | η 75%  | η 50%         |          |  |  |
|      |    |                                    |       |                  |         |         |        |               |          |  |  |
|      |    |                                    |       | Code " " at 60Hz |         |         | Duty   | S1            |          |  |  |
|      |    |                                    |       | DES              | N       | DE BRG  |        |               |          |  |  |
|      |    |                                    |       | IC               | 411     | ODE BRG |        |               |          |  |  |
|      |    |                                    |       | SN.              |         | Date    | Weight | kg            |          |  |  |
|      |    |                                    |       |                  |         |         |        |               |          |  |  |

|         |                  |            |        |      |         |       |       |      |
|---------|------------------|------------|--------|------|---------|-------|-------|------|
| TYPE    | IEC7.5-36-132-FF | OUTPUT     | HP     | 7.5  | kW      | 5.59  | FRAME | 132S |
| V       | Hz               | A          | r/min. | SF   | IE CODE | η100% | η75%  | η50% |
| 190/380 | 50               | 21.1/10.55 | 2919   | 1.00 | IE3     | 89.2  | 90.5  | 90.6 |
| 230/460 | 60               | 17.53/8.77 | 3543   | 1.15 | IE3     | 89.5  | 91.2  | 90.0 |

|       |   |          |         |         |        |       |
|-------|---|----------|---------|---------|--------|-------|
| Code" | K | "at 60Hz | DE BRG  | 6308 ZZ | Weight | 45 kg |
|       |   |          | ODE BRG | 6306 ZZ |        |       |