

# DATA SHEET

Premium Efficiency Motor: **IEC7.5-36-132,**

**60 Hz**

WorldWide Electric Corporation

1 (800) 808-2131

Worldwideelectric.net



Document Generated: 14-Jul-2023  
Document ID:

Customer:

MOTOR INFORMATION	
HP	7.5
RPM	3600
Phase	3
Frequency	60
Voltage	230/460
Frame Size	132S
Enclosure	TEFC
Degree of Protection	IP55
Service Factor	1.15
Poles	2
Full Load Speed	3543
Insulation Class	F
Temp Rise	80°C
NEMA Code Letter	K
Duty Cycle	S1
Slip	1.60%
IEC Design	N
Moment of Inertia	0.2875 lb.ft.^2
Locked Rotor Time (Hot)	12 seconds
Sound Pressure Level	91 dB(A)
Number of Starts	2 Hot / 3 Cold
Max Ambient Temperature	40° C
Max Elevation	1000 m.a.s.l (3300 f.a.s.l)
Mounting	F3
Rotation	Bidirectional
Area of Classification	Safe
Inverter Rating	10:1 CT/20:1 VT
Standard	IEC 60034 and IEC 60072
Approvals	UL, CE

EFFICIENCY/POWER FACTOR		
LOAD	EFF	P. F.
100%	89.5 %	0.87
75%	91.2 %	0.83
50%	90.0 %	0.74

TORQUE		
FULL LOAD	LRT	BDT
14.73 lb.ft.	501 %	663 %

AMPERAGE INFORMATION		
	230V	460V
Full Load Amps	17.53	8.77
Locked Rotor Amps	163.34	81.67
No Load Current	6.57	3.28

BEARING INFORMATION	
DE Bearing	6308 ZZ
ODE Bearing	6306 ZZ
Grease Type	NS7

ADDITIONAL DATA	
Multi-Mount	Yes
Shaft Material	AISI 1040/45
Connection Diagram	9 Lead Wye
Approximate Weight	41.7 kg

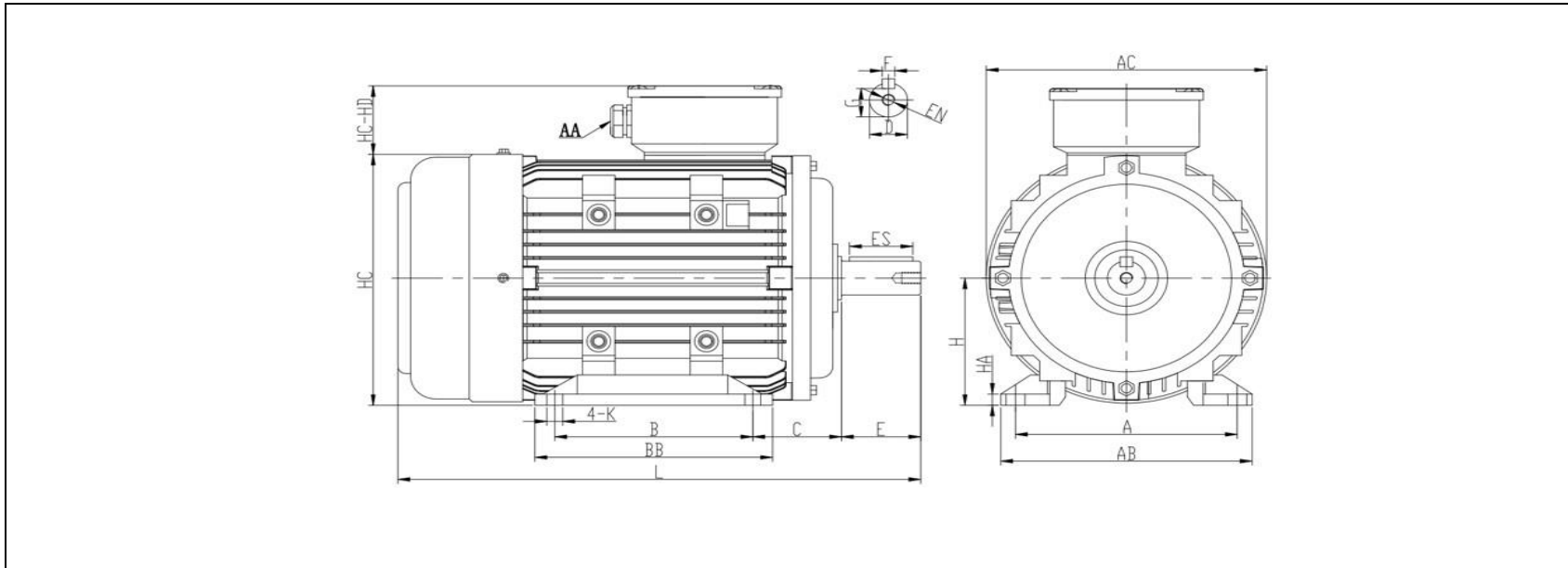
# MOTOR DRAWING

Premium Efficiency Motor: **IEC7.5-36-132**

WorldWide Electric Corporation

1 (800) 808-2131

Worldwideelectric.net



## DIMENSION - METRIC (mm)

MOUNTING					L	H	HA	AC	HC	K
A	B	C	AB	BB						
216	140	89	268	185	454.5	132	17	234	249	12

SHAFT & KEY					
F	ES	G	E	D	EN
10	63	33	80	38	M12*30mm

TERMINAL BOX	
AA	HD-HC
M32	80

# PERFORMANCE CURVES

Premium Efficiency Motor:

**IEC7.5-36-132**

WorldWide Electric Corporation

1 (800) 808-2131

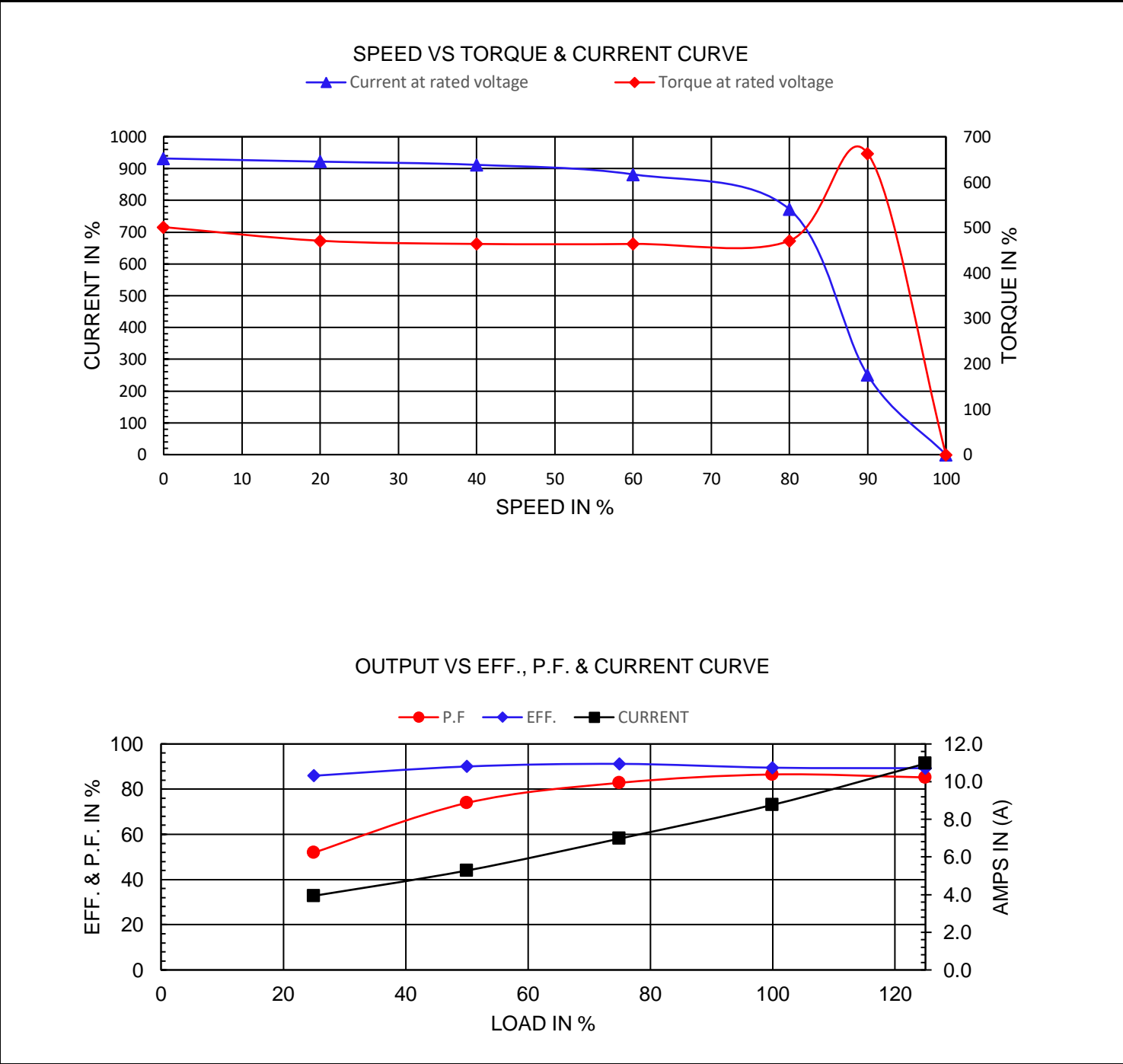
Worldwideelectric.net



Document Generated: 14-Jul-2023  
Document ID:

Customer:

Motor Type					
Output Rating (HP)	7.5	FL Speed	3543		
Full Load Torque	14.730 lb.ft	LRT (%FLT)	501	460 volt FLA	8.77
Rotor Wk <sup>2</sup>	0.2875 lb-ft <sup>2</sup>	BDT (%FLT)	663	230 volt FLA	17.53



# NAMEPLATE / WIRING

Premium Efficiency Motor: **IEC7.5-36-132**

WorldWide Electric Corporation

1 (800) 808-2131

Worldwideelectric.net



Document Generated: 14-Jul-2023  
Document ID:

Customer:

## SAMPLE NAMEPLATE DATA

		<b>3-PHASE INDUCTION MOTOR</b>						<b>IE3 CE</b>			
		CC306B						IEC 60034-1			
TYPE		OUTPUT		HP	kW	INS.F	FR.	IP55	AMB.40°C		
V	Hz	A	r/min	SF	IE CODE	η 100%	η 75%	η 50%			
				Code " " at 60Hz			Duty		S1		
DES		N		DE BRG							
IC		411		ODE BRG							
SN.		Date		Weight		kg					

TYPE	IEC7.5-36-132		OUTPUT	HP	7.5	kW	5.59	FRAME	132S
V	Hz	A	r/min.	SF	IE CODE	η100%	η75%	η50%	
190/380	50	21.1/10.55	2919	1.00	IE3	89.2	90.5	90.6	
230/460	60	17.53/8.77	3543	1.15	IE3	89.5	91.2	90.0	

Code"	K	"at 60Hz	DE BRG	6308 ZZ	Weight	41.7 kg
			ODE BRG	6306 ZZ		