



WORLDWIDE ELECTRIC MOTOR DATA SHEET



ODP200-36-444TS

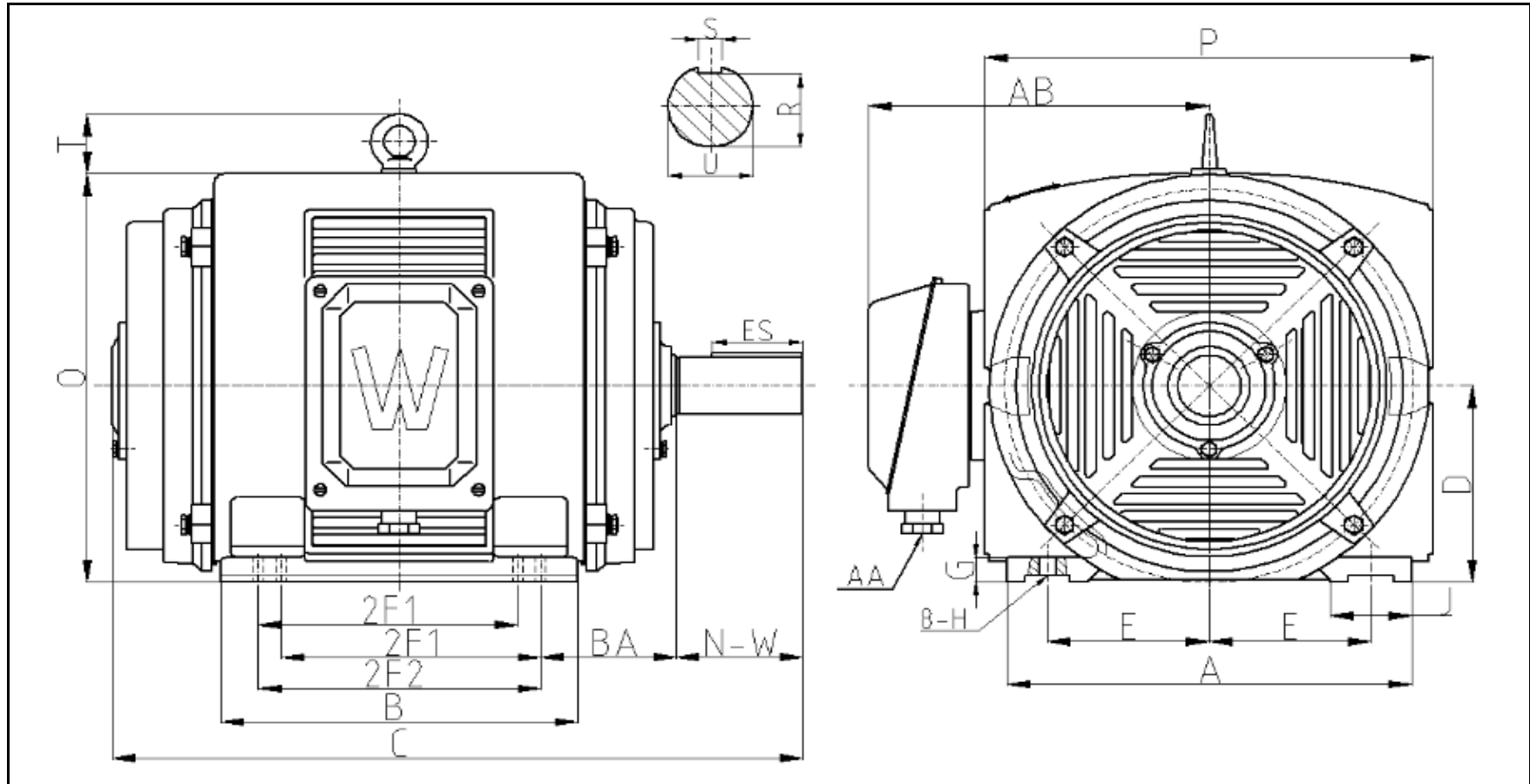
HORSEPOWER	200		
RPM / POLES	3600 / 2		
VOLTAGE / PHASE	208 - 230 / 460 V / 3		
FRAME	444TS		
ENCLOSURE / DEGREE OF PROTECTION	ODP / IP23		
FREQUENCY	60 HZ Suitable For 50 HZ Operation With 1.0 SF		
FULL LOAD SPEED	3572 RPM		
SERVICE FACTOR	1.15 SF 60HZ / 1.0 SF at 50HZ		
INSULATION CLASS	F		
FULL LOAD AMPS; 230 / 460	538.8 / 219.4 A		
LOCKED ROTOR AMPS (STARTING); 230 / 460	2820 / 1410 A		
NO LOAD CURRENT	63.0 / 31.5 A		
NEMA CODE LETTER	G		
EFFICIENCY / POWER FACTOR	<u>LOAD</u>	<u>EFF.</u>	<u>P.F.</u>
	100%	95.0%	0.91
	75%	94.7%	0.91
	50%	94.3%	0.90
DUTY CYCLE	S1 / Continuous		
TORQUE	<u>FULL LOAD</u>	<u>LRT</u>	<u>BDT</u>
	294.7lb.ft.	186%	257%
SLIP	0.771%		
NEMA DESIGN	B		
NUMBER OF STARTS (Hot / Cold)	2 Hot / 3 Cold		
MAX. AMBIENT TEMPERATURE	40° C		
MAX. ELEVATION	3300 Ft. Above Sea Level		
TEMPERATURE RISE (At Full Load)	80° C		
DE BEARING	6320		
ODE BEARING	6316		
GREASE TYPE	Mobil Polyrex EM		
MOUNTING	F1 / F2 Suitable		
ROTATION	Bi-Directional		
APPROXIMATE WEIGHT	lbs.		
AREA CLASSIFICATION	Non-Hazardous		
INVERTER RATING	10:1 CT / 20:1 VT PWM Type		
SPECIFICATION - In Accordance With	NEMA, UR		



AUGUST 21, 2020

WORLDWIDE ELECTRIC MOTOR DRAWING

ODP-444TS



MOUNTING									
E	2F1	2F2	H	BA	A	B	C	D	G
9	14.5	16.5	0.81	7.5	21.9	22.9	35.7	11	1.37

KEYSET	KEY									
R	ES	S	U	N-W	P	AB	AA	O	J	T
2.021	3.03	0.625	2.375	4.75	23.42	20.6	3	22.7	4.33	3

ALL DIMENSIONS IN INCHES