

# DATA SHEET

Premium Efficiency Motor: **PEWWE1-18-143JP**

**60 Hz**

WorldWide Electric Corporation

1 (800) 808-2131

Worldwideelectric.net



Document Generated: 16-Feb-2023  
Document ID:

Customer:

MOTOR INFORMATION	
HP	1
RPM	1800
Phase	3
Frequency	60 Hz
Voltage	230/460 V
Frame Size	143JP
Enclosure	TEFC
Degree of Protection	IP55
Service Factor	1.25
Poles	4
Full Load Speed	1755
Insulation Class	F
Temp Rise	80°C
NEMA Code Letter	N
Duty Cycle	S1 / Continuous
Slip	2.50%
NEMA Design	B
Moment of Inertia	0.0809 lb.ft.^2
Locked Rotor Time (Hot)	12 seconds
Sound Pressure Level	60 dB(A)
Number of Starts	2 Cold/1 Hot
Max Ambient Temperature	40°C
Max Elevation	1000 m.a.s.l (3300 f.a.s.l)
Mounting	F1
Rotation	Bi-Directional
Area of Classification	Class I, Division 2, Groups A, B, C, D
Inverter Rating	10:1 CT / 20:1 VT PWM Type
Standard	NEMA MG-1
Approvals	CSA-US, CE

EFFICIENCY/POWER FACTOR		
LOAD	EFF	P. F.
100%	85.5 %	0.67
75%	84.5 %	0.60
50%	81.0 %	0.47

TORQUE		
FULL LOAD	LRT	BDT
2.99 lb.ft.	300 %	420 %

AMPERAGE INFORMATION		
	230V	460V
Full Load Amps	3.27A	1.63A
Locked Rotor Amps	30A	15A
No Load Current	2.2A	1.1A
Usable at 208V	3.61A	

BEARING INFORMATION	
DE Bearing	6206ZZ C3
ODE Bearing	6205ZZ C3
Grease Type	--
DE Regreasing Interval	- Hours
ODE Regreasing Interval	- Hours

ADDITIONAL DATA	
F2 Suitable	Yes
Shaft Material	1045 Carbon Steel
Connection Diagram	230 / 460 V - 9 Lead Y
Approximate Weight	39.2 lbs.

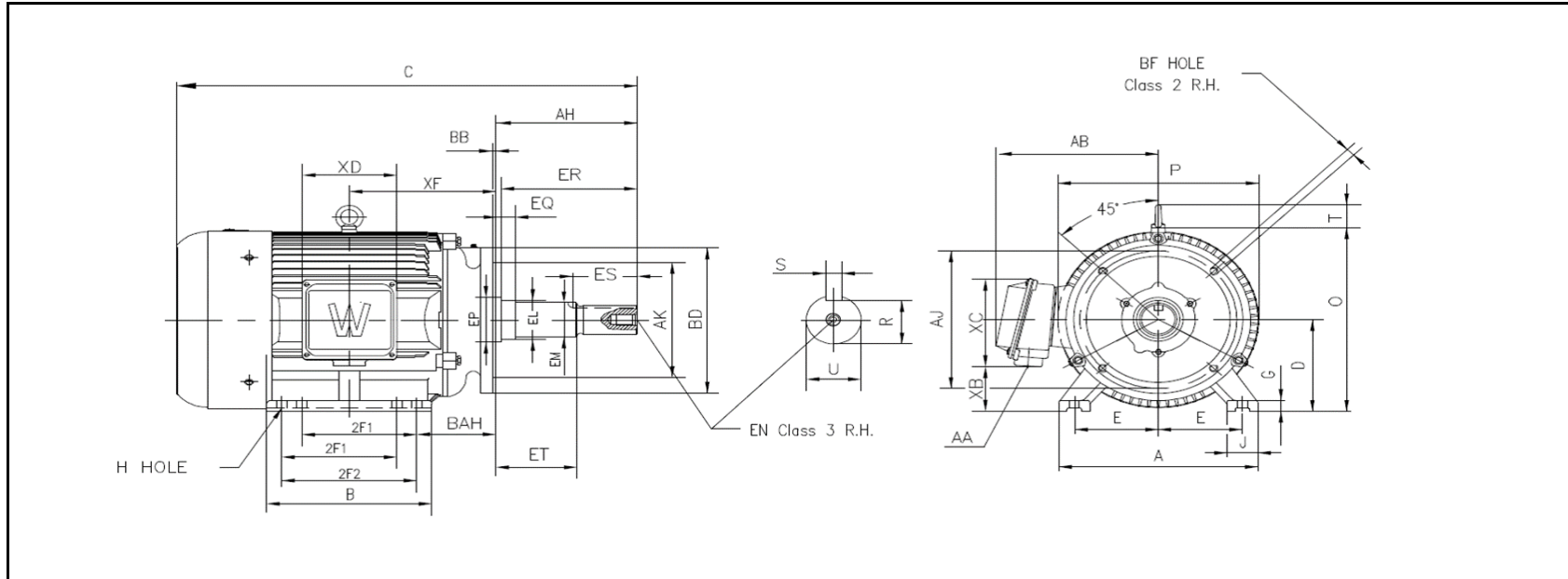
# MOTOR DRAWING

Premium Efficiency Motor: **PEWWE1-18-143JP**

WorldWide Electric Corporation

1 (800) 808-2131

Worldwideelectric.net



## DIMENSION - INCHES

MOUNTING					A	B	C	D	G	J	P	O	T	AB
E	2F1	2F	H	BAH										
2.75	4	--	0.34	2.87	7	5.6	18.2	3.5	0.43	1	7.8	7.6	1.42	6.7

SHAFT & KEY												
S	ES	R	AH	EQ	ET	EM	EL	EP	ER	EN	U	
0.188	1.65	0.768	7.31	1.563	5.937	1	1.155	1.181	7.42	3/8-16	0.874	

FLANGE				
AJ	AK	BB	BD	BF
5.875	4.5	0.156	6.6	3/8-16

TERMINAL BOX				
AA	XB	XC	XD	XF
3/4	1.61	4.6	4.1	4.87

# PERFORMANCE CURVES

WorldWide Electric Corporation

1 (800) 808-2131

Worldwideelectric.net



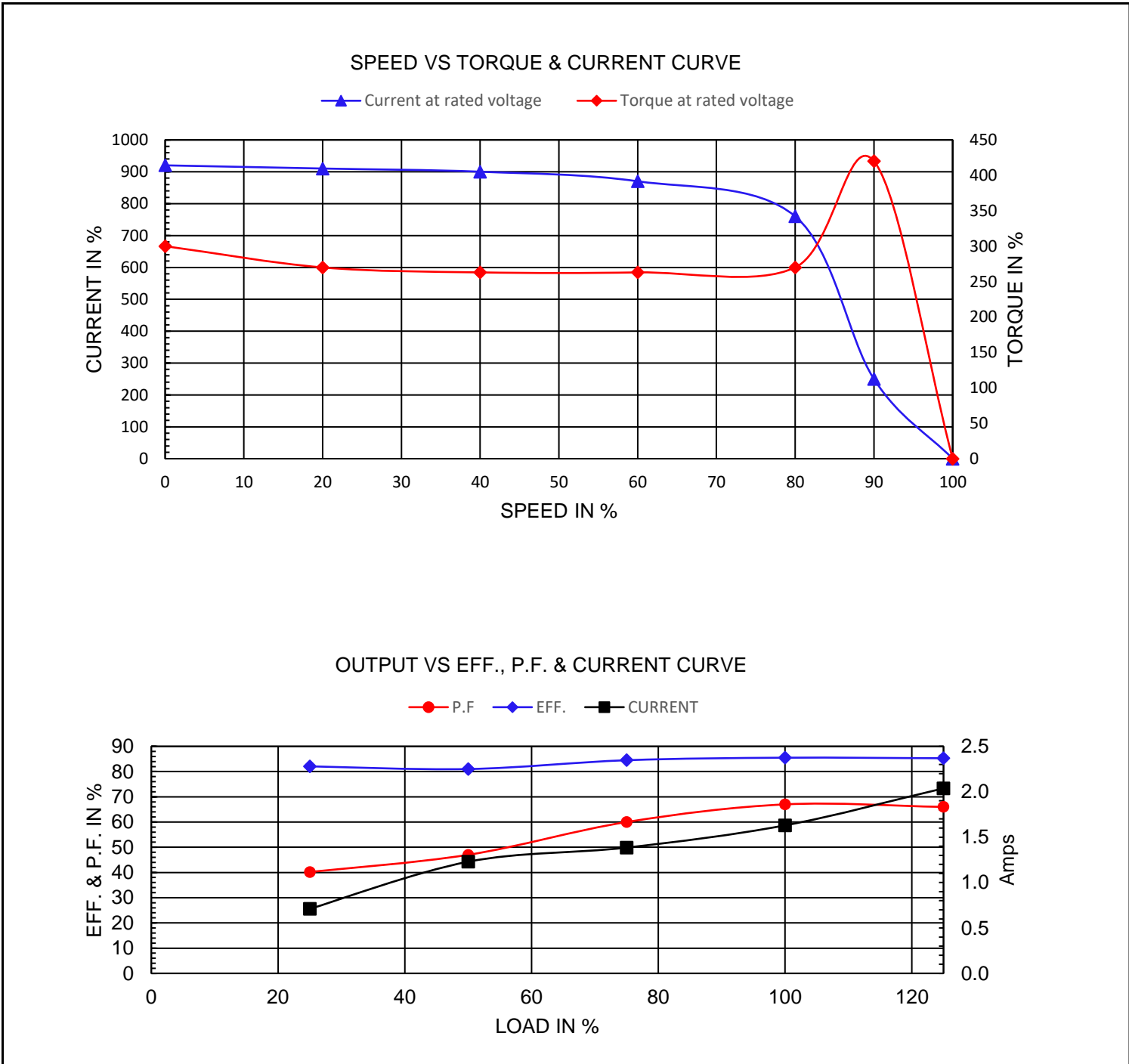
Premium Efficiency Motor:

**PEWWE1-18-143JP**

Document Generated: 16-Feb-2023  
 Document ID:

Customer:

Motor Type	PEWWE		FL Speed	1755		
Output Rating (HP)	1		LRT (%FLT)	300	460 volt FLA	1.63
Full Load Torque	2.99	lb.ft	BDT (%FLT)	420	230 volt FLA	3.27
Rotor Wk <sup>2</sup>	0.0809	lb-ft <sup>2</sup>				



# NAMEPLATE / WIRING

WorldWide Electric Corporation

1 (800) 808-2131

Worldwideelectric.net



**WORLDWIDE**  
ELECTRIC CORPORATION

Premium Efficiency Motor:

**PEWWE1-18-143JP**

Document Generated: 16-Feb-2023  
Document ID:

Customer:

## SAMPLE NAMEPLATE DATA

		<b>NEMA Premium</b>		3-PHASE INDUCTION MOTOR		259277 		CC006A												
Model		Ser No.		Low Voltage		<table border="1"> <tr><td>4</td><td>5</td><td>6</td></tr> <tr><td>7</td><td>8</td><td>9</td></tr> <tr><td>1</td><td>2</td><td>3</td></tr> <tr><td>L1</td><td>L2</td><td>L3</td></tr> </table>			4	5	6	7	8	9	1	2	3	L1	L2	L3
4	5	6																		
7	8	9																		
1	2	3																		
L1	L2	L3																		
HP		S.F.		IP		Encl														
Frame		P.F.		Code		Type														
Voltage	230/460	Hz		Ins Cl		Rating	°C Amb Cont													
Amps		RPM		Design		Date														
Nom.Eff.	FL	% 3/4	%	230/460V	10:1 CT	20:1 VT	PWM VFD	1.0SF												
Class I DIV. 2 Groups A B C D				Amb.40°C	T3C(160°C)	DE Brng														
Class I Zone 2 IIC				Amb.55°C	T3A(180°C)	ODE Brng														
						Grease type:														
50Hz		HP	V	A	rpm	S.F.1.0														
<b>WorldWide Electric Corporation</b>																				

Model	PEWWE1-18-143JP							
HP	1	S.F.	1.25	IP	IP55	Encl	TEFC	
Frame	143JP	P.F.	0.67	Code	N	Type		
Voltage	230/460 V	Hz	60 Hz	Ins Cl	F	Ambient	40°C	
Amps	3.27/1.63	RPM	1755	Design	B	DE Brng	6206ZZ C3	
Nom.Eff.	FL	85.5%	3/4	84.5%		ODE Brng	6205ZZ C3	
						Grease type:	--	
50Hz		1 HP	200/400 V	4.04/2.02 A	1450 rpm			