

DATA SHEET

Premium Efficiency Motor: **PEWWE10-18-215JP**

60 Hz

WorldWide Electric Corporation

1 (800) 808-2131

Worldwideelectric.net



Document Generated: 16-Feb-2023
Document ID:

Customer:

MOTOR INFORMATION	
HP	10
RPM	1800
Phase	3
Frequency	60 Hz
Voltage	230/460 V
Frame Size	215JP
Enclosure	TEFC
Degree of Protection	IP55
Service Factor	1.25
Poles	4
Full Load Speed	1760
Insulation Class	F
Temp Rise	80°C
NEMA Code Letter	H
Duty Cycle	S1 / Continuous
Slip	2.22%
NEMA Design	B
Moment of Inertia	0.75 lb.ft.^2
Locked Rotor Time (Hot)	13 seconds
Sound Pressure Level	64 dB(A)
Number of Starts	2 Cold/1 Hot
Max Ambient Temperature	40°C
Max Elevation	1000 m.a.s.l (3300 f.a.s.l)
Mounting	F1
Rotation	Bi-Directional
Area of Classification	Class I, Division 2, Groups A, B, C, D
Inverter Rating	10:1 CT / 20:1 VT PWM Type
Standard	NEMA MG-1
Approvals	CSA-US, CE

EFFICIENCY/POWER FACTOR		
LOAD	EFF	P. F.
100%	91.7 %	0.84
75%	91.9 %	0.79
50%	91.6 %	0.69

TORQUE		
FULL LOAD	LRT	BDT
29.8 lb.ft.	170 %	280 %

AMPERAGE INFORMATION		
	230V	460V
Full Load Amps	24.3A	12.2A
Locked Rotor Amps	162A	81A
No Load Current	10A	5A
Usable at 208V	26.9A	

BEARING INFORMATION	
DE Bearing	6309ZZ C3
ODE Bearing	6207ZZ C3
Grease Type	--
DE Regreasing Interval	- Hours
ODE Regreasing Interval	- Hours

ADDITIONAL DATA	
F2 Suitable	No
Shaft Material	1045 Carbon Steel
Connection Diagram	230 / 460 V - 9 Lead Δ
Approximate Weight	179 lbs.

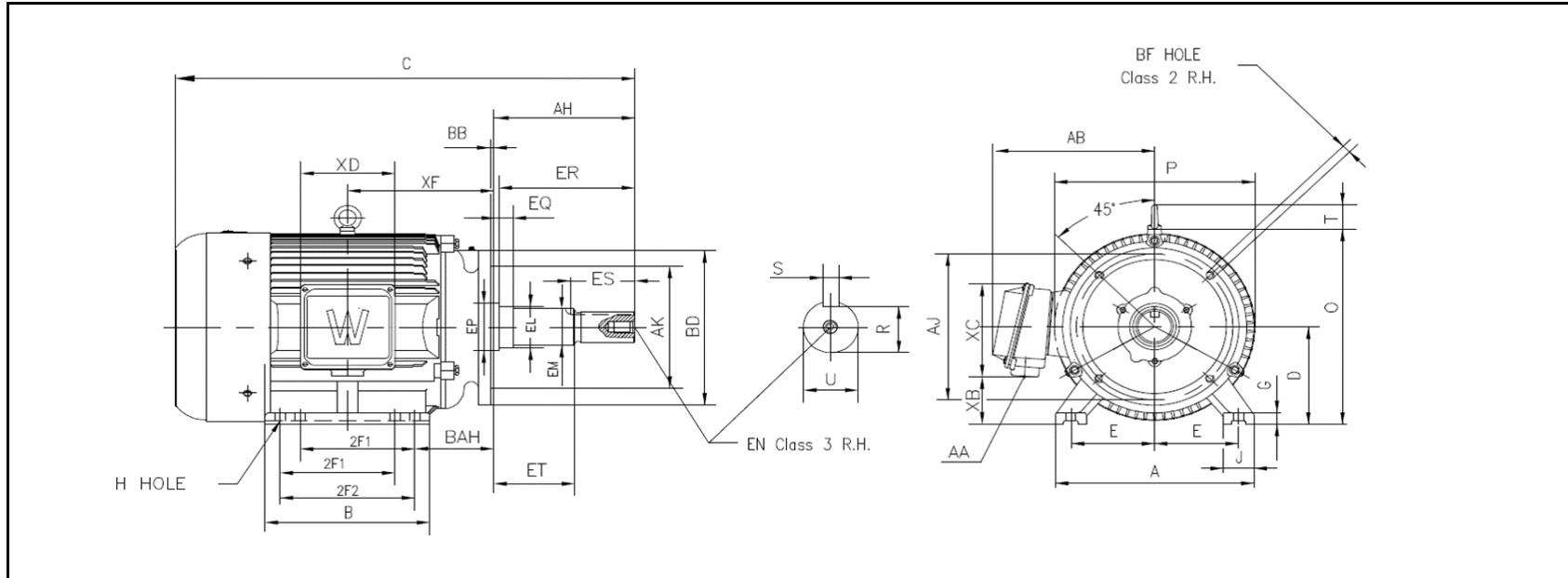
MOTOR DRAWING

Premium Efficiency Motor: **PEWWE10-18-215JP**

WorldWide Electric Corporation

1 (800) 808-2131

Worldwideelectric.net



DIMENSION - INCHES

MOUNTING					A	B	C	D	G	J	P	O	T	AB
E	2F1	2F	H	BAH										
4.25	5.5	7	0.41	4.5	10.5	9	25.5	5.25	0.71	2.4	10.4	10.6	1.73	8.5

SHAFT & KEY												
S	ES	R	AH	EQ	ET	EM	EL	EP	ER	EN	U	
0.25	2.6	1.11	8.125	2.375	5.875	1.375	1.75	1.772	8.37	1/2-13	1.249	

FLANGE				
AJ	AK	BB	BD	BF
7.25	8.5	0.275	8.9	1/2-13

TERMINAL BOX				
AA	XB	XC	XD	XF
1	3.3	5.1	4.6	8

PERFORMANCE CURVES

WorldWide Electric Corporation

1 (800) 808-2131

Worldwideelectric.net



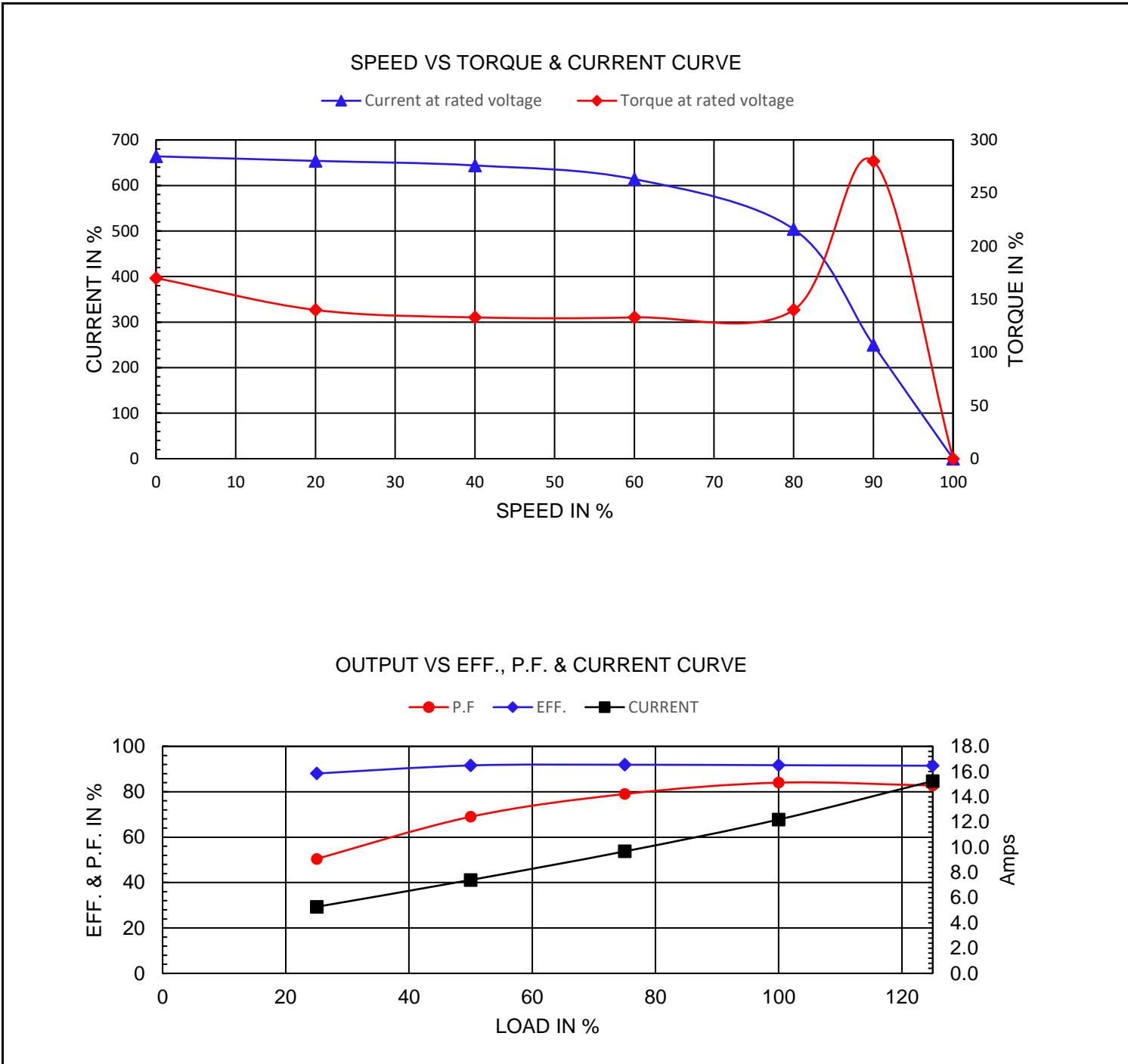
Premium Efficiency Motor:

PEWWE10-18-215JP

Document Generated: 16-Feb-2023
 Document ID:

Customer:

Motor Type	PEWWE				
Output Rating (HP)	10	FL Speed	1760		
Full Load Torque	29.8 lb.ft	LRT (%FLT)	170	460 volt FLA	12.2
Rotor Wk ²	0.75 lb-ft ²	BDT (%FLT)	280	230 volt FLA	24.3



NAMEPLATE / WIRING

WorldWide Electric Corporation

1 (800) 808-2131

Premium Efficiency Motor:

PEWWE10-18-215JP

Worldwideelectric.net



Document Generated: 16-Feb-2023
Document ID:

Customer:

SAMPLE NAMEPLATE DATA

		NEMA Premium		3-PHASE INDUCTION MOTOR		259277 	 CC006A												
Model			Ser No.			Low Voltage													
HP		S.F.		IP		Encl													
Frame		P.F.		Code		Type													
Voltage	230/460	Hz		Ins Cl		Rating	°C Amb Cont												
Amps		RPM		Design		Date													
Nom.Eff.	FL	% 3/4	% 230/460V	10:1 CT 20:1 VT PWM VFD	1.0SF	High Voltage													
				DE Brng	<table border="1"> <tr><td>6</td><td>4</td><td>5</td></tr> <tr><td>7</td><td>8</td><td>9</td></tr> <tr><td>1</td><td>2</td><td>3</td></tr> <tr><td>L1</td><td>L2</td><td>L3</td></tr> </table>			6	4	5	7	8	9	1	2	3	L1	L2	L3
6	4	5																	
7	8	9																	
1	2	3																	
L1	L2	L3																	
Class I DIV. 2 Groups A B C D		Amb.40°C	T3C(160°C)	ODE Brng		<table border="1"> <tr><td>4</td><td>5</td><td>6</td></tr> <tr><td>7</td><td>8</td><td>9</td></tr> <tr><td>1</td><td>2</td><td>3</td></tr> <tr><td>L1</td><td>L2</td><td>L3</td></tr> </table>		4	5	6	7	8	9	1	2	3	L1	L2	L3
4	5	6																	
7	8	9																	
1	2	3																	
L1	L2	L3																	
Class I Zone 2 IIC		Amb.55°C	T3A(180°C)	Grease type:															
50Hz		HP	V	A	rpm	S.F1.0													
WorldWide Electric Corporation																			

Model	PEWWE10-18-215JP						
HP	10	S.F.	1.25	IP	IP55	Encl	TEFC
Frame	215JP	P.F.	0.84	Code	H	Type	
Voltage	230/460 V	Hz	60 Hz	Ins Cl	F	Ambient	40°C
Amps	24.3/12.2	RPM	1760	Design	B	DE Brng	6309ZZ C3
Nom.Eff.	FL	91.7%	3/4	91.9%		ODE Brng	6207ZZ C3
						Grease type:	--
50Hz		10 HP	200/400 V	28.9/14.5 A	1455 rpm		