

DATA SHEET

Premium Efficiency Motor: **PEWWE3-36-182JP**

60 Hz

WorldWide Electric Corporation

1 (800) 808-2131

Worldwideelectric.net



Document Generated: 16-Feb-2023

Document ID:

Customer:

MOTOR INFORMATION

HP	3
RPM	3600
Phase	3
Frequency	60 Hz
Voltage	230/460 V
Frame Size	182JP
Enclosure	TEFC
Degree of Protection	IP55
Service Factor	1.25
Poles	2
Full Load Speed	3490
Insulation Class	F
Temp Rise	80°C
NEMA Code Letter	K
Duty Cycle	S1 / Continuous
Slip	3.06%
NEMA Design	B
Moment of Inertia	0.124 lb.ft. ²
Locked Rotor Time (Hot)	17 seconds
Sound Pressure Level	64 dB(A)
Number of Starts	2 Cold/1 Hot
Max Ambient Temperature	40°C
Max Elevation	1000 m.a.s.l (3300 f.a.s.l)
Mounting	F1
Rotation	Bi-Directional
Area of Classification	Class I, Division 2, Groups A, B, C, D
Inverter Rating	10:1 CT / 20:1 VT PWM Type
Standard	NEMA MG-1
Approvals	CSA-US, CE

EFFICIENCY/POWER FACTOR

LOAD	EFF	P. F.
100%	86.5 %	0.85
75%	87.0 %	0.78
50%	85.5 %	0.66

TORQUE

FULL LOAD	LRT	BDT
4.51 lb.ft.	200 %	340 %

AMPERAGE INFORMATION

	230V	460V
Full Load Amps	7.64A	3.82A
Locked Rotor Amps	64A	32A
No Load Current	3.7A	1.85A
Usable at 208V	8.45A	

BEARING INFORMATION

DE Bearing	6307ZZ C3
ODE Bearing	6206ZZ C3
Grease Type	--
DE Regreasing Interval	- Hours
ODE Regreasing Interval	- Hours

ADDITIONAL DATA

F2 Suitable	Yes
Shaft Material	1045 Carbon Steel
Connection Diagram	230 / 460 V - 9 Lead Y
Approximate Weight	77 lbs.

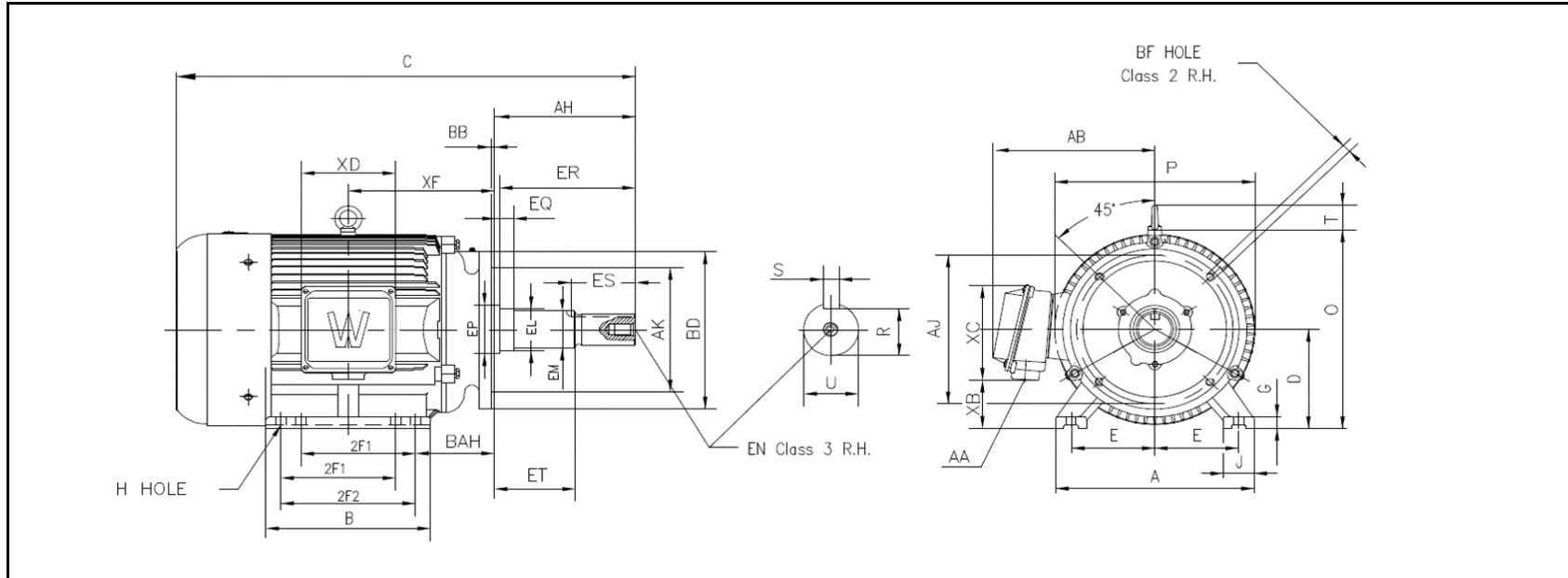
MOTOR DRAWING

Premium Efficiency Motor: **PEWWE3-36-182JP**

WorldWide Electric Corporation

1 (800) 808-2131

Worldwideelectric.net



DIMENSION - INCHES

MOUNTING					A	B	C	D	G	J	P	O	T	AB
E	2F1	2F	H	BAH										
3.75	-	4.5	0.41	3.37	9	6	20	4.5	0.6	2	9.7	9.5	1.42	8

SHAFT & KEY												
S	ES	R	AH	EQ	ET	EM	EL	EP	ER	EN	U	
0.188	1.65	0.768	7.31	1.563	5.937	1	1.25	1.378	7.34	3/8-16	0.874	

FLANGE				
AJ	AK	BB	BD	BF
5.875	4.5	0.156	6.6	3/8-16

TERMINAL BOX				
AA	XB	XC	XD	XF
1	2.2	5.1	4.6	5.63

PERFORMANCE CURVES

WorldWide Electric Corporation

1 (800) 808-2131

Worldwideelectric.net



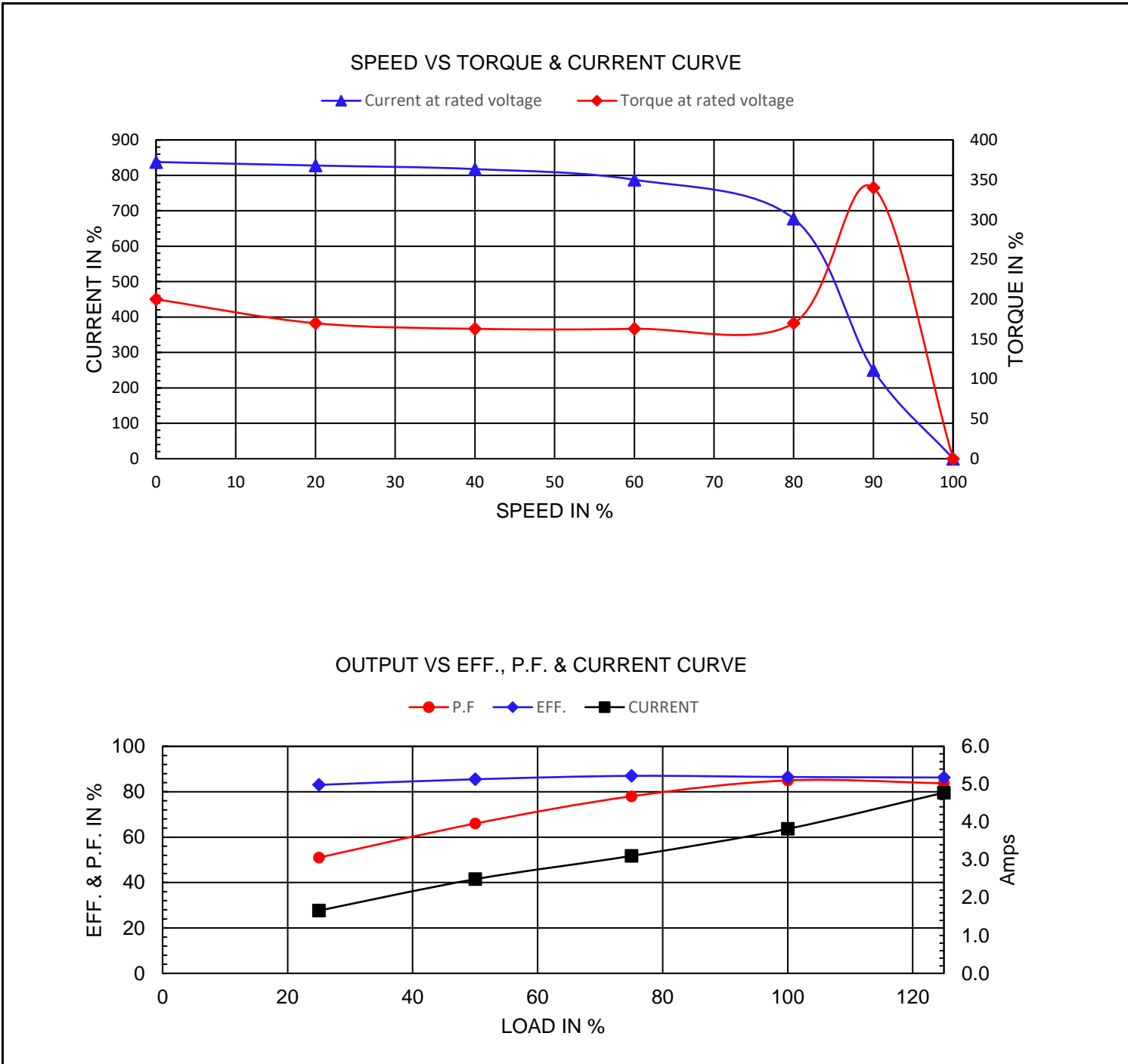
Premium Efficiency Motor:

PEWWE3-36-182JP

Document Generated: 16-Feb-2023
 Document ID:

Customer:

Motor Type	PEWWE		FL Speed	3490		
Output Rating (HP)	3		LRT (%FLT)	200	460 volt FLA	3.82
Full Load Torque	4.51	lb.ft	BDT (%FLT)	340	230 volt FLA	7.64
Rotor Wk^2	0.124	lb-ft^2				



NAMEPLATE / WIRING

WorldWide Electric Corporation

1 (800) 808-2131

Worldwideelectric.net



WORLDWIDE
ELECTRIC CORPORATION

Premium Efficiency Motor:

PEWWE3-36-182JP

Document Generated: 16-Feb-2023
Document ID:

Customer:

SAMPLE NAMEPLATE DATA

		NEMA Premium		3-PHASE INDUCTION MOTOR		259277 		CC006A	
Model				Ser No.				Low Voltage	
HP	S.F.	IP	Encl					4-5-6	
Frame	P.F.	Code	Type					7-8-9	
Voltage	230/460	Hz	Ins Cl	Rating	°C Amb Cont			1-2-3	
Amps	RPM	Design	Date					L1 L2 L3	
Nom.Eff.	FL	% 3/4	% 230/460V	10:1 CT	20:1 VT	PWM	VFD	1.0SF	
				DE Brng					4-5-6
Class I DIV. 2 Groups A B C D				Amb.40°C	T3C(160°C)	ODE Brng		7-8-9	
Class I Zone 2 IIC				Amb.55°C	T3A(180°C)	Grease type:		1-2-3	
								L1 L2 L3	
50Hz		HP	V	A	rpm	S.F.1.0			
WorldWide Electric Corporation									

Model	PEWWE3-36-182JP							
HP	3	S.F.	1.25	IP	IP55	Encl	TEFC	
Frame	182JP	P.F.	0.85	Code	K	Type		
Voltage	230/460 V	Hz	60 Hz	Ins Cl	F	Ambient	40°C	
Amps	7.64/3.82	RPM	3490	Design	B	DE Brng	6307ZZ C3	
Nom.Eff.	FL	86.5%	3/4	87.0%	ODE Brng		6206ZZ C3	
						Grease type:	--	
50Hz		3 HP	200/400 V	9.14/4.57 A	2885 rpm			