

DATA SHEET

Premium Efficiency Motor: **PEWWE7.5-36-213JM**

60 Hz

WorldWide Electric Corporation

1 (800) 808-2131

Worldwideelectric.net



Document Generated: 16-Feb-2023
Document ID:

Customer:

MOTOR INFORMATION	
HP	7.5
RPM	3600
Phase	3
Frequency	60 Hz
Voltage	230/460 V
Frame Size	213JM
Enclosure	TEFC
Degree of Protection	IP55
Service Factor	1.25
Poles	2
Full Load Speed	3505
Insulation Class	F
Temp Rise	80°C
NEMA Code Letter	H
Duty Cycle	S1 / Continuous
Slip	2.64%
NEMA Design	B
Moment of Inertia	0.242 lb.ft.^2
Locked Rotor Time (Hot)	15 seconds
Sound Pressure Level	72 dB(A)
Number of Starts	2 Cold/1 Hot
Max Ambient Temperature	40°C
Max Elevation	1000 m.a.s.l (3300 f.a.s.l)
Mounting	F1
Rotation	Bi-Directional
Area of Classification	Class I, Division 2, Groups A, B, C, D
Inverter Rating	10:1 CT / 20:1 VT PWM Type
Standard	NEMA MG-1
Approvals	CSA-US, CE

EFFICIENCY/POWER FACTOR		
LOAD	EFF	P. F.
100%	89.5 %	0.83
75%	89.7 %	0.78
50%	88.2 %	0.68

TORQUE		
FULL LOAD	LRT	BDT
11.2 lb.ft.	150 %	280 %

AMPERAGE INFORMATION		
	230V	460V
Full Load Amps	18.9A	9.45A
Locked Rotor Amps	127A	63.5A
No Load Current	7.8A	3.9A
Usable at 208V	20.9A	

BEARING INFORMATION	
DE Bearing	6309ZZ C3
ODE Bearing	6207ZZ C3
Grease Type	--
DE Regreasing Interval	- Hours
ODE Regreasing Interval	- Hours

ADDITIONAL DATA	
F2 Suitable	No
Shaft Material	1045 Carbon Steel
Connection Diagram	230 / 460 V - 9 Lead Y
Approximate Weight	135 lbs.

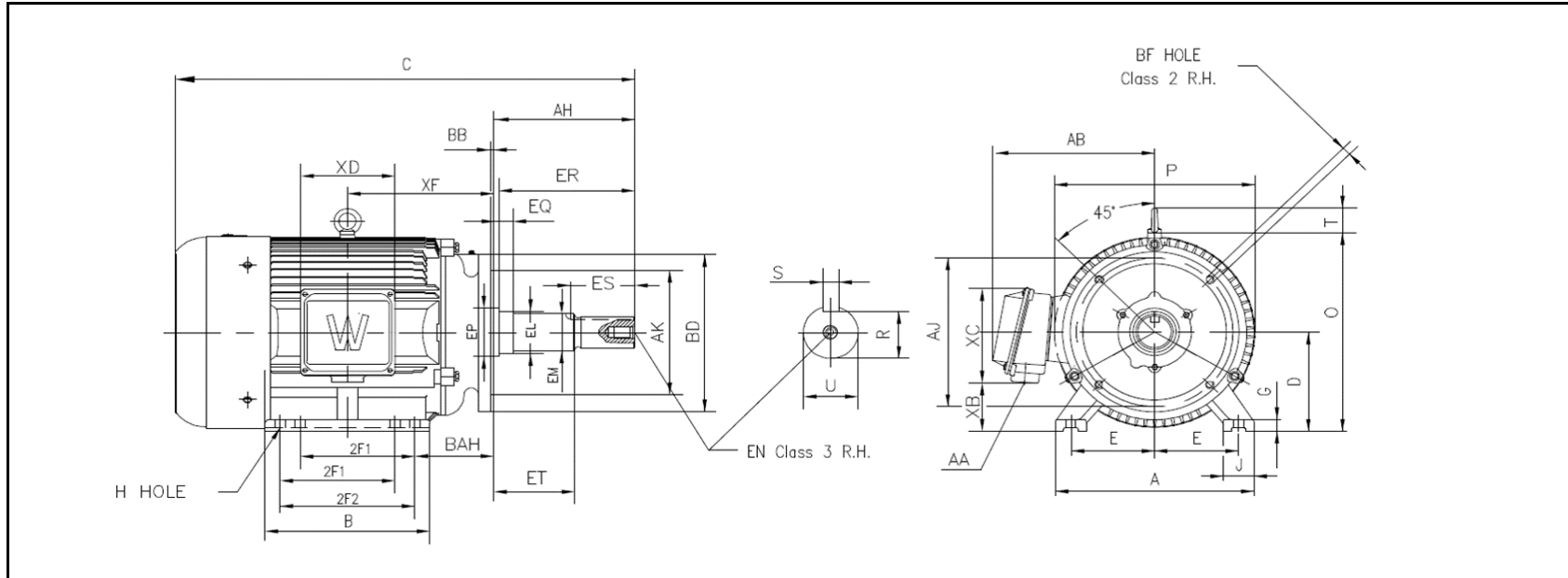
MOTOR DRAWING

Premium Efficiency Motor: **PEWWE7.5-36-213JM**

WorldWide Electric Corporation

1 (800) 808-2131

Worldwideelectric.net



DIMENSION - INCHES

MOUNTING					A	B	C	D	G	J	P	O	T	AB
E	2F1	2F	H	BAH										
4.25	--	5.5	0.41	4.5	10.5	7.5	20	5.25	0.71	2.4	10.4	10.6	1.73	8.5

SHAFT & KEY												
S	ES	R	AH	EQ	ET	EM	EL	EP	ER	EN	U	
0.188	1.732	0.77	4.25	0.625	2.875	1	1.25	1.772	4.5	3/8-16	0.874	

FLANGE				
AJ	AK	BB	BD	BF
7.25	8.5	0.275	8.9	1/2-13

TERMINAL BOX				
AA	XB	XC	XD	XF
1	3.3	5.1	4.6	7.25

PERFORMANCE CURVES

WorldWide Electric Corporation

1 (800) 808-2131

Worldwideelectric.net



Premium Efficiency Motor:

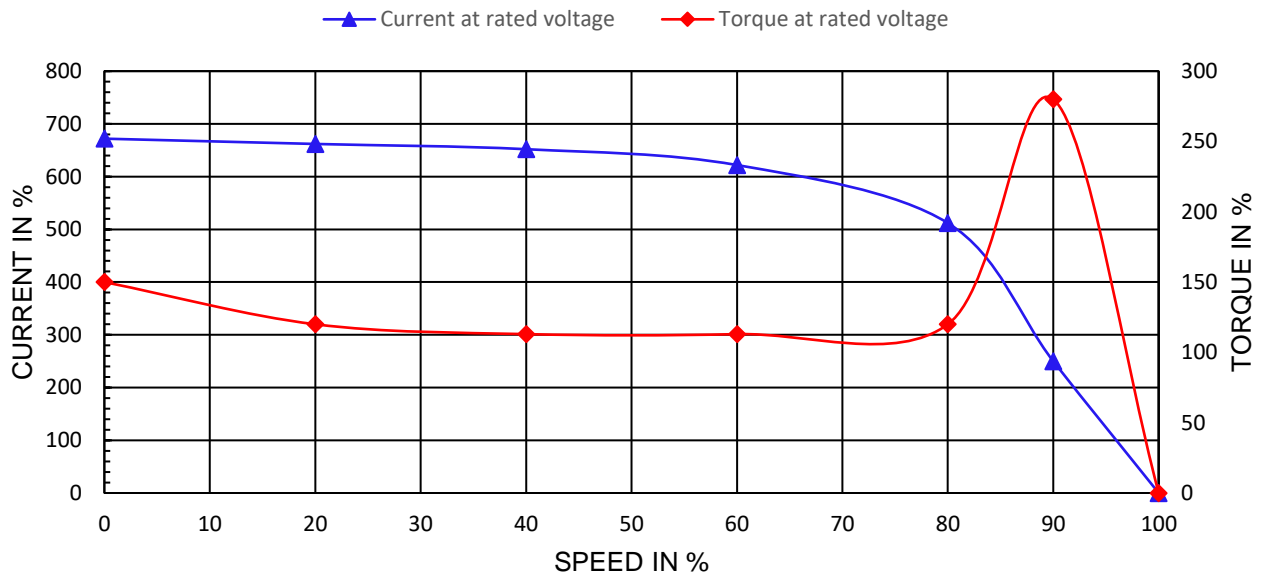
PEWWE7.5-36-213JM

Document Generated: 16-Feb-2023
 Document ID:

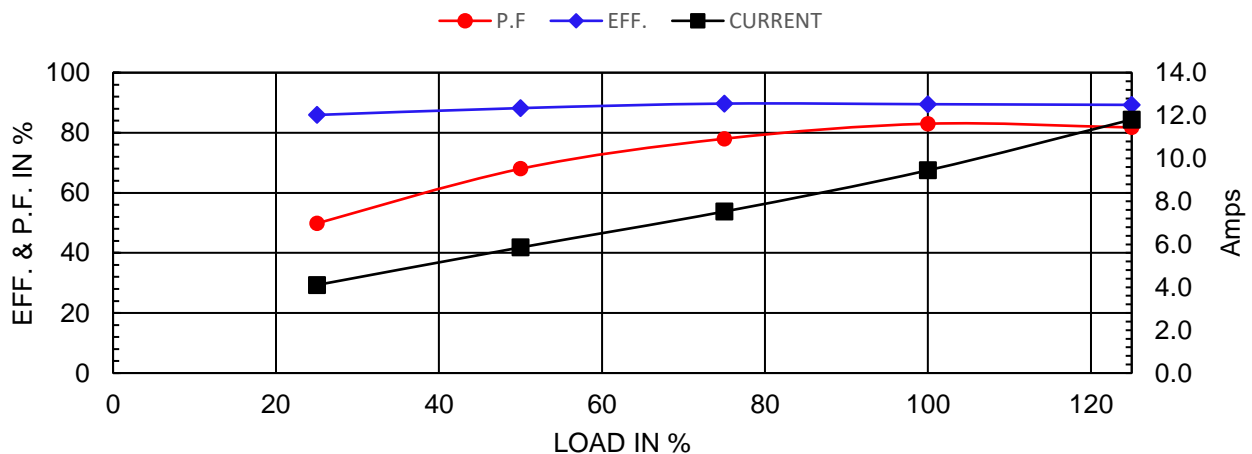
Customer:

Motor Type	PEWWE		FL Speed	3505	
Output Rating (HP)	7.5		LRT (%FLT)	150	460 volt FLA 9.45
Full Load Torque	11.2	lb.ft	BDT (%FLT)	280	230 volt FLA 18.9
Rotor Wk^2	0.242	lb-ft^2			

SPEED VS TORQUE & CURRENT CURVE



OUTPUT VS EFF., P.F. & CURRENT CURVE



NAMEPLATE / WIRING

WorldWide Electric Corporation

1 (800) 808-2131

Worldwideelectric.net



WORLDWIDE
ELECTRIC CORPORATION

Premium Efficiency Motor:

PEWWE7.5-36-213JM

Document Generated: 16-Feb-2023
Document ID:

Customer:

SAMPLE NAMEPLATE DATA

		NEMA Premium		3-PHASE INDUCTION MOTOR		259277 	 CC006A
Model		Ser No.		Low Voltage			
HP		S.F.		IP		Encl	
Frame		P.F.		Code		Type	
Voltage	230/460	Hz		Ins Cl		Rating	°C Amb Cont
Amps		RPM		Design		Date	
Nom.Eff.	FL	% 3/4	%	230/460V	10:1 CT	20:1 VT	PWM VFD 1.0SF
				DE Brng			
Class I DIV. 2 Groups A B C D				Amb.40°C	T3C(160°C)	ODE Brng	
Class I Zone 2 IIC				Amb.55°C	T3A(180°C)	Grease type:	
50Hz		HP	V	A	rpm	S.F.1.0	
WorldWide Electric Corporation							

Model	PEWWE7.5-36-213JM						
HP	7.5	S.F.	1.25	IP	IP55	Encl	TEFC
Frame	213JM	P.F.	0.83	Code	H	Type	
Voltage	230/460 V	Hz	60 Hz	Ins Cl	F	Ambient	40°C
Amps	18.9/9.45	RPM	3505	Design	B	DE Brng	6309ZZ C3
Nom.Eff.	FL	89.5%	3/4	89.7%		ODE Brng	6207ZZ C3
						Grease type:	--
50Hz		7.5 HP	200/400 V	22.4/11.2 A	2900 rpm		