

1 2 3 4 5 6 7 8 9

A

B

C

D

E

F

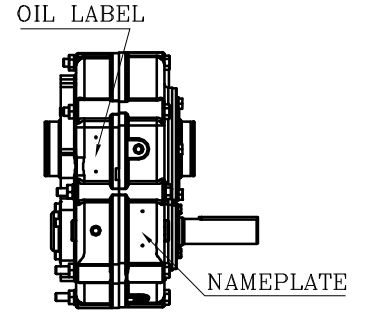
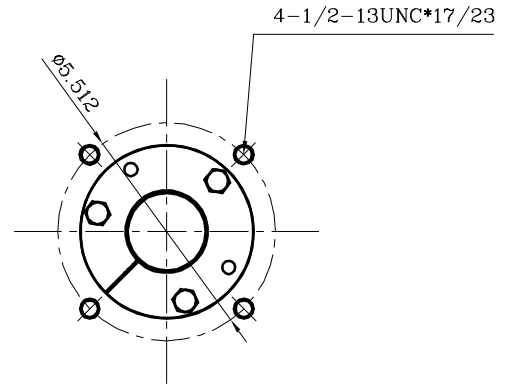
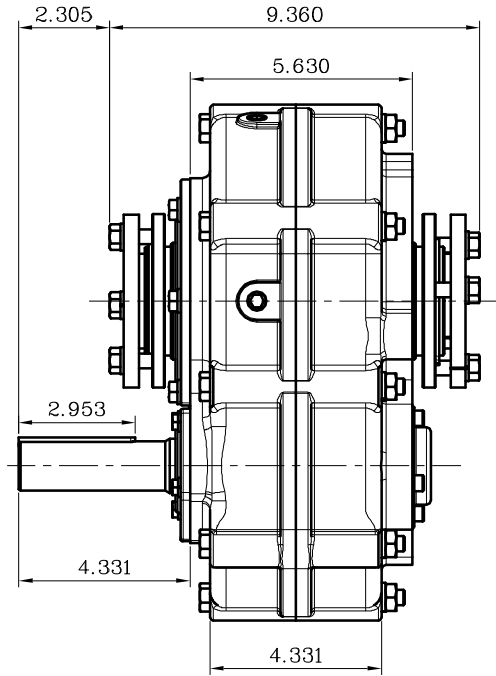
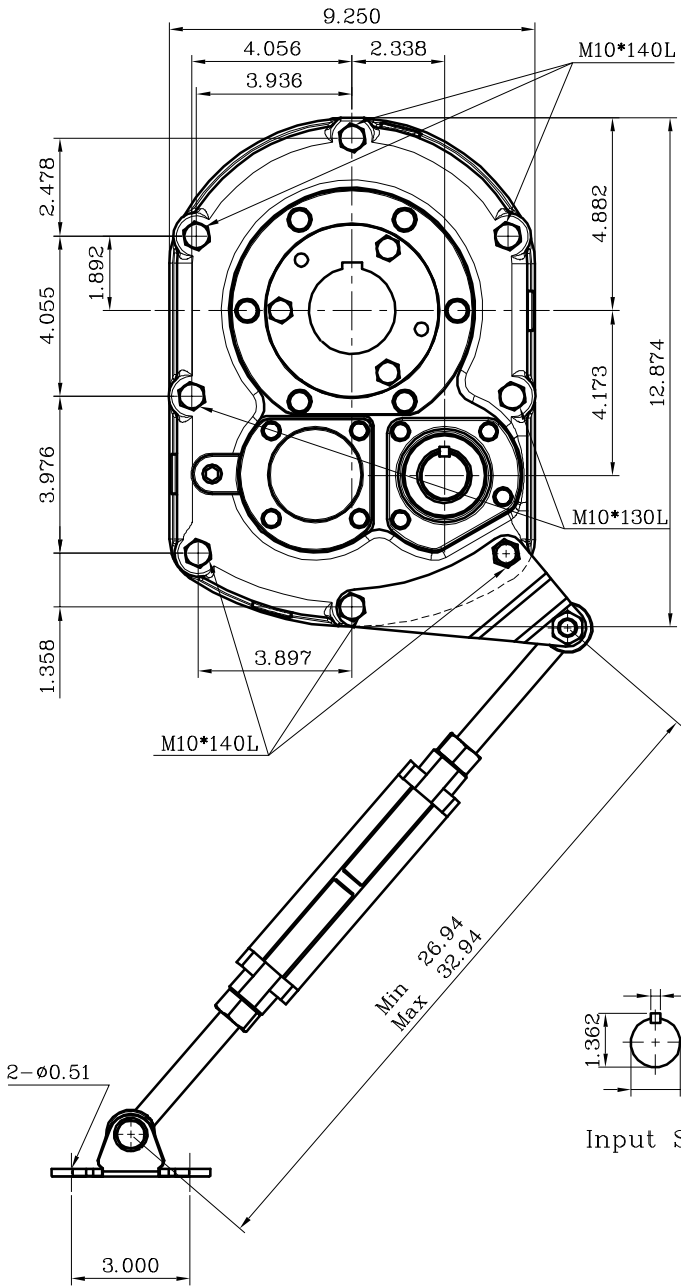
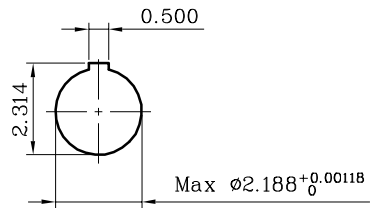
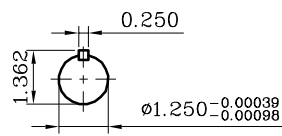


ILLUSTRATION FOR OIL LABEL AND NAMEPLATE

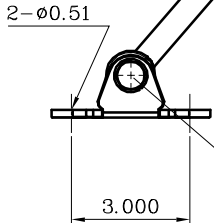


Output Bore



Input Shaft

Min 26.94
Max 32.94



WORLDWIDE

	NAME	DATE	TITLE : SCSMR3-9/1		
DWN.	FRANK	2018.05.09	DWG. NO : SCSMR3		
DESN.			PROJECTION	3RD. ANGLE	E-mail: _____
APPR.			SCALE	1:5	REV: A