

1 2 3 4 5 6 7 8 9

A

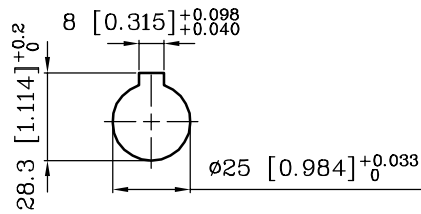
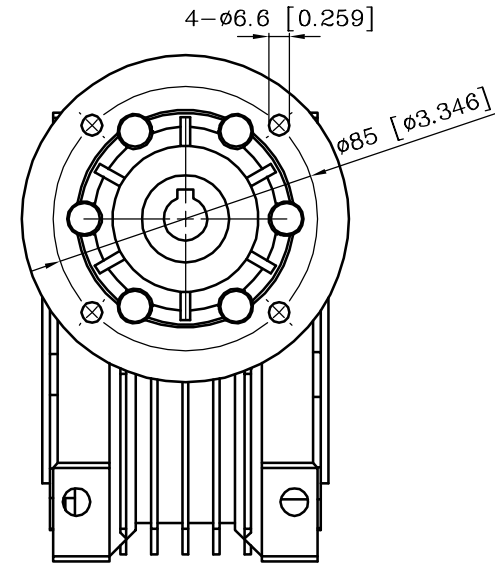
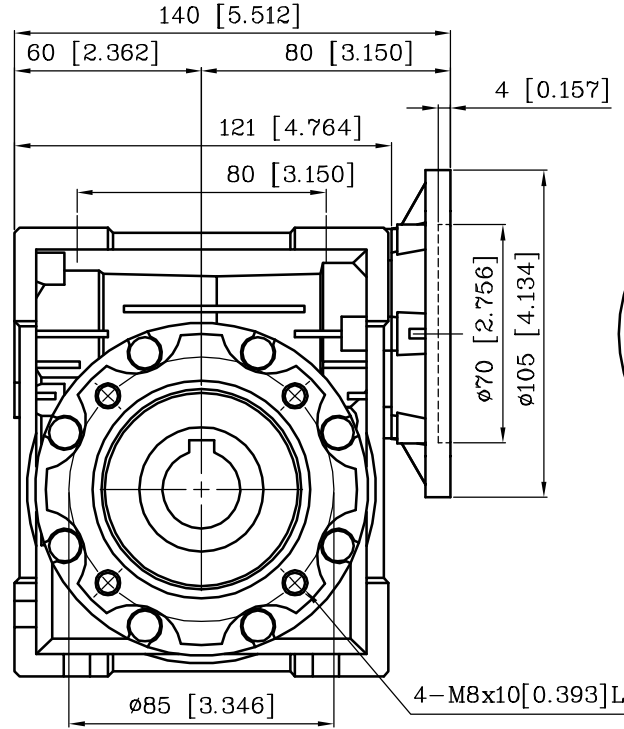
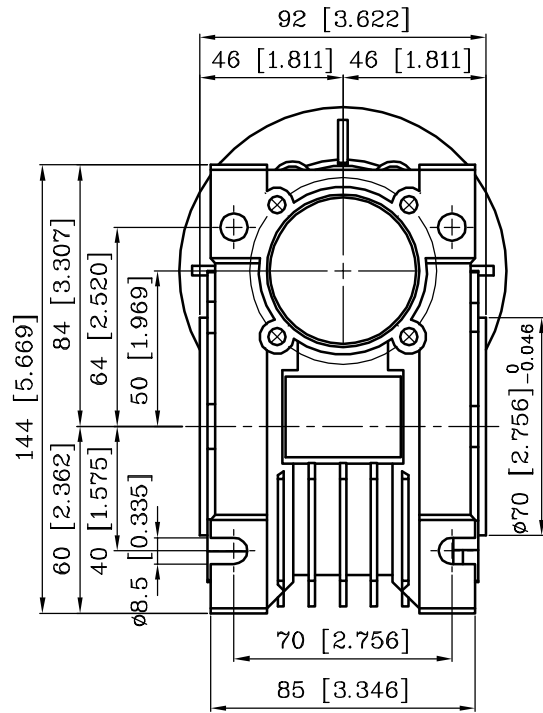
B

C

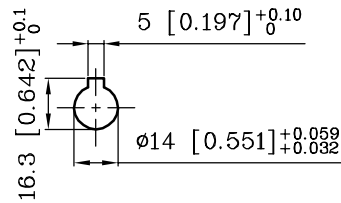
D

E

F



OUTPUT BORE



INPUT BORE

WORLDWIDE				
NAME		DATE	TITLE : CALM50-71B14	
DWN. CHUN-YA		2023.02.01	DWG. NO : CALM50-71B14	
DESIGN.		PROJECTION	3RD. ANGLE	E-mail:
APPR.		SCALE	1:25	REV: /