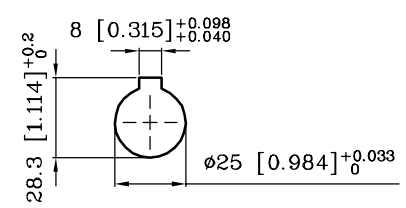
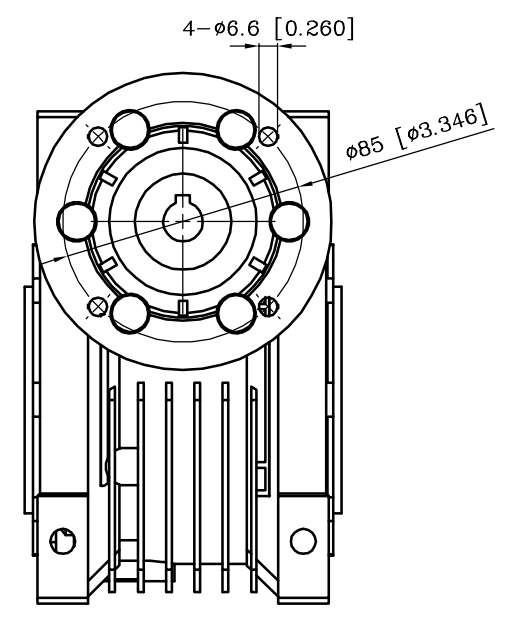
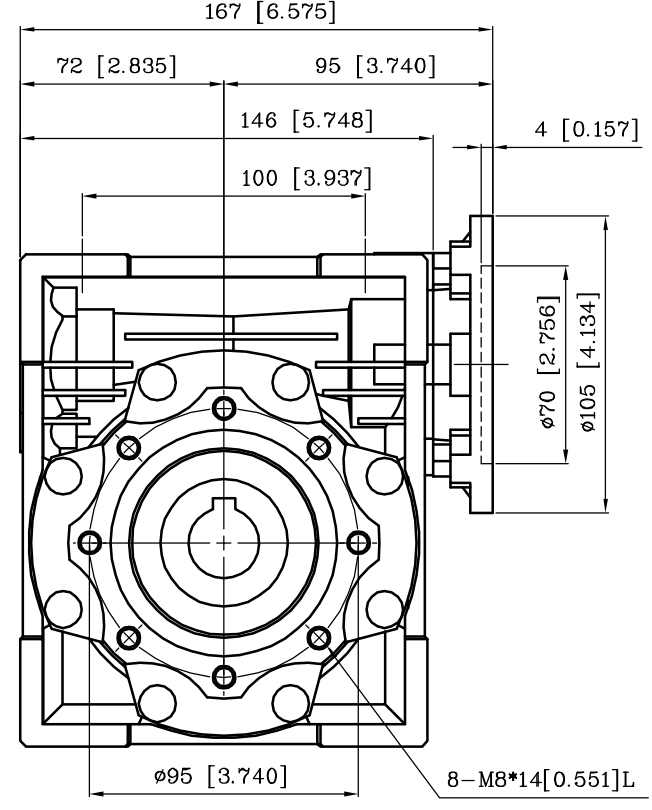
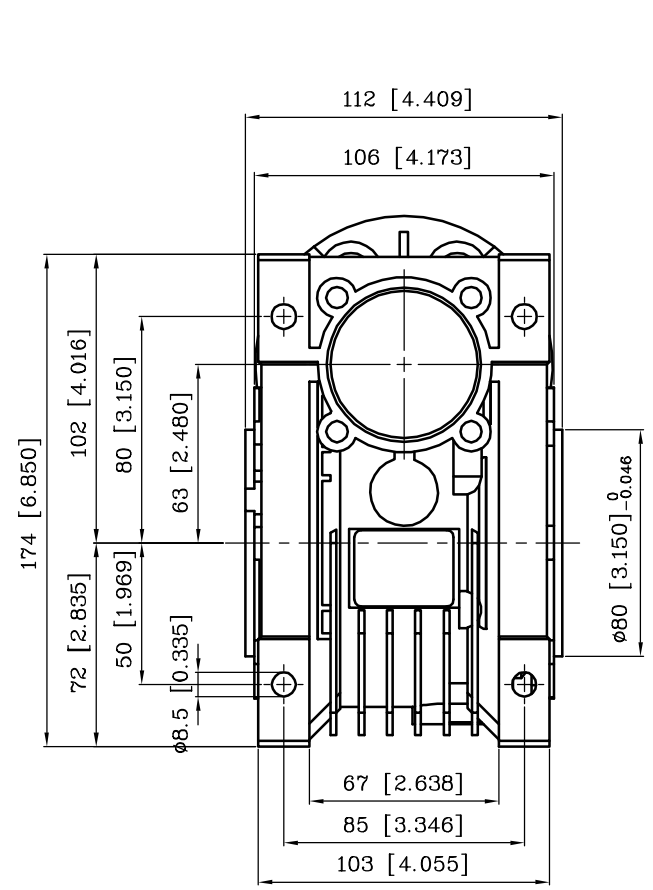
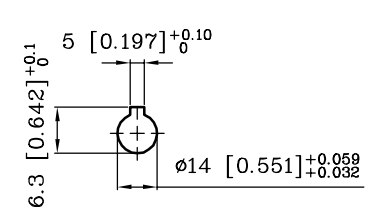


1 2 3 4 5 6 7 8 9

A
B
C
D
E
F
6



OUTPUT BORE



INPUT BORE

| | | | | |
|-----------|---------|------------|------------------------|------------|
| WORLDWIDE | | | | |
| | NAME | DATE | TITLE : CALM63-71B14 | |
| DWN. | CHUN-YA | 2023.02.01 | DWG. NO : CALM63-71B14 | |
| DESN. | | | PROJECTION | 3RD. ANGLE |
| APPR. | | | SCALE | 1:2.75 |
| | | | E-mail: | REV: A |