

1 2 3 4 5 6 7 8 9

A

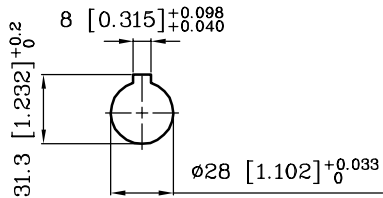
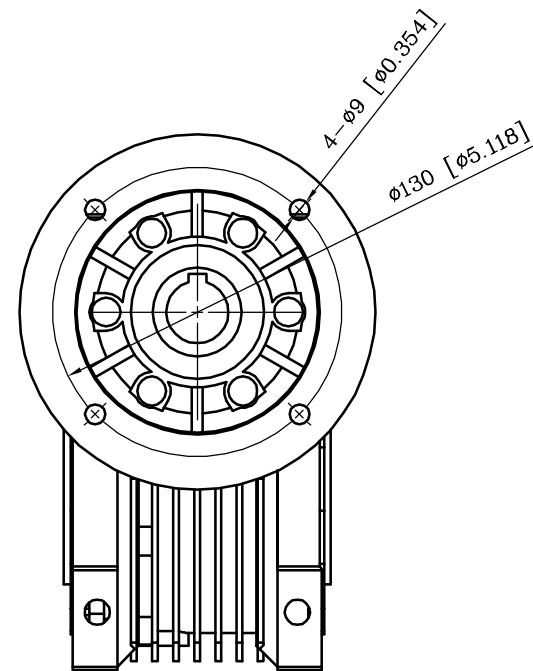
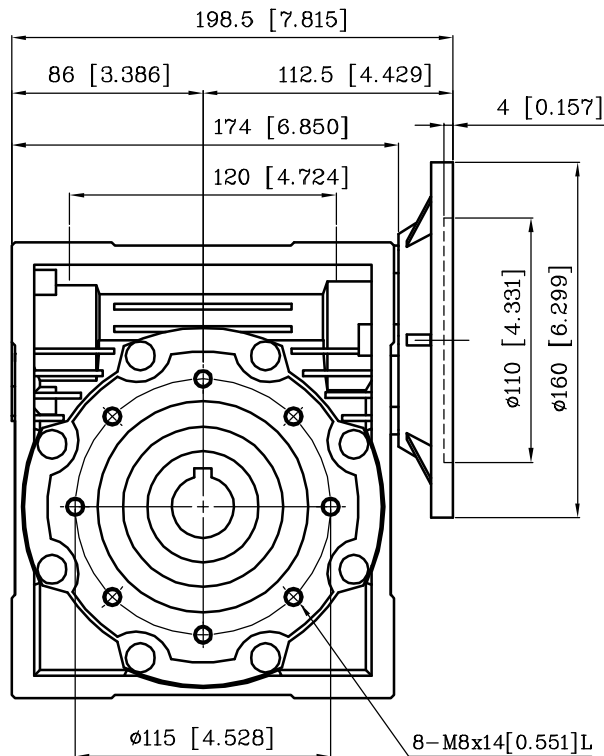
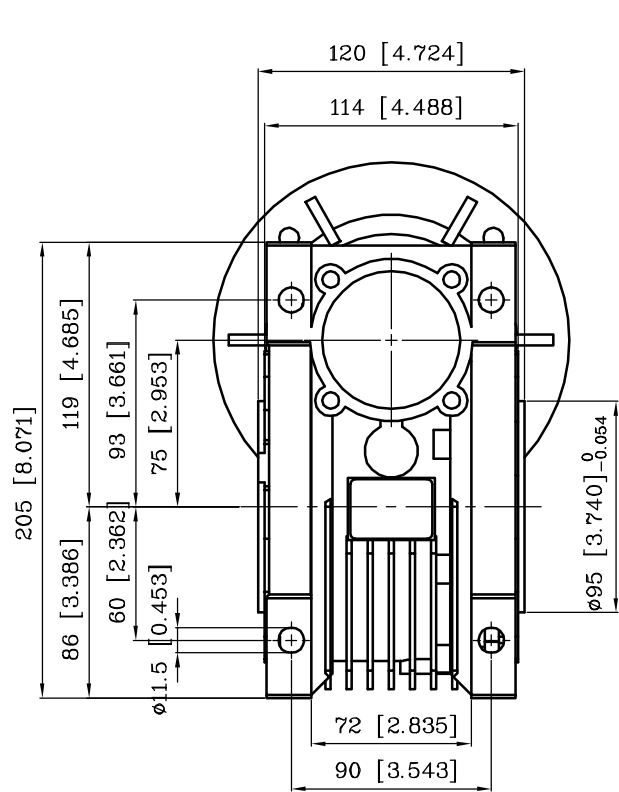
B

C

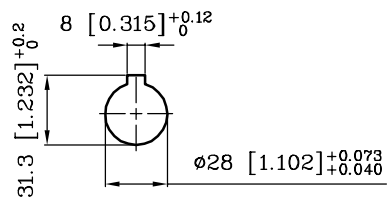
D

E

F



OUTPUT BORE



INPUT BORE

WORLDWIDE

	NAME	DATE	TITLE : CALM75-112B14		
DWN.	CHUN-YA	2023.02.01	DWG. NO : CALM75-112B14		
DESN.			PROJECTION	3RD. ANGLE	E-mail: _____
APPR.			SCALE	1:35	REV: A