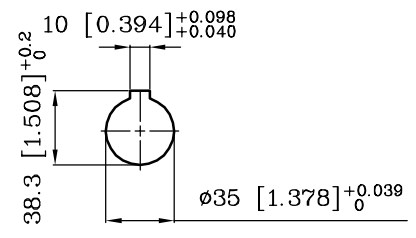
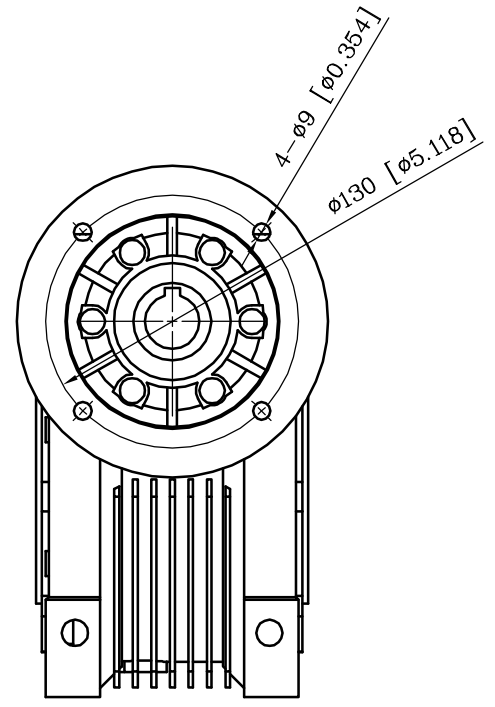
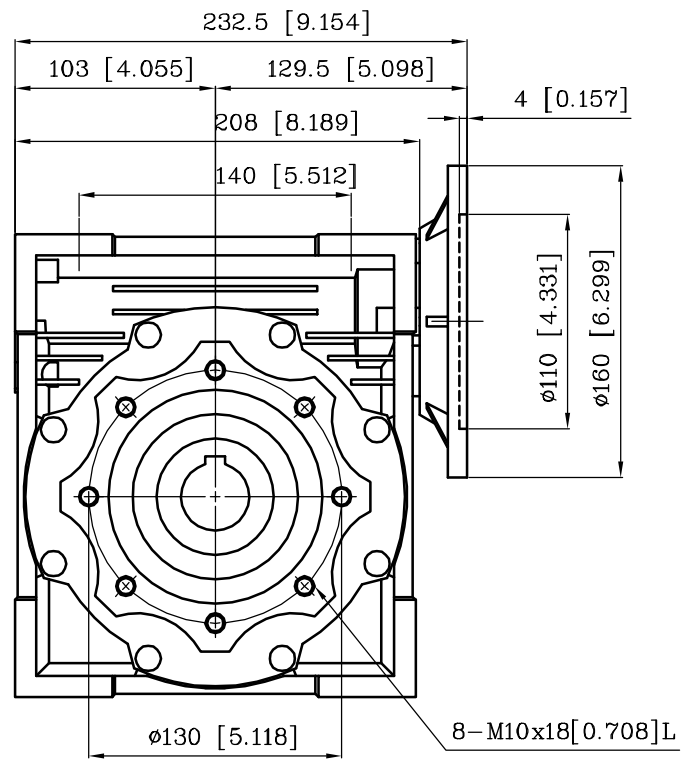
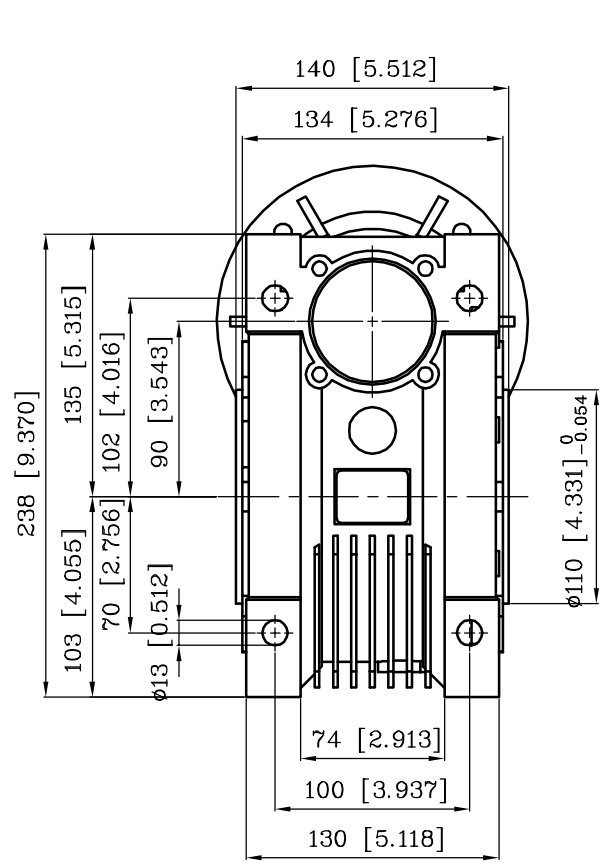
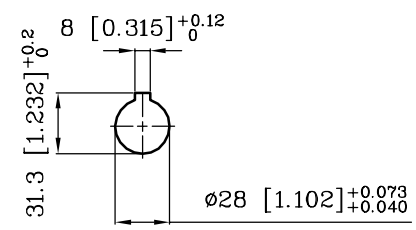


1 2 3 4 5 6 7 8 9

A  
B  
C  
D  
E  
F



OUTPUT BORE



INPUT BORE

WORLDWIDE

	NAME	DATE	TITLE : CALM90-100B14		
DWN.	CHUN-YA	2023.02.01	DWG. NO : CALM90-100B14		
DESN.			PROJECTION	3RD. ANGLE	E-mail:
APPR.			SCALE	1:4	REV: A