

# DATA SHEET

Premium Efficiency Motor: **CDM10-18-215T,**

**60 Hz**

WorldWide Electric Corporation

1 (800) 808-2131

Worldwideelectric.net



Document Generated: 1-Apr-2025  
Document ID:

Customer:

MOTOR INFORMATION	
HP	10
RPM	1800
Phase	1
Frequency	60 Hz
Voltage	230
Frame Size	215T
Enclosure	ODP
Degree of Protection	IP23
Service Factor	1.15
Poles	4
Full Load Speed	1765
Insulation Class	F
Temp Rise	80°C
NEMA Code Letter	C
Duty Cycle	S1 / Continuous
Slip	1.96%
NEMA Design	L
Moment of Inertia	1.191 lb.ft.^2
Locked Rotor Time (Hot)	12 seconds
Sound Pressure Level	70 dB(A)
Number of Starts	2
Max Ambient Temperature	40°C
Max Elevation	1000 m.a.s.l (3300 f.a.s.l)
Mounting	F1
Rotation	Bi-Directional
Area of Classification	Safe
Inverter Rating	None
Standard	NEMA MG-1
Approvals	UL

EFFICIENCY/POWER FACTOR		
LOAD	EFF	P. F.
100%	87.7 %	0.96
75%	88.2 %	0.96
50%	85.2 %	0.94

TORQUE		
FULL LOAD	LRT	BDT
29.956 lb.ft.	183 %	234 %

AMPERAGE INFORMATION		
	115V	230V
Full Load Amps	-A	38.7A
Locked Rotor Amps	-A	171.7A
No Load Current	-A	8.512A
Usable at 208V	42.8A	

BEARING INFORMATION	
DE Bearing	6308-ZZ
ODE Bearing	6206-ZZ
Grease Type	NS7 ENS
DE Regreasing Interval	- Hours
ODE Regreasing Interval	- Hours
Grease Quantity	-

CAPACITOR INFORMATION	
Start Capacitor	2 - 400-480µF/330V
Run Capacitor	2 - 60µF/500V

ADDITIONAL DATA	
F2 Suitable	No
Shaft Material	AISI 1045
Connection Diagram	230 V
Approximate Weight	148.5 lbs.

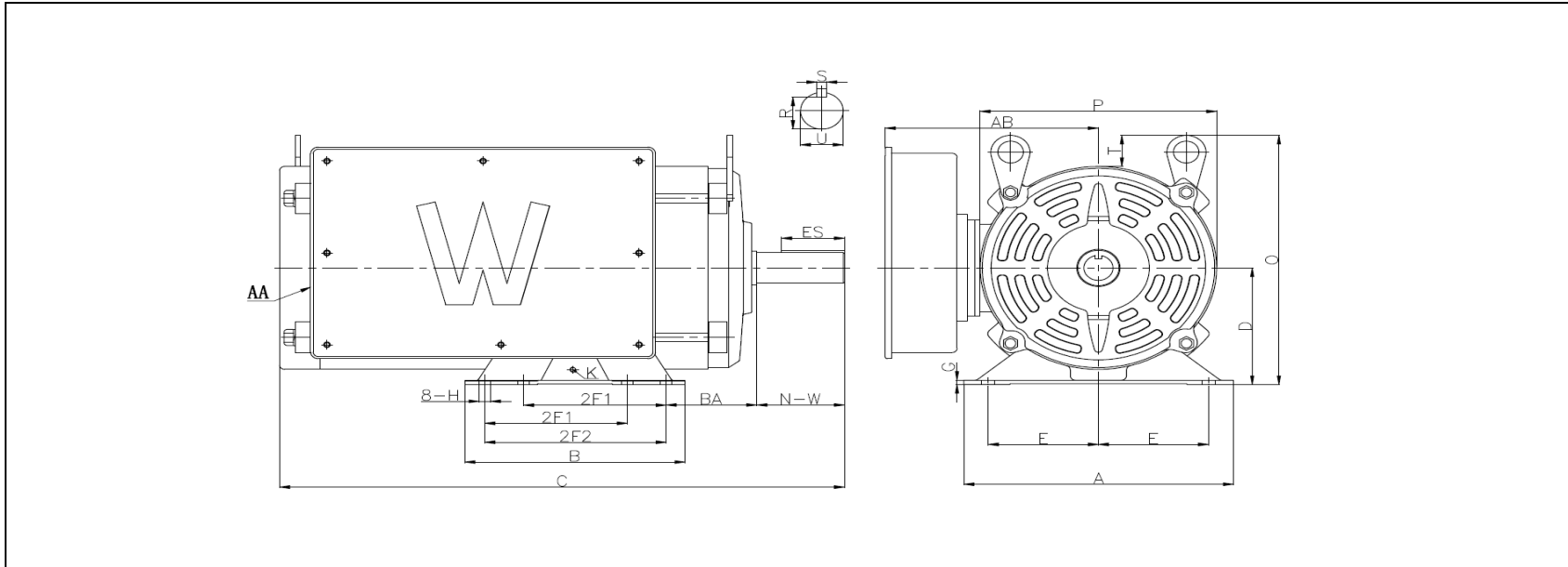
# MOTOR DRAWING

Premium Efficiency Motor: **CDM10-18-215T**

WorldWide Electric Corporation

1 (800) 808-2131

Worldwideelectric.net



## DIMENSION - INCHES

MOUNTING					A	B	C	D	G	P	O	T	AB
E	2F1	2F2	H	BA									
4.25	5.5	7	0.41	3.5	10.5	8.5	21.8	5.25	0.16	9.2	11.3	1.4	8.3

SHAFT & KEY				
S	ES	R	N-W	U
0.312	2.41	1.201	3.38	1.375

TERMINAL BOX	K - GND
AA	LUG
1'-11 NPT	M5

# NAMEPLATE / WIRING

WorldWide Electric Corporation

1 (800) 808-2131

Worldwideelectric.net



Premium Efficiency Motor: **CDM10-18-215T**

Document Generated: 1-Apr-2025  
Document ID:

Customer:

## SAMPLE NAMEPLATE DATA

		<b>OPEN DRIP PROOF SINGLE PHASE INDUCTION MOTOR</b>			
<b>Model :</b>		<b>SN :</b>		<b>Poles :</b>	
<b>HP :</b>		<b>Encl : ODP</b>		<b>IP 23</b>	
<b>Hz :</b>		<b>FR :</b>		<b>Eff :</b>	<b>%</b>
<b>Volts :</b>		<b>Ins :</b>		<b>P.F. :</b>	
<b>Amps :</b>		<b>CODE :</b>		<b>DE BRG :</b>	
<b>RPM :</b>		<b>WT : LBS</b>		<b>ODE BRG :</b>	
<b>SF :</b>		<b>Max Amb 40°C - CONT</b>		<b>Date :</b>	
<b>WorldWide Electric Corporation</b>					

**RATED VOLTAGE**

CONNECTED FOR CCW ROTATION  
FACING OPPOSITE DRIVE END

TO REVERSE ROTATION  
INTERCHANGE LEAD 5 & 8

MOTOR MUST BE GROUNDED, USE  
GREEN LEAD IF SUPPLIED PER THE  
NATIONAL ELECTRICAL CODE

<b>Model</b>	CDM10-18-215T	<b>Poles</b>	4
<b>HP</b>	10	<b>Encl</b>	ODP
<b>Hz</b>	60 Hz	<b>IP</b>	23
<b>Voltage</b>	230	<b>Frame</b>	215T
<b>Amps</b>	-A/38.7A	<b>Eff</b>	87.7%
<b>RPM</b>	1765	<b>Ins</b>	F
<b>S.F.</b>	1.15	<b>P.F.</b>	0.96
		<b>Code</b>	C
		<b>DE Brg</b>	6308-ZZ
		<b>WT</b>	148.5 lbs.
		<b>ODE Brg</b>	6206-ZZ