

DATA SHEET

Premium Efficiency Motor: **CDM3-18-182T,**

60 Hz

WorldWide Electric Corporation

1 (800) 808-2131

Worldwideelectric.net



Document Generated: 1-Apr-2025
Document ID:

Customer:

MOTOR INFORMATION	
HP	3
RPM	1800
Phase	1
Frequency	60 Hz
Voltage	115/230
Frame Size	182T
Enclosure	ODP
Degree of Protection	IP23
Service Factor	1.15
Poles	4
Full Load Speed	1765
Insulation Class	F
Temp Rise	80°C
NEMA Code Letter	F
Duty Cycle	S1 / Continuous
Slip	1.96%
NEMA Design	L
Moment of Inertia	0.325 lb.ft.^2
Locked Rotor Time (Hot)	12 seconds
Sound Pressure Level	70 dB(A)
Number of Starts	2
Max Ambient Temperature	40°C
Max Elevation	1000 m.a.s.l (3300 f.a.s.l)
Mounting	F1
Rotation	Bi-Directional
Area of Classification	Safe
Inverter Rating	None
Standard	NEMA MG-1
Approvals	UL

EFFICIENCY/POWER FACTOR		
LOAD	EFF	P. F.
100%	84.5 %	0.94
75%	83.7 %	0.93
50%	79.2 %	0.90

TORQUE		
FULL LOAD	LRT	BDT
8.782 lb.ft.	297 %	362 %

AMPERAGE INFORMATION		
	115V	230V
Full Load Amps	24.2A	12.1A
Locked Rotor Amps	173.34A	86.67A
No Load Current	6.66A	3.33A
Usable at 208V	13.4A	

BEARING INFORMATION	
DE Bearing	6306-ZZ
ODE Bearing	6206-ZZ
Grease Type	NS7 ENS
DE Regreasing Interval	- Hours
ODE Regreasing Interval	- Hours
Grease Quantity	-

CAPACITOR INFORMATION	
Start Capacitor	1 - 1000µF/150V
Run Capacitor	1 - 120µF/250V

ADDITIONAL DATA	
F2 Suitable	No
Shaft Material	AISI 1045
Connection Diagram	115 / 230 V
Approximate Weight	75.9 lbs.

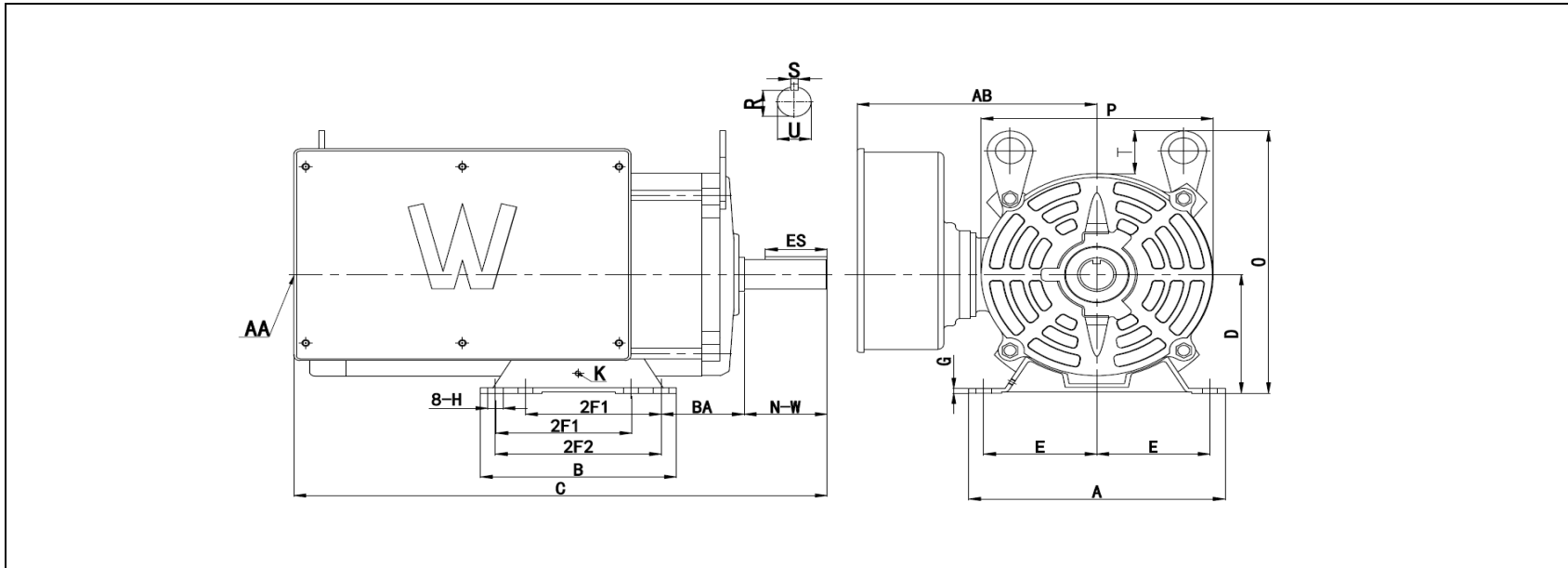
MOTOR DRAWING

Premium Efficiency Motor: **CDM3-18-182T**

WorldWide Electric Corporation

1 (800) 808-2131

Worldwideelectric.net



DIMENSION - INCHES

MOUNTING					A	B	C	D	G	P	O	T	AB
E	2F1	2F2	H	BA									
3.75	4.5	5.5	0.41	2.75	8.5	6.5	17.8	4.5	0.12	7.7	10	1.6	8

SHAFT & KEY				
S	ES	R	N-W	U
0.25	1.78	0.986	2.75	1.125

TERMINAL BOX	K - GND
AA	LUG
3/4"-14 NPT	M5

NAMEPLATE / WIRING

WorldWide Electric Corporation

1 (800) 808-2131

Worldwideelectric.net






Premium Efficiency Motor:

CDM3-18-182T

Document Generated: 1-Apr-2025
Document ID:

Customer:

SAMPLE NAMEPLATE DATA

		OPEN DRIP PROOF SINGLE PHASE INDUCTION MOTOR			
HP :	Encl : ODP	IP 23			
Hz :	FR :	Eff :			
Volts :	Ins : F	P.F. :			
Amps :	CODE :	DE BRG :			
RPM :	WT : LBS	ODE BRG :			
SF :	Max Amb 40°C - CONT	Date :			
WorldWide Electric Corporation					

Model	CDM3-18-182T	Poles	4
HP	3	Encl	ODP
Hz	60 Hz	IP	23
Voltage	115/230	Frame	182T
Amps	24.2A/12.1A	Eff	84.5%
RPM	1765	P.F.	0.94
S.F.	1.15	Code	F
		DE Brg	6306-ZZ
		WT	75.9 lbs.
		ODE Brg	6206-ZZ