

DATA SHEET

Premium Efficiency Motor: **CDM3-36-56,**

60 Hz

WorldWide Electric Corporation

1 (800) 808-2131

Worldwideelectric.net



Document Generated: 1-Apr-2025
Document ID:

Customer:

MOTOR INFORMATION	
HP	3
RPM	3600
Phase	1
Frequency	60 Hz
Voltage	115/230
Frame Size	56
Enclosure	ODP
Degree of Protection	IP23
Service Factor	1.15
Poles	2
Full Load Speed	3519
Insulation Class	F
Temp Rise	80°C
NEMA Code Letter	H
Duty Cycle	S1 / Continuous
Slip	2.24%
NEMA Design	L
Moment of Inertia	0.857 lb.ft.^2
Locked Rotor Time (Hot)	12 seconds
Sound Pressure Level	76 dB(A)
Number of Starts	2
Max Ambient Temperature	40°C
Max Elevation	1000 m.a.s.l (3300 f.a.s.l)
Mounting	F1
Rotation	Bi-Directional
Area of Classification	Safe
Inverter Rating	None
Standard	NEMA MG-1
Approvals	UL

EFFICIENCY/POWER FACTOR		
LOAD	EFF	P. F.
100%	84.1 %	0.97
75%	84.2 %	0.97
50%	80.3 %	0.96

TORQUE		
FULL LOAD	LRT	BDT
4.406 lb.ft.	177 %	249 %

AMPERAGE INFORMATION		
	115V	230V
Full Load Amps	23.2A	11.6A
Locked Rotor Amps	175.54A	87.77A
No Load Current	4.38A	2.19A
Usable at 208V	12.44A	

BEARING INFORMATION	
DE Bearing	6203-ZZ
ODE Bearing	6203-ZZ
Grease Type	NS7 ENS
DE Regreasing Interval	- Hours
ODE Regreasing Interval	- Hours
Grease Quantity	-

CAPACITOR INFORMATION	
Start Capacitor	1 - 400-480µF/250V
Run Capacitor	1 - 90µF/250V

ADDITIONAL DATA	
F2 Suitable	No
Shaft Material	AISI 1045
Connection Diagram	115 / 230 V
Approximate Weight	47.5 lbs.

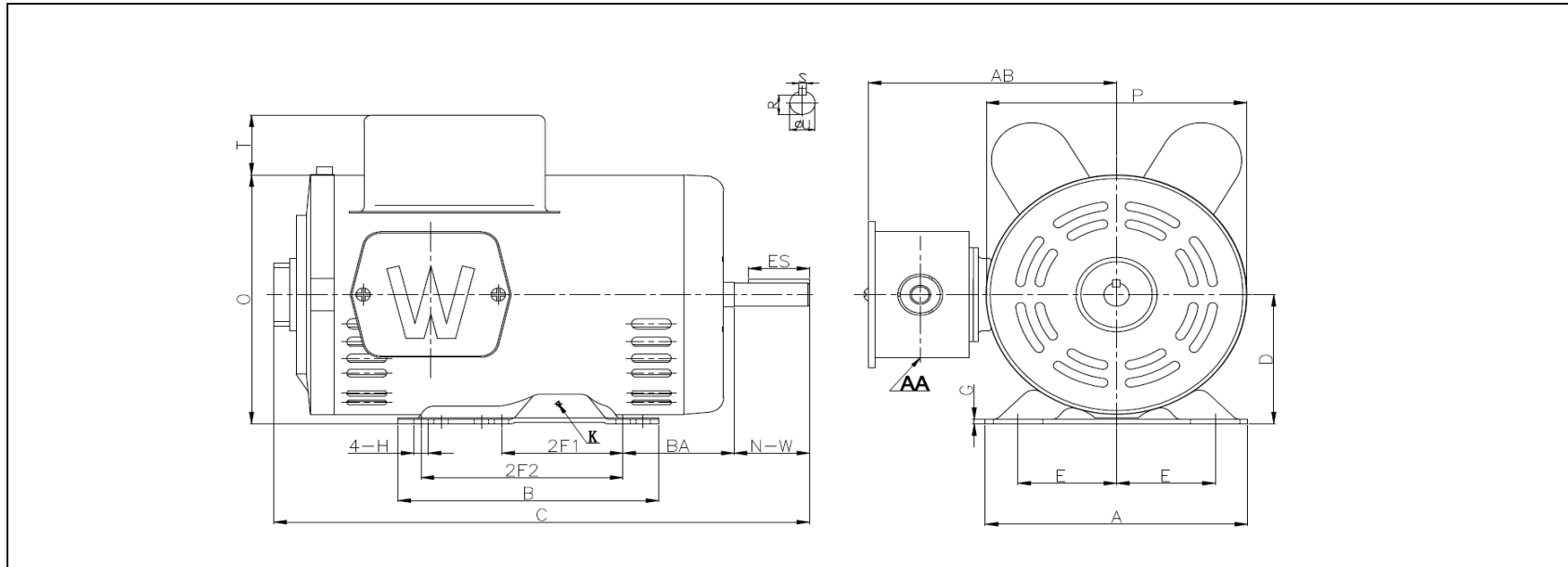
MOTOR DRAWING

Premium Efficiency Motor: **CDM3-36-56**

WorldWide Electric Corporation

1 (800) 808-2131

Worldwideelectric.net



DIMENSION - INCHES

MOUNTING					A	B	C	D	G	P	O	T	AB
E	2F1	2F2	H	BA									
2.44	3	5	0.34	2.75	6.5	6.5	13.9	3.5	0.12	6.5	6.7	1.6	6.2

SHAFT & KEY				
S	ES	R	N-W	U
0.188	1.41	0.517	1.88	0.625

TERMINAL BOX	K - GND
AA	LUG
3x0.88"/2x1.109"	M5

NAMEPLATE / WIRING

WorldWide Electric Corporation

1 (800) 808-2131

Worldwideelectric.net



Premium Efficiency Motor: **CDM3-36-56**

Document Generated: 1-Apr-2025
Document ID:

Customer:

SAMPLE NAMEPLATE DATA

		PREMIUM EFFICIENCY SINGLE PHASE INDUCTION MOTOR			
HP :		Encl : ODP		IP 23	
Hz :		FR :		Eff :	
Volts :		Ins : F		P.F. :	
Amps :		CODE :		DE BRG :	
RPM :		WT : LBS		ODE BRG :	
SF :		Max Amb 40°C – CONT		Date :	
WorldWide Electric Corporation					

LOW VOLTAGE **HIGH VOLTAGE**

CONNECTED FOR CCW ROTATION
FACING OPPOSITE DRIVE END

TO REVERSE ROTATION
INTERCHANGE LEAD 5 & 8

MOTOR MUST BE GROUNDING, USE
GREEN LEAD IF SUPPLIED PER THE
NATIONAL ELECTRICAL CODE

Model	CDM3-36-56	Poles	2
HP	3	Encl	ODP
Hz	60 Hz	IP	23
Voltage	115/230	Frame	56
Amps	23.2A/11.6A	Eff	84.1%
RPM	3519	P.F.	0.97
S.F.	1.15	Code	H
		DE Brg	6203-ZZ
		WT	47.5 lbs.
		ODE Brg	6203-ZZ