

DATA SHEET

Premium Efficiency Motor: **CDM5-18-184T,**

60 Hz

WorldWide Electric Corporation

1 (800) 808-2131

Worldwideelectric.net



Document Generated: 1-Apr-2025
Document ID:

Customer:

| MOTOR INFORMATION | |
|-------------------------|-----------------------------|
| HP | 5 |
| RPM | 1800 |
| Phase | 1 |
| Frequency | 60 Hz |
| Voltage | 230 |
| Frame Size | 184T |
| Enclosure | ODP |
| Degree of Protection | IP23 |
| Service Factor | 1.15 |
| Poles | 4 |
| Full Load Speed | 1765 |
| Insulation Class | F |
| Temp Rise | 80°C |
| NEMA Code Letter | G |
| Duty Cycle | S1 / Continuous |
| Slip | 1.93% |
| NEMA Design | L |
| Moment of Inertia | 0.496 lb.ft.^2 |
| Locked Rotor Time (Hot) | 12 seconds |
| Sound Pressure Level | 70 dB(A) |
| Number of Starts | 2 |
| Max Ambient Temperature | 40°C |
| Max Elevation | 1000 m.a.s.l (3300 f.a.s.l) |
| Mounting | F1 |
| Rotation | Bi-Directional |
| Area of Classification | Safe |
| Inverter Rating | None |
| Standard | NEMA MG-1 |
| Approvals | UL |

| EFFICIENCY/POWER FACTOR | | |
|-------------------------|--------|-------|
| LOAD | EFF | P. F. |
| 100% | 87.5 % | 0.93 |
| 75% | 87.4 % | 0.93 |
| 50% | 84.3 % | 0.90 |

| TORQUE | | |
|---------------|-------|-------|
| FULL LOAD | LRT | BDT |
| 14.775 lb.ft. | 344 % | 237 % |

| AMPERAGE INFORMATION | | |
|----------------------|-------|--------|
| | 115V | 230V |
| Full Load Amps | -A | 19.7A |
| Locked Rotor Amps | -A | 129.7A |
| No Load Current | -A | 4.65A |
| Usable at 208V | 21.8A | |

| BEARING INFORMATION | |
|-------------------------|---------|
| DE Bearing | 6306-ZZ |
| ODE Bearing | 6206-ZZ |
| Grease Type | NS7 ENS |
| DE Regreasing Interval | - Hours |
| ODE Regreasing Interval | - Hours |
| Grease Quantity | - |

| CAPACITOR INFORMATION | |
|-----------------------|--------------------|
| Start Capacitor | 1 - 250-300µF/300V |
| Run Capacitor | 1 - 40µF/450V |

| ADDITIONAL DATA | |
|--------------------|------------|
| F2 Suitable | No |
| Shaft Material | AISI 1045 |
| Connection Diagram | 230 V |
| Approximate Weight | 100.1 lbs. |

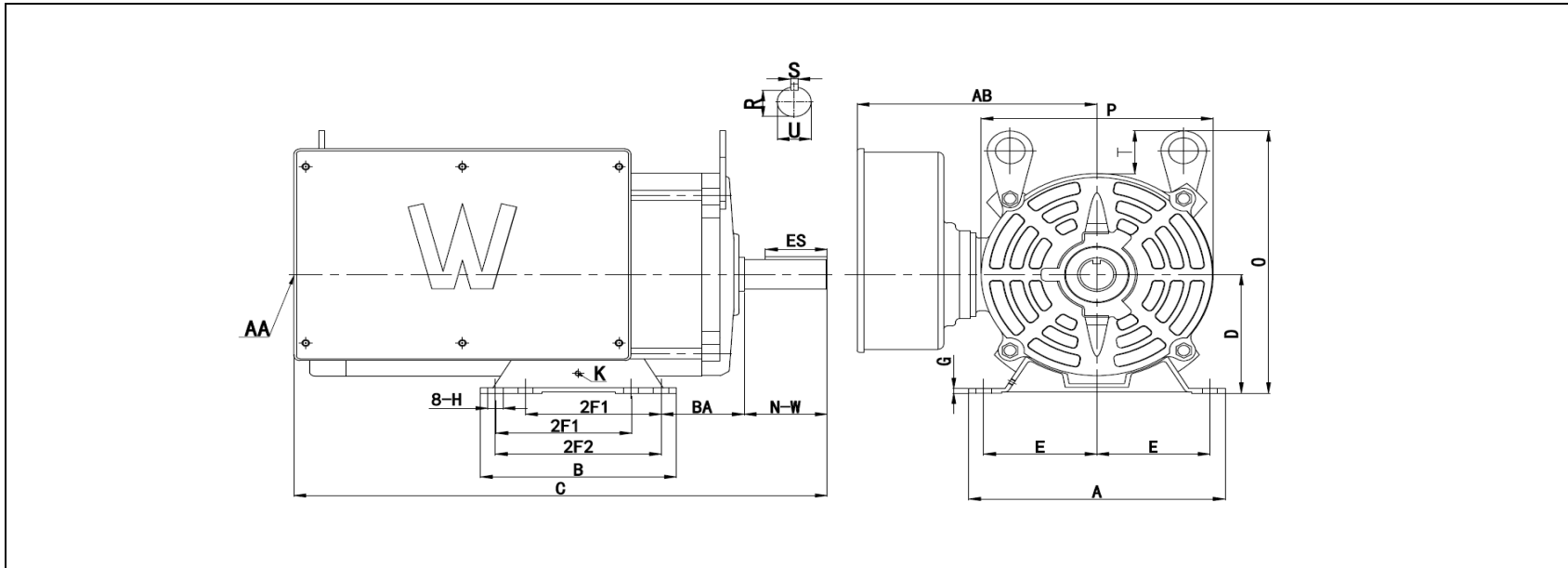
MOTOR DRAWING

Premium Efficiency Motor: **CDM5-18-184T**

WorldWide Electric Corporation

1 (800) 808-2131

Worldwideelectric.net



DIMENSION - INCHES

| MOUNTING | | | | | A | B | C | D | G | P | O | T | AB |
|----------|-----|-----|------|------|-----|-----|------|-----|------|-----|----|-----|----|
| E | 2F1 | 2F2 | H | BA | | | | | | | | | |
| 3.75 | 4.5 | 5.5 | 0.41 | 2.75 | 8.5 | 6.5 | 17.8 | 4.5 | 0.12 | 7.7 | 10 | 1.6 | 8 |

| SHAFT & KEY | | | | |
|-------------|------|-------|------|-------|
| S | ES | R | N-W | U |
| 0.25 | 1.78 | 0.986 | 2.75 | 1.125 |

| TERMINAL BOX | K - GND |
|--------------|---------|
| AA | LUG |
| 3/4"-14 NPT | M5 |

NAMEPLATE / WIRING

WorldWide Electric Corporation

1 (800) 808-2131

Worldwideelectric.net



Premium Efficiency Motor:

CDM5-18-184T

Document Generated: 1-Apr-2025
Document ID:

Customer:

SAMPLE NAMEPLATE DATA

| | | | | | |
|--|--|---|--|------------------|----------|
| | | OPEN DRIP PROOF SINGLE PHASE INDUCTION MOTOR | | | |
| Model : | | SN : | | Poles : | |
| HP : | | Encl : ODP | | IP 23 | |
| Hz : | | FR : | | Eff : | % |
| Volts : | | Ins : | | P.F. : | |
| Amps : | | CODE : | | DE BRG : | |
| RPM : | | WT : LBS | | ODE BRG : | |
| SF : | | Max Amb 40°C - CONT | | Date : | |
| WorldWide Electric Corporation | | | | | |
| <p>RATED VOLTAGE</p> <p>CONNECTED FOR CCW ROTATION FACING OPPOSITE DRIVE END</p> <p>TO REVERSE ROTATION INTERCHANGE LEAD 5 & 8</p> <p>MOTOR MUST BE GROUNDED, USE GREEN LEAD IF SUPPLIED PER THE NATIONAL ELECTRICAL CODE</p> | | | | | |

| | | | |
|----------------|--------------|----------------|------------|
| Model | CDM5-18-184T | Poles | 4 |
| HP | 5 | Encl | ODP |
| Hz | 60 Hz | IP | 23 |
| Voltage | 230 | Frame | 184T |
| Amps | -A/19.7A | Eff | 87.5% |
| RPM | 1765 | P.F. | 0.93 |
| S.F. | 1.15 | Code | G |
| | | DE Brg | 6306-ZZ |
| | | WT | 100.1 lbs. |
| | | ODE Brg | 6206-ZZ |