

# DATA SHEET

Premium Efficiency Motor: **CDM5-36-56HZ,**

**60 Hz**

WorldWide Electric Corporation

1 (800) 808-2131

Worldwideelectric.net



Document Generated: 1-Apr-2025  
Document ID:

Customer:

MOTOR INFORMATION	
HP	5
RPM	3600
Phase	1
Frequency	60 Hz
Voltage	230
Frame Size	56HZ
Enclosure	ODP
Degree of Protection	IP23
Service Factor	1.15
Poles	2
Full Load Speed	3527
Insulation Class	F
Temp Rise	80°C
NEMA Code Letter	G
Duty Cycle	S1 / Continuous
Slip	2.02%
NEMA Design	L
Moment of Inertia	0.1221 lb.ft.^2
Locked Rotor Time (Hot)	12 seconds
Sound Pressure Level	76 dB(A)
Number of Starts	2
Max Ambient Temperature	40°C
Max Elevation	1000 m.a.s.l (3300 f.a.s.l)
Mounting	F1
Rotation	Bi-Directional
Area of Classification	Safe
Inverter Rating	None
Standard	NEMA MG-1
Approvals	UL

EFFICIENCY/POWER FACTOR		
LOAD	EFF	P. F.
100%	86.5 %	0.98
75%	85.7 %	0.98
50%	81.8 %	0.97

TORQUE		
FULL LOAD	LRT	BDT
7.395 lb.ft.	188 %	213 %

AMPERAGE INFORMATION		
	115V	230V
Full Load Amps	-A	19A
Locked Rotor Amps	-A	131.9A
No Load Current	-A	3.32A
Usable at 208V	21A	

BEARING INFORMATION	
DE Bearing	6205-ZZ
ODE Bearing	6203-ZZ
Grease Type	NS7 ENS
DE Regreasing Interval	- Hours
ODE Regreasing Interval	- Hours
Grease Quantity	-

CAPACITOR INFORMATION	
Start Capacitor	1 - 300-360µF/330V
Run Capacitor	1 - 60µF/450V

ADDITIONAL DATA	
F2 Suitable	No
Shaft Material	AISI 1045
Connection Diagram	230 V
Approximate Weight	62 lbs.

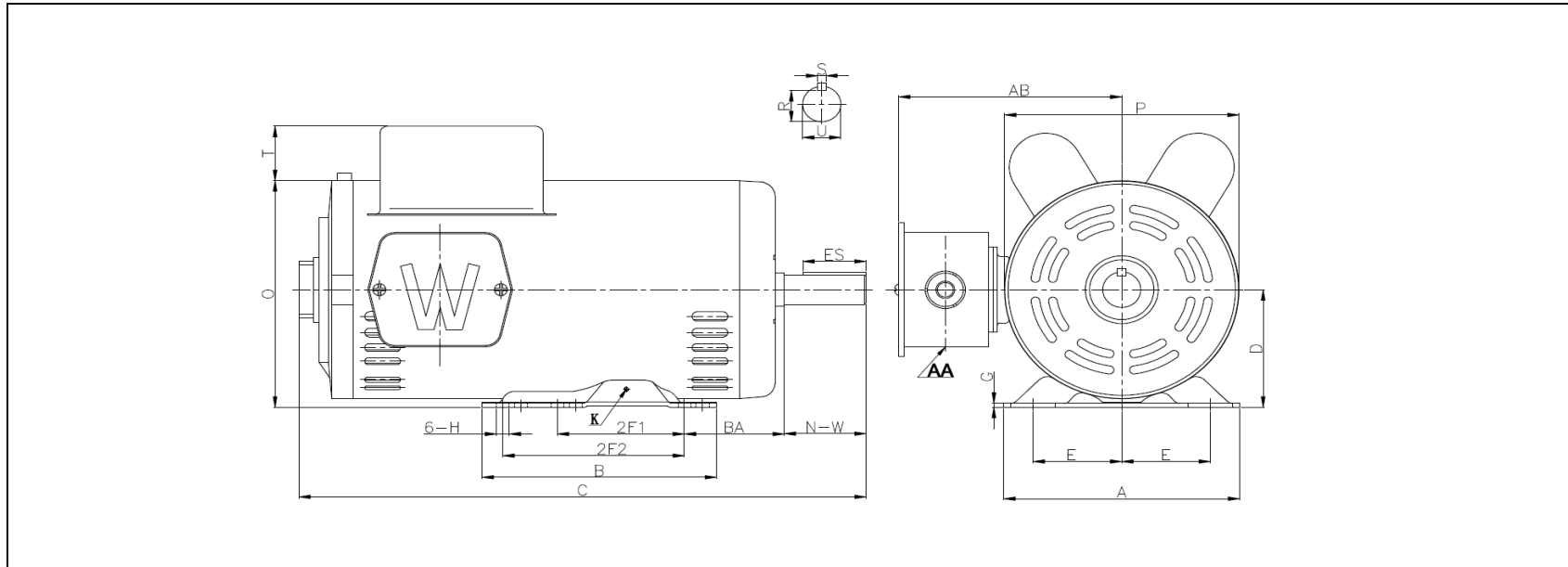
# MOTOR DRAWING

Premium Efficiency Motor: **CDM5-36-56HZ**

WorldWide Electric Corporation

1 (800) 808-2131

Worldwideelectric.net



## DIMENSION - INCHES

MOUNTING					A	B	C	D	G	P	O	T	AB
E	2F1	2F2	H	BA									
2.44	3	5	0.34	2.75	6.5	6.5	15.8	3.5	0.12	6.5	6.7	1.6	6.2

SHAFT & KEY				
S	ES	R	N-W	U
0.188	1.41	0.771	2.25	0.875

TERMINAL BOX	K - GND
AA	LUG
3x0.88"/2x1.109"	M5

# NAMEPLATE / WIRING

WorldWide Electric Corporation

1 (800) 808-2131

Worldwideelectric.net




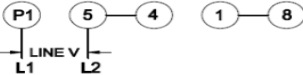


Premium Efficiency Motor: **CDM5-36-56HZ**

Document Generated: 1-Apr-2025  
Document ID:

Customer:

## SAMPLE NAMEPLATE DATA

		<b>OPEN DRIP PROOF SINGLE PHASE INDUCTION MOTOR</b>							
						<b>Model :</b>		<b>SN :</b>	
<b>HP :</b>		<b>Encl : ODP</b>		<b>IP 23</b>				<b>CONNECTED FOR CCW ROTATION FACING OPPOSITE DRIVE END</b>	
<b>Hz :</b>		<b>FR :</b>		<b>Eff : %</b>					
<b>Volts :</b>		<b>Ins : F</b>		<b>P.F. :</b>		<b>MOTOR MUST BE GROUNDED. USE GREEN LEAD IF SUPPLIED PER THE NATIONAL ELECTRICAL CODE</b>		<b>WorldWide Electric Corporation</b>	
<b>Amps :</b>		<b>CODE : G</b>		<b>DE BRG :</b>					
<b>RPM :</b>		<b>WT : LBS</b>		<b>ODE BRG :</b>					
<b>SF :</b>		<b>Max Amb 40°C – CONT</b>		<b>Date :</b>					

<b>Model</b>	CDM5-36-56HZ	<b>Poles</b>	2
<b>HP</b>	5	<b>Encl</b>	ODP
<b>Hz</b>	60 Hz	<b>IP</b>	23
<b>Voltage</b>	230	<b>Eff</b>	86.5%
<b>Amps</b>	-A/19A	<b>P.F.</b>	0.98
<b>RPM</b>	3527	<b>DE Brg</b>	6205-ZZ
<b>S.F.</b>	1.15	<b>ODE Brg</b>	6203-ZZ
		<b>Code</b>	G
		<b>WT</b>	62 lbs.