

DATA SHEET

Premium Efficiency Motor: **CDM7.5-18-213T,**

60 Hz

WorldWide Electric Corporation

1 (800) 808-2131

Worldwideelectric.net



Document Generated: 1-Apr-2025
Document ID:

Customer:

MOTOR INFORMATION	
HP	7.5
RPM	1800
Phase	1
Frequency	60 Hz
Voltage	230
Frame Size	213T
Enclosure	ODP
Degree of Protection	IP23
Service Factor	1.15
Poles	4
Full Load Speed	1764
Insulation Class	F
Temp Rise	80°C
NEMA Code Letter	F
Duty Cycle	S1 / Continuous
Slip	1.99%
NEMA Design	L
Moment of Inertia	0.725 lb.ft.^2
Locked Rotor Time (Hot)	12 seconds
Sound Pressure Level	70 dB(A)
Number of Starts	2
Max Ambient Temperature	40°C
Max Elevation	1000 m.a.s.l (3300 f.a.s.l)
Mounting	F1
Rotation	Bi-Directional
Area of Classification	Safe
Inverter Rating	None
Standard	NEMA MG-1
Approvals	UL

EFFICIENCY/POWER FACTOR		
LOAD	EFF	P. F.
100%	85.9 %	0.96
75%	84.9 %	0.95
50%	79.7 %	0.91

TORQUE		
FULL LOAD	LRT	BDT
21.97 lb.ft.	310 %	272 %

AMPERAGE INFORMATION		
	115V	230V
Full Load Amps	-A	28.9A
Locked Rotor Amps	-A	166.9A
No Load Current	-A	7.71A
Usable at 208V		32A

BEARING INFORMATION	
DE Bearing	6308-ZZ
ODE Bearing	6206-ZZ
Grease Type	NS7 ENS
DE Regreasing Interval	- Hours
ODE Regreasing Interval	- Hours
Grease Quantity	-

CAPACITOR INFORMATION	
Start Capacitor	1 - 550-660µF/330V
Run Capacitor	2 - 45µF/500V

ADDITIONAL DATA	
F2 Suitable	No
Shaft Material	AISI 1045
Connection Diagram	230 V
Approximate Weight	133.5 lbs.

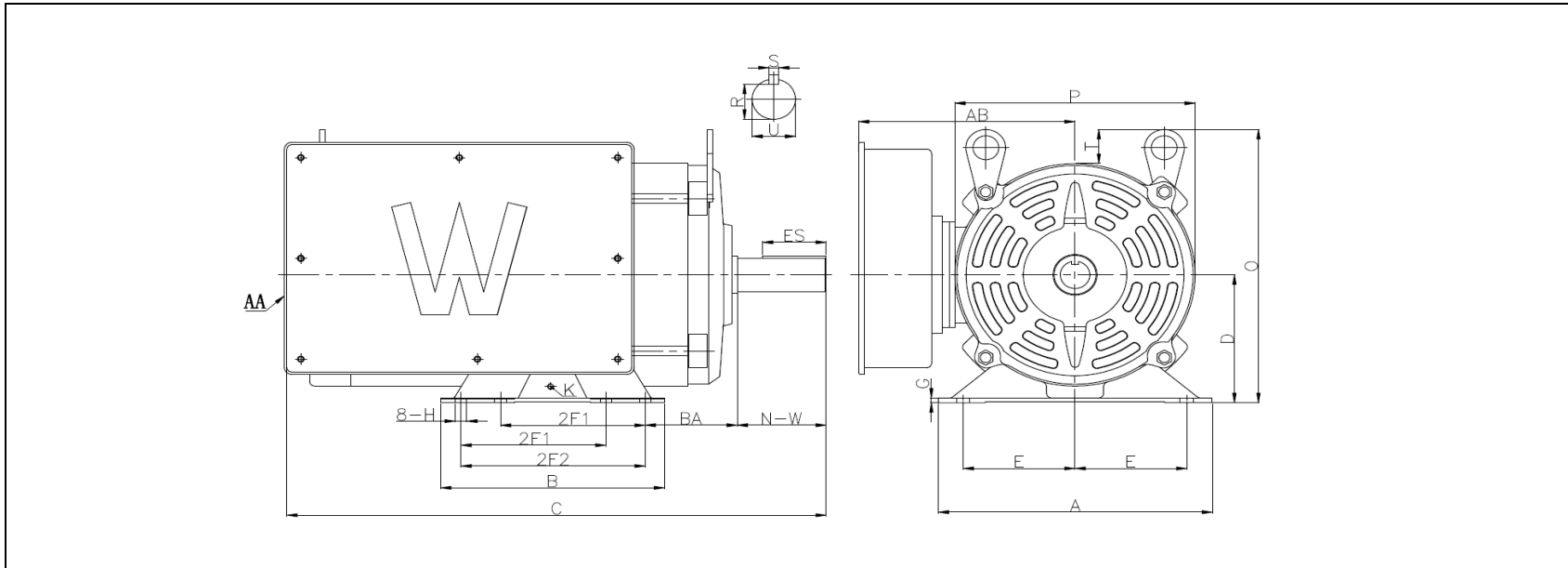
MOTOR DRAWING

Premium Efficiency Motor: **CDM7.5-18-213T**

WorldWide Electric Corporation

1 (800) 808-2131

Worldwideelectric.net



DIMENSION - INCHES

MOUNTING					A	B	C	D	G	P	O	T	AB
E	2F1	2F2	H	BA									
4.25	5.5	7	0.41	3.5	10.5	8.5	20.5	5.25	0.16	9.2	11.3	1.4	8.3

SHAFT & KEY				
S	ES	R	N-W	U
0.312	2.41	1.201	3.38	1.375

TERMINAL BOX	K - GND
AA	LUG
1"-11 NPT	M5

NAMEPLATE / WIRING

WorldWide Electric Corporation

1 (800) 808-2131

Worldwideelectric.net






Premium Efficiency Motor:

CDM7.5-18-213T

Document Generated: 1-Apr-2025
Document ID:

Customer:

SAMPLE NAMEPLATE DATA

		OPEN DRIP PROOF SINGLE PHASE INDUCTION MOTOR			
HP :	Encl : ODP	IP 23			
Hz :	FR :	Eff : %			
Volts :	Ins :	P.F. :			
Amps :	CODE :	DE BRG :			
RPM :	WT : LBS	ODE BRG :			
SF :	Max Amb 40°C - CONT	Date :			
WorldWide Electric Corporation					

Model	CDM7.5-18-213T	Poles	4
HP	7.5	Encl	ODP
Hz	60 Hz	IP	23
Voltage	230	Frame	213T
Amps	-A/28.9A	Eff	85.9%
RPM	1764	Ins	F
S.F.	1.15	Code	F
		WT	133.5 lbs.
		DE Brg	6308-ZZ
		ODE Brg	6206-ZZ