

DATA SHEET

Premium Efficiency Motor: **FD2-18-182T**,

60 Hz

WorldWide Electric Corporation

1 (800) 808-2131

Worldwideelectric.net



Document Generated: 7-Feb-2024

Document ID:

Customer:

MOTOR INFORMATION

HP	2
RPM	1800
Phase	1
Frequency	60 Hz
Voltage	230
Frame Size	182T
Enclosure	TEFC
Degree of Protection	IP55
Service Factor	1.15
Poles	4
Full Load Speed	1764
Insulation Class	F
Temp Rise	80°C
NEMA Code Letter	L
Duty Cycle	S1 / Continuous
Slip	2.03%
Max Ambient Temperature	40°C
Max Elevation	1000 m.a.s.l (3300 f.a.s.l)
Mounting	F1
Rotation	Bi-Directional
Mounting Type	Rigid Base
Standard	NEMA MG-1
Approvals	UL, CE

EFFICIENCY/POWER FACTOR

LOAD	EFF	P. F.
100%	84.0 %	91.6
75%	82.4 %	89.50
50%	77.1 %	84.2

TORQUE

FULL LOAD	LRT	BDT
5.99 lb.ft.	363 %	242 %

AMPERAGE INFORMATION

	230V
Full Load Amps	8.48A
Locked Rotor Amps	78.6A
No Load Current	3.01A
Usable at 208V	9.38A

BEARING INFORMATION

DE Bearing	6306ZZ C3
ODE Bearing	6206ZZ C3
Grease Type	NSK SN7

CAPACITOR INFORMATION

Start Capacitor	250-300uF/300V
Run Capacitor	(1)25uF/450V

ADDITIONAL DATA

F2 Suitable	No
Shaft Material	1045 Carbon Steel
Connection Diagram	230V - 4 Lead
Approximate Weight	67.1 lbs.

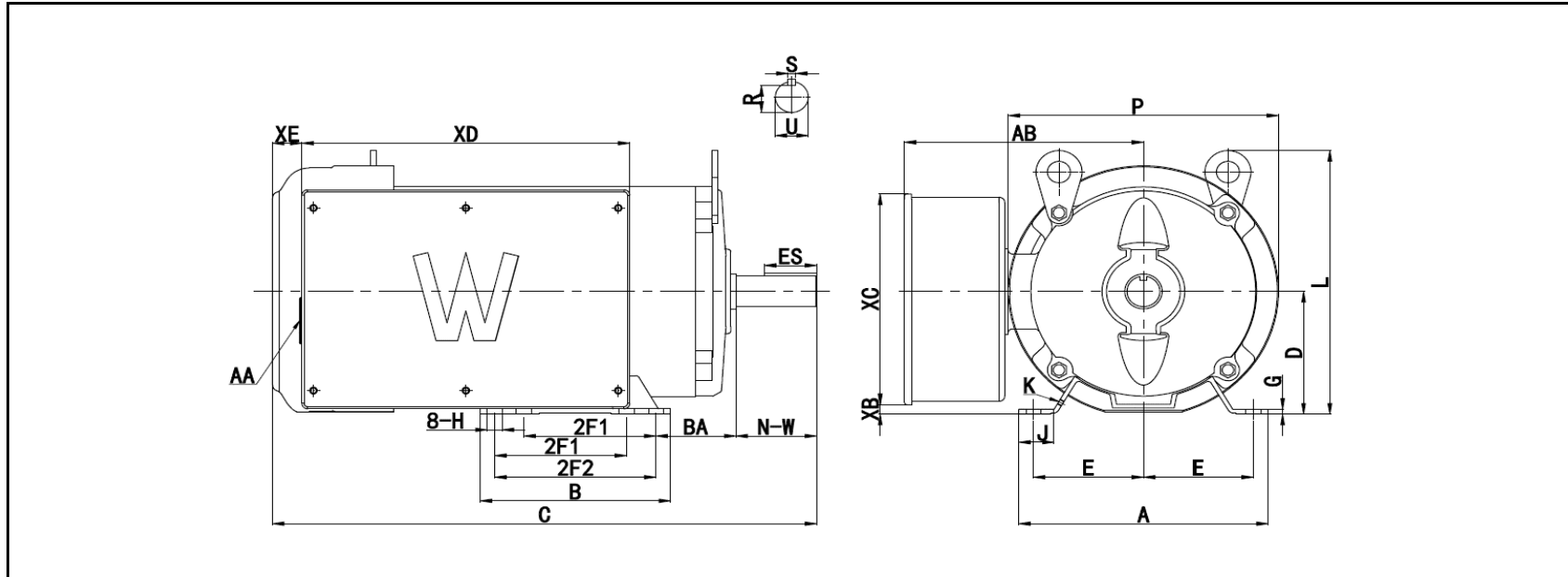
MOTOR DRAWING

Premium Efficiency Motor: **FD2-18-182T**

WorldWide Electric Corporation

1 (800) 808-2131

Worldwideelectric.net



DIMENSION - INCHES

MOUNTING					A	B	C	D	G	L	P	AB
E	2F1	2F2	H	BA								
3.75	4.5	5.5	0.41	2.75	8.5	6.5	18.6	4.5	0.11	10	9.2	8

KETSET	KEY			SHAFT		TERMINAL BOX				K	J
	R	ES	S	U	NW	XB	XC	XD	XE		
0.986	1.78	0.25	1.125	2.75	0.66	7.7	11.4	2	3/4-14 NPT	M5	1.2

NAMEPLATE / WIRING

WorldWide Electric Corporation

1 (800) 808-2131

Worldwideelectric.net



Premium Efficiency Motor: **FD2-18-182T**

Document Generated: 7-Feb-2024
Document ID:

Customer:

SAMPLE NAMEPLATE DATA

		HIGH EFFICIENCY-HIGH TORQUE SINGLE PHASE FARM DUTY MOTOR			
HP :		Encl : TEFC	IP 55		
Hz :	60	FR :	Eff :		
Volts :	230	Ins : F	P.F. :		
Amps :		CODE :	DE BRG :		
RPM :		WT : LBS	ODE BRG :		
SF :	1.15	Max Amb 40°C - CONT	Date :		
WorldWide Electric Corporation					

Model	FD2-18-182T				
HP	2	Encl	TEFC	IP	IP55
Hz	60 Hz	Frame	182T	Nom.Eff.	84.0%
Voltage	230	Ins Cl	F	P.F.	91.6
Amps	8.48A	Code	L	DE Brng	6306ZZ C3
RPM	1763.5	WT:	67.1 lbs.	ODE Brng	6206ZZ C3
S.F.	1.15				