

# DATA SHEET

Premium Efficiency Motor: **FM13-18-56**

**60 Hz**

WorldWide Electric Corporation

1 (800) 808-2131

Worldwideelectric.net



Document Generated: 2-Mar-2023

Document ID:

Customer:

## MOTOR INFORMATION

HP	1/3
RPM	1800
Phase	1
Frequency	60 Hz
Voltage	115/230
Frame Size	56
Enclosure	TEFC
Degree of Protection	IP54
Service Factor	1.15
Poles	4
Full Load Speed	1725
Insulation Class	F
Temp Rise	80°C
NEMA Code Letter	N
Duty Cycle	S1 / Continuous
Slip	4.17%
Max Ambient Temperature	40°C
Max Elevation	1000 m.a.s.l (3300 f.a.s.l)
Mounting	F1
Rotation	Bi-Directional
Mounting Type	Rigid
Standard	NEMA MG-1
Approvals	CSA, CE
Overload	Manual Overload

## EFFICIENCY/POWER FACTOR

LOAD	EFF	P. F.
100%	64.1 %	65.1
75%	61.1 %	56.6
50%	54.1 %	46.0

## TORQUE

FULL LOAD	LRT	BDT
1.02 lb.ft.	450 %	250 %

## AMPERAGE INFORMATION

	115V	230V
Full Load Amps	5.2	2.6
Locked Rotor Amps	33.3	16.6
No Load Current	4.03	2.015

## BEARING INFORMATION

DE Bearing	6203 2RS
ODE Bearing	6203 2RS

## CAPACITOR INFORMATION

Start Capacitor	(1)300uF/165V
Run Capacitor	--

## ADDITIONAL DATA

F2 Suitable	No
Shaft Material	1045 Carbon Steel
Connection Diagram	115/230V - 6 Lead
Approximate Weight	22 lbs.

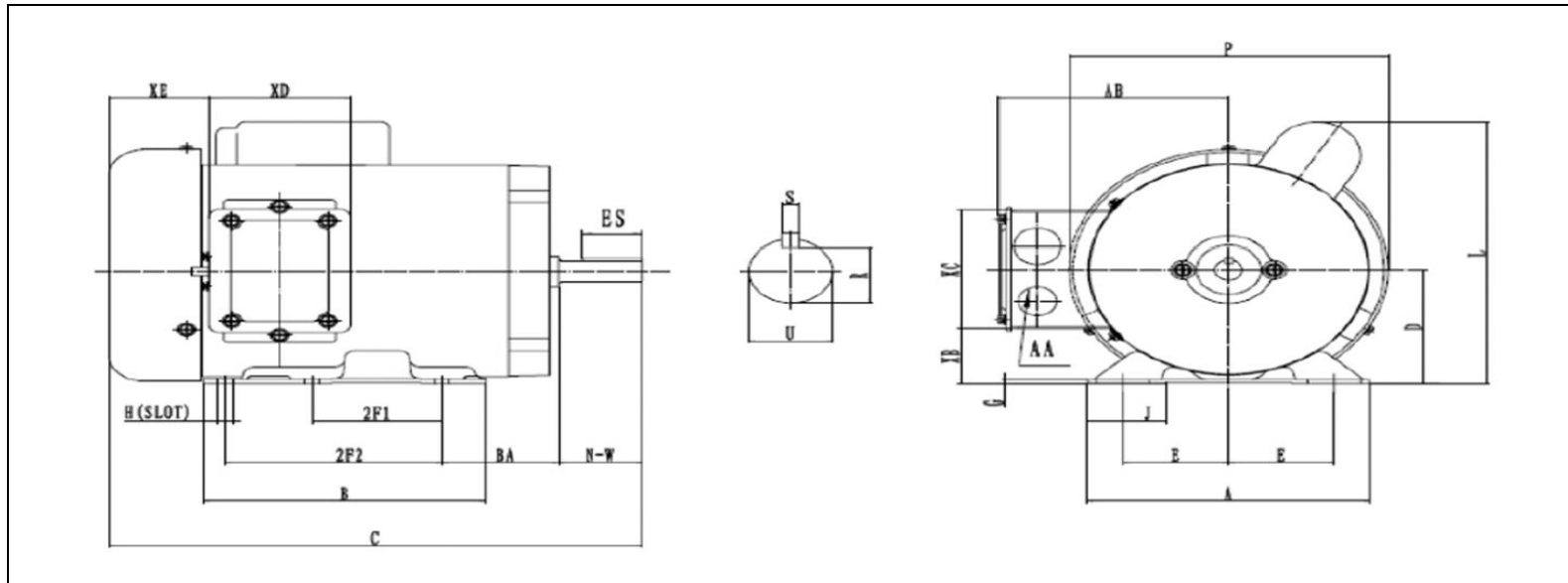
# MOTOR DRAWING

Premium Efficiency Motor: **FM13-18-56**

WorldWide Electric Corporation

1 (800) 808-2131

Worldwideelectric.net



## DIMENSION - INCHES

MOUNTING					A	B	C	D	G	L	P	AB	J
E	2F1	2F2	H	BA									
2.44	3	5	0.34	2.75	6.54	6.54	11.9	3.5	0.12	8.2	7.3	5.2	1.65

SHAFT & KEY				
R	ES	S	U	NW
0.517	1.41	0.188	0.625	1.88

TERMINAL BOX				
XB	XC	XD	XE	AA
1.65	3.7	3.2	2.15	2-0.88/2-1.109

# NAMEPLATE / WIRING

Premium Efficiency Motor: **FM13-18-56**

WorldWide Electric Corporation

1 (800) 808-2131

Worldwideelectric.net



Document Generated: 2-Mar-2023  
Document ID:

Customer:

## SAMPLE NAMEPLATE DATA

		<b>SINGLE PHASE INDUCTION MOTOR</b>			
<b>MODEL</b>	<b>FRAME 56C</b>	<b>LOW VOLTAGE</b>		<b>HIGH VOLTAGE</b>	
<b>Hz</b> 60	<b>ENCL. TEFC</b>	BLUE (T1)	] LINE1	BLUE (T1)	LINE1
<b>HP</b>	<b>PH 1</b>	ORANGE (T3)		ORANGE (T3)	] INS
<b>RPM</b>	<b>DUTY CONT</b>	RED (T8)	] LINE2	RED (T8)	
<b>VOLTS 115/230</b>	<b>CODE</b>	WHITE (T2)		WHITE (T2)	
<b>AMPS</b>	<b>INS. F IP43</b>	YELLOW (T4)	YELLOW (T4)	BLACK (T5)	BLACK (T5)
	<b>DES.</b>	BLACK (T5)			
<b>S. F. 1.15</b>	<b>LB/WT</b>	ACCEPTABLE FOR FIELD WIRING			
<b>SFA.</b>	<b>MAX. AMB. 40°C</b>	ROTATION CCW-OPE TO REVERSE EITHER VOLTAGE			
<b>DE/ODE BRG.</b>	<b>Date Code XXX/XXXXX</b>	INTERCHANGE BLACK (T5) AND RED (T8) LEADS			
		THERMALLY PROTECTED : NONE			
<b>SERIAL NO. XXXXXXXXXXXX</b>		<b>WorldWide Electric Corporation</b>			

**MADE IN CHINA**

<b>Model</b>	FM13-18-56	<b>Frame</b>	56
<b>Hz</b>	60 Hz	<b>Encl</b>	TEFC
<b>HP</b>	1/3	<b>PH</b>	1
<b>RPM</b>	1725	<b>DUTY</b>	CONT
<b>Voltage</b>	115/230	<b>Code</b>	N
<b>Amps</b>	5.2/2.6	<b>Ins Cl</b>	F
<b>S.F.</b>	1.15	<b>IP</b>	IP54
<b>SFA.</b>	5.6/2.8	<b>DES.</b>	N
<b>DE Brng</b>	6203 2RS	<b>WT:</b>	22 lbs.
<b>ODE Brng</b>	6203 2RS		