

DATA SHEET

Premium Efficiency Motor: **FM2-18-56HZ**

60 Hz

WorldWide Electric Corporation

1 (800) 808-2131

Worldwideelectric.net



Document Generated: 31-Mar-2023
Document ID:

Customer:

MOTOR INFORMATION	
HP	2
RPM	1800
Phase	1
Frequency	60 Hz
Voltage	115/230
Frame Size	56HZ
Enclosure	TEFC
Degree of Protection	IP54
Service Factor	1.15
Poles	4
Full Load Speed	1725
Insulation Class	F
Temp Rise	80°C
NEMA Code Letter	M
Duty Cycle	S1 / Continuous
Slip	4.17%
Max Ambient Temperature	40°C
Max Elevation	1000 m.a.s.l (3300 f.a.s.l)
Mounting	F1
Rotation	Bi-Directional
Mounting Type	Rigid
Standard	NEMA MG-1
Approvals	CSA, CE
Overload	Manual Overload

EFFICIENCY/POWER FACTOR		
LOAD	EFF	P. F.
100%	78.7 %	82
75%	78.5 %	74.4
50%	74.8 %	61.6

TORQUE		
FULL LOAD	LRT	BDT
6.13 lb.ft.	305 %	235 %

AMPERAGE INFORMATION		
	115V	230V
Full Load Amps	19.6	9.8
Locked Rotor Amps	145.3	72.6
No Load Current	16.85	8.425

BEARING INFORMATION	
DE Bearing	6203 2RS
ODE Bearing	6203 2RS

CAPACITOR INFORMATION	
Start Capacitor	(1)800uF/165V
Run Capacitor	(1)40uF/250V

ADDITIONAL DATA	
F2 Suitable	No
Shaft Material	1045 Carbon Steel
Connection Diagram	115/230V - 6 Lead
Approximate Weight	44.5 lbs.

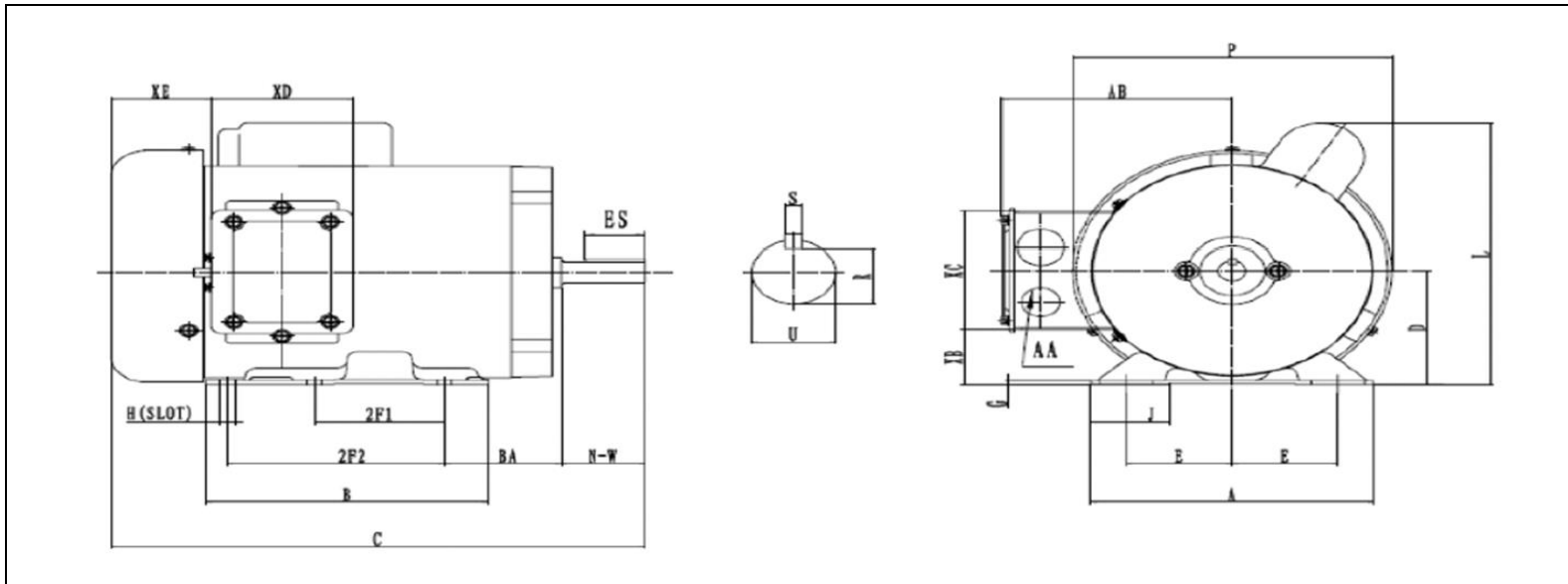
MOTOR DRAWING

Premium Efficiency Motor: **FM2-18-56HZ**

WorldWide Electric Corporation

1 (800) 808-2131

Worldwideelectric.net



DIMENSION - INCHES

MOUNTING					A	B	C	D	G	L	P	AB	J
E	2F1	2F2	H	BA									
2.44	3	5	0.34	2.75	6.54	6.54	14.4	3.5	0.12	8.7	8.2	5.2	1.65

SHAFT & KEY				
R	ES	S	U	NW
0.771	1.41	0.188	0.875	2.25

TERMINAL BOX				
XB	XC	XD	XE	AA
1.65	3.7	3.2	2.15	2-0.88/2-1.109

NAMEPLATE / WIRING

Premium Efficiency Motor: **FM2-18-56HZ**

WorldWide Electric Corporation

1 (800) 808-2131




Worldwideelectric.net



Document Generated: 31-Mar-2023
Document ID:

Customer:

SAMPLE NAMEPLATE DATA

		SINGLE PHASE INDUCTION MOTOR			
MODEL	FRAME 56C	LOW VOLTAGE		HIGH VOLTAGE	
Hz 60	ENCL. TEFC	BLUE (T1)] LINE1	BLUE (T1)	LINE1
HP	PH 1	ORANGE (T3)		ORANGE (T3)] INS
RPM	DUTY CONT	RED (T8)] LINE2	RED (T8)	
VOLTS 115/230	CODE	WHITE (T2)		WHITE (T2)	
AMPS	INS. F IP43	YELLOW (T4)	YELLOW (T4)	BLACK (T5)	BLACK (T5)
	DES.	BLACK (T5)			
S. F. 1.15	LB/WT	ACCEPTABLE FOR FIELD WIRING ROTATION CCW-OPE TO REVERSE EITHER VOLTAGE INTERCHANGE BLACK (T5) AND RED (T8) LEADS THERMALLY PROTECTED : NONE			
SFA.	MAX. AMB. 40°C	MADE IN CHINA			
DE/ODE BRG.	Date Code XXX/XXXXX				
SERIAL NO. XXXXXXXXXXXX		WorldWide Electric Corporation			

Model	FM2-18-56HZ	Frame	56HZ
Hz	60 Hz	Encl	TEFC
HP	2	PH	1
RPM	1725	DUTY	CONT
Voltage	115/230	Code	M
Amps	19.6/9.8	Ins Cl	F
S.F.	1.15	IP	IP54
SFA.	22.8/11.4	DES.	L
DE Brng	6203 2RS	WT:	44.5 lbs.
ODE Brng	6203 2RS		