

DATA SHEET

Premium Efficiency Motor: **FM34-18-56**

60 Hz

WorldWide Electric Corporation

1 (800) 808-2131

Worldwideelectric.net



Document Generated: 2-Mar-2023
Document ID:

Customer:

MOTOR INFORMATION	
HP	3/4
RPM	1800
Phase	1
Frequency	60 Hz
Voltage	115/230
Frame Size	56
Enclosure	TEFC
Degree of Protection	IP54
Service Factor	1.15
Poles	4
Full Load Speed	1725
Insulation Class	F
Temp Rise	80°C
NEMA Code Letter	M
Duty Cycle	S1 / Continuous
Slip	4.17%
Max Ambient Temperature	40°C
Max Elevation	1000 m.a.s.l (3300 f.a.s.l)
Mounting	F1
Rotation	Bi-Directional
Mounting Type	Rigid
Standard	NEMA MG-1
Approvals	CSA, CE
Overload	Manual Overload

EFFICIENCY/POWER FACTOR		
LOAD	EFF	P. F.
100%	69.8 %	71.8
75%	68.9 %	63.2
50%	64.0 %	51.0

TORQUE		
FULL LOAD	LRT	BDT
2.25 lb.ft.	385 %	215 %

AMPERAGE INFORMATION		
	115V	230V
Full Load Amps	10	5
Locked Rotor Amps	62.1	31.0
No Load Current	6.62	3.31

BEARING INFORMATION	
DE Bearing	6203 2RS
ODE Bearing	6203 2RS

CAPACITOR INFORMATION	
Start Capacitor	(1)500uF/165V
Run Capacitor	--

ADDITIONAL DATA	
F2 Suitable	No
Shaft Material	1045 Carbon Steel
Connection Diagram	115/230V - 6 Lead
Approximate Weight	28.5 lbs.

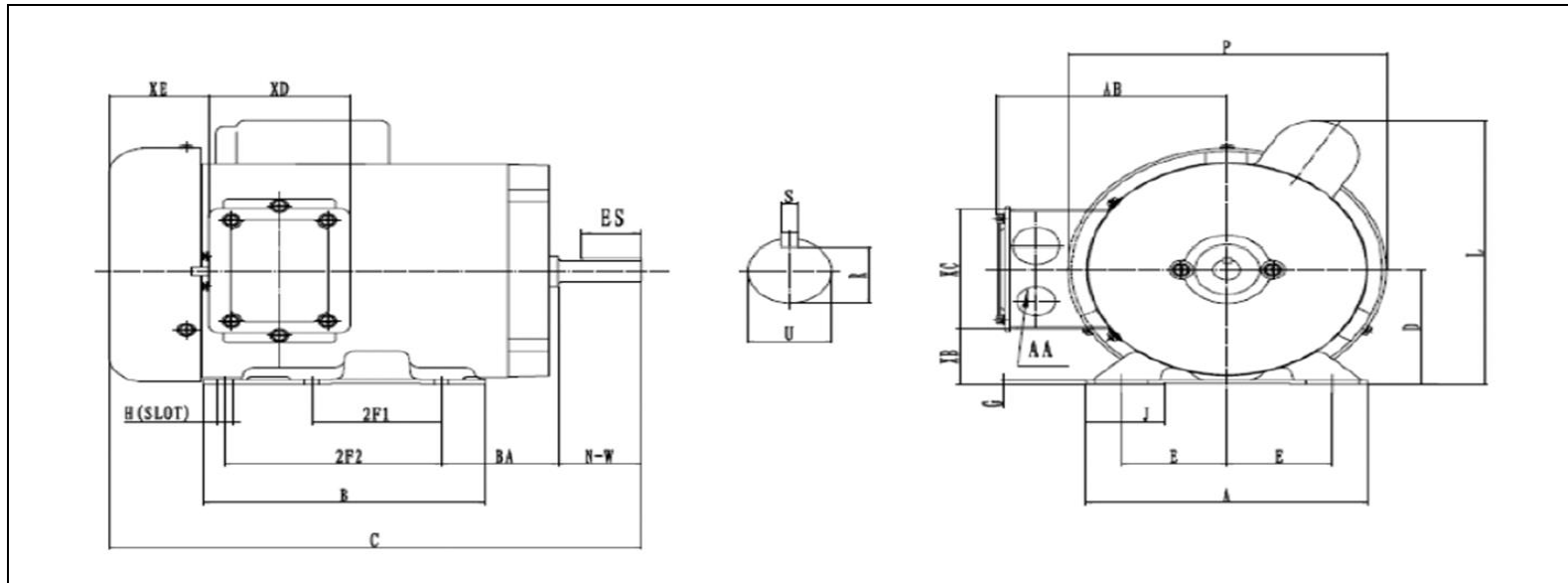
MOTOR DRAWING

Premium Efficiency Motor: **FM34-18-56**

WorldWide Electric Corporation

1 (800) 808-2131

Worldwideelectric.net



DIMENSION - INCHES

MOUNTING					A	B	C	D	G	L	P	AB	J
E	2F1	2F2	H	BA									
2.44	3	5	0.34	2.75	6.54	6.54	12.4	3.5	0.12	8.2	7.3	5.2	1.65

SHAFT & KEY				
R	ES	S	U	NW
0.517	1.41	0.188	0.625	1.88

TERMINAL BOX				
XB	XC	XD	XE	AA
1.65	3.7	3.2	2.15	2-0.88/2-1.109

NAMEPLATE / WIRING

Premium Efficiency Motor: **FM34-18-56**

WorldWide Electric Corporation

1 (800) 808-2131

Worldwideelectric.net



Document Generated: 2-Mar-2023
Document ID:

Customer:

SAMPLE NAMEPLATE DATA

		SINGLE PHASE INDUCTION MOTOR			
MODEL	FRAME 56C	LOW VOLTAGE		HIGH VOLTAGE	
Hz 60	ENCL. TEFC	BLUE (T1)] LINE1	BLUE (T1)	LINE1
HP	PH 1	ORANGE (T3)		ORANGE (T3)] INS
RPM	DUTY CONT	RED (T8)] LINE2	RED (T8)	
VOLTS 115/230	CODE	WHITE (T2)		WHITE (T2)	
AMPS	INS. F IP43	YELLOW (T4)	YELLOW (T4)	BLACK (T5)	BLACK (T5)
	DES.	BLACK (T5)			
S. F. 1.15	LB/WT	ACCEPTABLE FOR FIELD WIRING			
SFA.	MAX. AMB. 40°C	ROTATION CCW-OPE TO REVERSE EITHER VOLTAGE			
DE/ODE BRG.	Date Code XXX/XXXXX	INTERCHANGE BLACK (T5) AND RED (T8) LEADS			
		THERMALLY PROTECTED : NONE			
SERIAL NO. XXXXXXXXXXXX		WorldWide Electric Corporation			

MADE IN CHINA

Model	FM34-18-56	Frame	56
Hz	60 Hz	Encl	TEFC
HP	3/4	PH	1
RPM	1725	DUTY	CONT
Voltage	115/230	Code	M
Amps	10.0/5.0	Ins Cl	F
S.F.	1.15	IP	IP54
SFA.	11.0/5.5	DES.	N
DE Brng	6203 2RS	WT:	28.5 lbs.
ODE Brng	6203 2RS		