

# DATA SHEET

Premium Efficiency Motor: **IOW3-12-213T**

**60 Hz**

WorldWide Electric Corporation

1 (800) 808-2131

Worldwideelectric.net



Document Generated: 8-Mar-2024  
Document ID:

Customer:

MOTOR INFORMATION	
HP	3
RPM	1200
Phase	3
Frequency	60 Hz
Voltage	230/460/796
Frame Size	213T
Enclosure	TEFC
Degree of Protection	IP55
Service Factor	1.15
Poles	6
Full Load Speed	1110
Insulation Class	F
Temp Rise	80°C
NEMA Code Letter	H
Duty Cycle	S1 / Continuous
Slip	7.50%
NEMA Design	D
Moment of Inertia	0.63 lb.ft.^2
Locked Rotor Time (Hot)	7 seconds
Sound Pressure Level	71 dB(A)
Number of Starts	2 Cold / 1 Hot
Max Ambient Temperature	40°C
Max Elevation	1000 m.a.s.l (3300 f.a.s.l)
Mounting	F2
Rotation	Bi-Directional
Area of Classification	Class 1, Division 2, Groups A, B, C, D -
Inverter Rating	No
Standard	NEMA MG-1
Approvals	CSA-US, CE

EFFICIENCY/POWER FACTOR		
LOAD	EFF	P. F.
100%	79.0 %	0.76
75%	80.7 %	0.69
50%	79.2 %	0.56

TORQUE		
FULL LOAD	LRT	BDT
14.2 lb.ft.	312 %	280 %

AMPERAGE INFORMATION			
	230V	460V	796V
Full Load Amps	9.36A	4.7A	2.71A
Locked Rotor Amps	47.4A	23.7A	13.7A
No Load Current	4.6A	2.3A	1.3A

BEARING INFORMATION	
DE Bearing	6308 2Z/C3
ODE Bearing	6308 2Z/C3
Grease Type	MOBIL POLYREX EM
DE Regreasing Interval	-- Hours
ODE Regreasing Interval	-- Hours
Grease Quantity DE/ODE	--

ADDITIONAL DATA	
F1 Suitable	Yes
Shaft Material	1045 Carbon Steel
Connection Diagram	230/460/796 V - 12 Lead ΔΔ/Δ/Y
Approximate Weight	128 lbs.

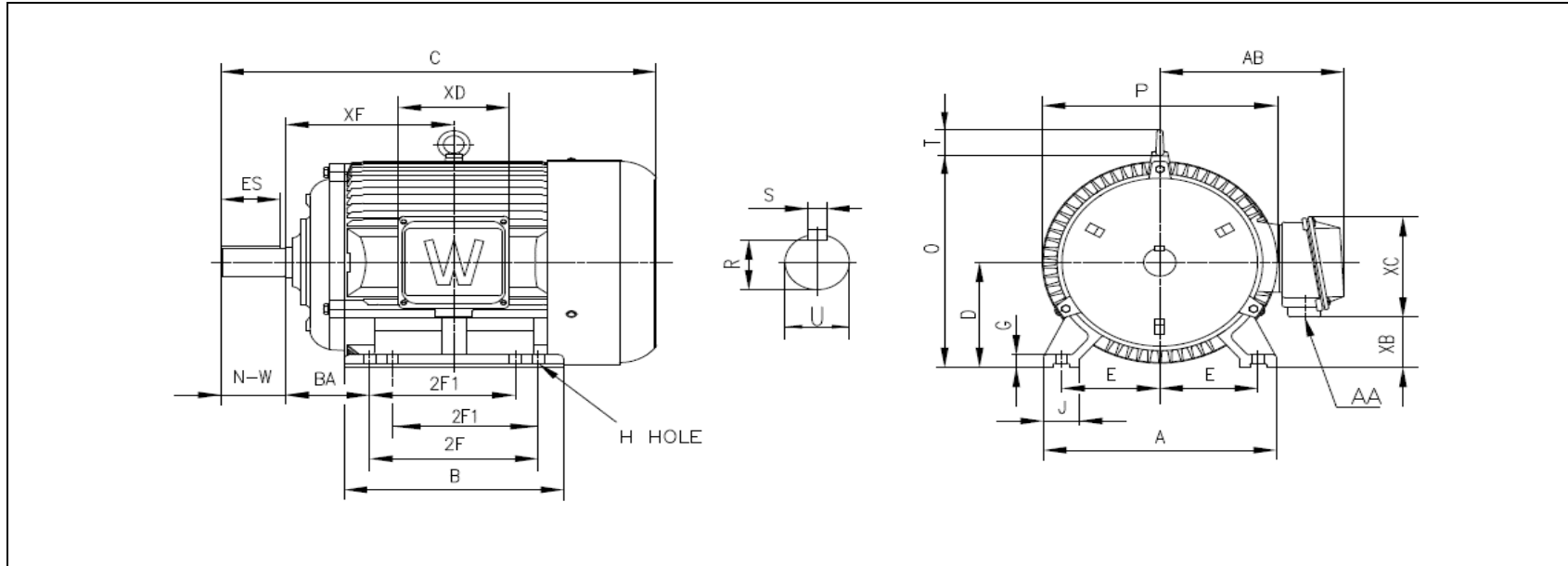
# MOTOR DRAWING

Premium Efficiency Motor: **IOW3-12-213T**

WorldWide Electric Corporation

1 (800) 808-2131

Worldwideelectric.net



## DIMENSION - INCHES

MOUNTING					A	B	C	D	G	J	P	O	T	AB
E	2F1	2F	H	BA										
4.25	--	5.5	0.41	3.5	10.31	7.32	18.61	5.25	0.71	2.36	10.4	10.52	1.73	8.27

SHAFT & KEY				
S	ES	R	N-W	U
0.312	2.41	1.201	3.38	1.375

TERMINAL BOX				
AA	XB	XC	XD	XF
1 NPT	3.3	5.1	4.6	6.25

# PERFORMANCE CURVES

Premium Efficiency Motor:

**IOW3-12-213T**

WorldWide Electric Corporation

1 (800) 808-2131

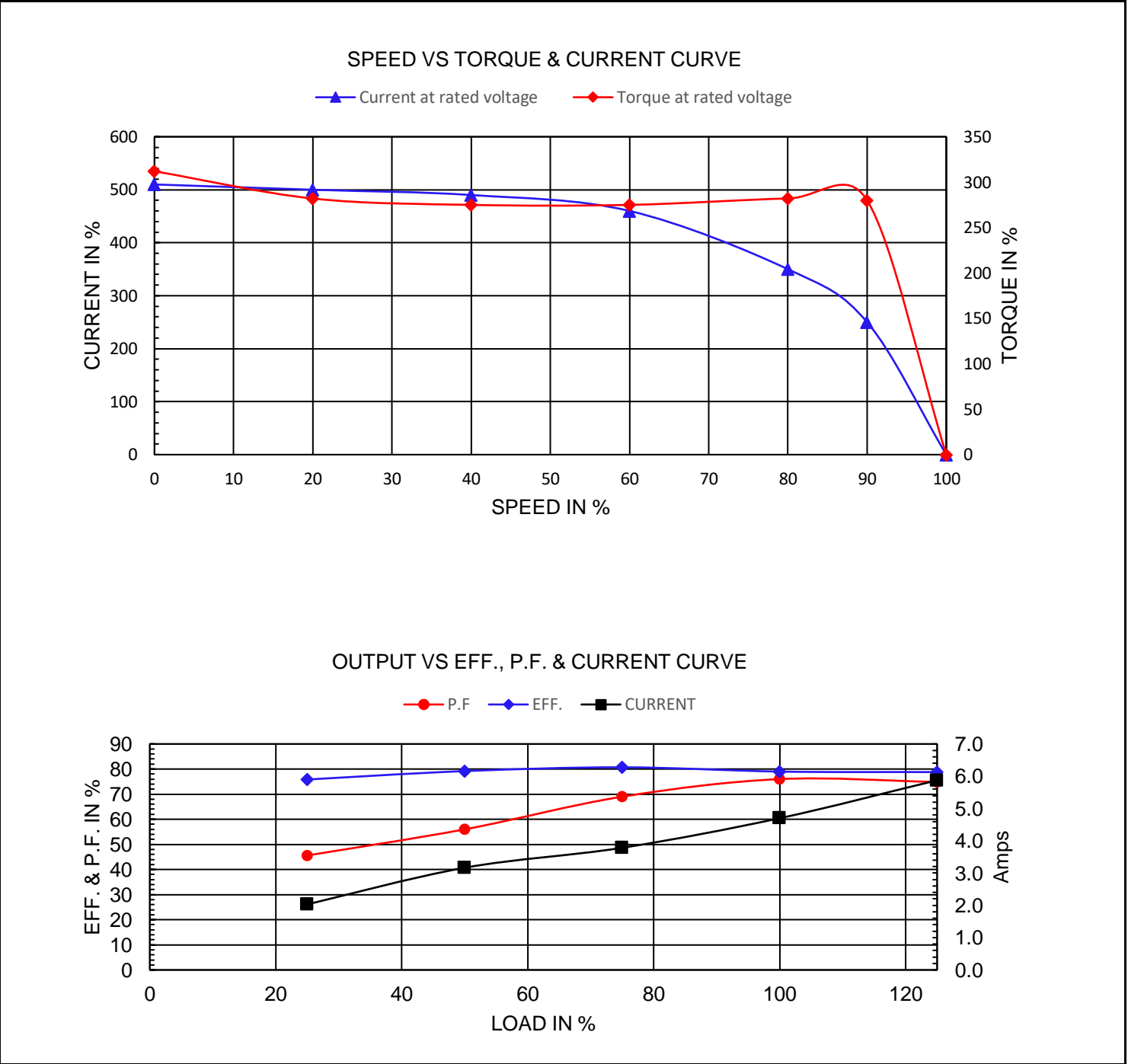
Worldwideelectric.net



Document Generated: 8-Mar-2024  
Document ID:

Customer:

Motor Type	PEWWE					
Output Rating (HP)	3		FL Speed	1110	796 volt FLA	2.71 A
Full Load Torque	14.2 lb.ft		LRT (%FLT)	312	460 volt FLA	4.7 A
Rotor Wk^2	0.63 lb-ft^2		BDT (%FLT)	280	230 volt FLA	9.36 A



# NAMEPLATE / WIRING

WorldWide Electric Corporation

1 (800) 808-2131

Worldwideelectric.net



Premium Efficiency Motor:

**IOW3-12-213T**

Document Generated: 8-Mar-2024  
Document ID:

Customer:

## SAMPLE NAMEPLATE DATA

				<b>OIL WELL PUMPING 3 PHASE</b>		259277				
				<b>INDUSTRIAL ELECTRIC MOTOR</b>						
Model	<input type="text"/>	Ser No.	<input type="text"/>	TYPE	<input type="text"/>					
HP	<input type="text"/>	FR	<input type="text"/>	Encl	<input type="text"/>	IP	<input type="text"/>			
Voltage	<input type="text"/>	Hz	<input type="text"/>	Design	<input type="text"/>					
AMPS	<input type="text"/>	RPM	<input type="text"/>	Ins Cl	<input type="text"/>					
Rating	<input type="text"/>	°C Amb Cont	<input type="text"/>	S.F.	<input type="text"/>	kVA Code	<input type="text"/>			
Eff.	<input type="text"/>	%		Power Factor	<input type="text"/>					
DE Brng	<input type="text"/>	ODE Brng	<input type="text"/>							
Locked Rotor Torque/Rated Torque	<input type="text"/>		% <input type="text"/>							
CLASS I DIV. 2 Groups A B C D		T3-200°C		Date	<input type="text"/>					
<b>WorldWide Electric Corporation</b>										

**CONNECTION**

230V 2Δ	460V Δ	796V Y
⑥ ④ ⑤	④ ⑤ ⑥	④ ⑤ ⑥
⑦ ⑧ ⑨	⑦ ⑧ ⑨	⑦ ⑧ ⑨
⑫ ⑩ ⑪	⑫ ⑩ ⑪	⑫ ⑩ ⑪
① ② ③	① ② ③	① ② ③
L1 L2 L3	L1 L2 L3	L1 L2 L3

Made in China

Model	<input type="text" value="IOW3-12-213T"/>	
HP	<input type="text" value="3"/>	Frame <input type="text" value="213T"/> Encl <input type="text" value="TEFC"/> IP <input type="text" value="IP55"/>
Voltage	<input type="text" value="230/460/796"/>	Hz <input type="text" value="60"/> Design <input type="text" value="D"/>
Amps	<input type="text" value="9.36/4.7/2.71"/>	RPM <input type="text" value="1110"/> Ins Cl <input type="text" value="F"/>
Rating	<input type="text" value="40°C Amb Cont"/>	S.F. <input type="text" value="1.15"/> kVA Code <input type="text" value="H"/>
Eff.	<input type="text" value="79.0%"/>	P.F. <input type="text" value="0.76"/>
DE Brng	<input type="text" value="6308 2Z/C3"/>	ODE Brng <input type="text" value="6308 2Z/C3"/>
Locked Rotor Torque/Rated Torque	<input type="text" value="312%"/>	