

DATA SHEET

Premium Efficiency Motor: **IOW3-9-215T**

60 Hz

WorldWide Electric Corporation

1 (800) 808-2131

Worldwideelectric.net



Document Generated: 8-Mar-2024
Document ID:

Customer:

MOTOR INFORMATION	
HP	3
RPM	900
Phase	3
Frequency	60 Hz
Voltage	230/460/796
Frame Size	215T
Enclosure	TEFC
Degree of Protection	IP55
Service Factor	1.15
Poles	8
Full Load Speed	844
Insulation Class	F
Temp Rise	80°C
NEMA Code Letter	H
Duty Cycle	S1 / Continuous
Slip	6.22%
NEMA Design	D
Moment of Inertia	0.847 lb.ft.^2
Locked Rotor Time (Hot)	7 seconds
Sound Pressure Level	72 dB(A)
Number of Starts	2 Cold / 1 Hot
Max Ambient Temperature	40°C
Max Elevation	1000 m.a.s.l (3300 f.a.s.l)
Mounting	F2
Rotation	Bi-Directional
Area of Classification	Safe Area
Inverter Rating	No
Standard	NEMA MG-1
Approvals	CE

EFFICIENCY/POWER FACTOR		
LOAD	EFF	P. F.
100%	81.0 %	0.7
75%	82.6 %	0.60
50%	80.7 %	0.49

TORQUE		
FULL LOAD	LRT	BDT
18.7 lb.ft.	325 %	330 %

AMPERAGE INFORMATION			
	230V	460V	796V
Full Load Amps	9.8A	4.9A	2.83A
Locked Rotor Amps	50.4A	25.2A	14.5A
No Load Current	6.42A	3.21A	1.9A

BEARING INFORMATION	
DE Bearing	6308 2Z/C3
ODE Bearing	6308 2Z/C3
Grease Type	MOBIL POLYREX EM
DE Regreasing Interval	-- Hours
ODE Regreasing Interval	-- Hours
Grease Quantity DE/ODE	--

ADDITIONAL DATA	
F1 Suitable	Yes
Shaft Material	1045 Carbon Steel
Connection Diagram	230/460/796 V - 12 Lead ΔΔ/Δ/Y
Approximate Weight	150 lbs.

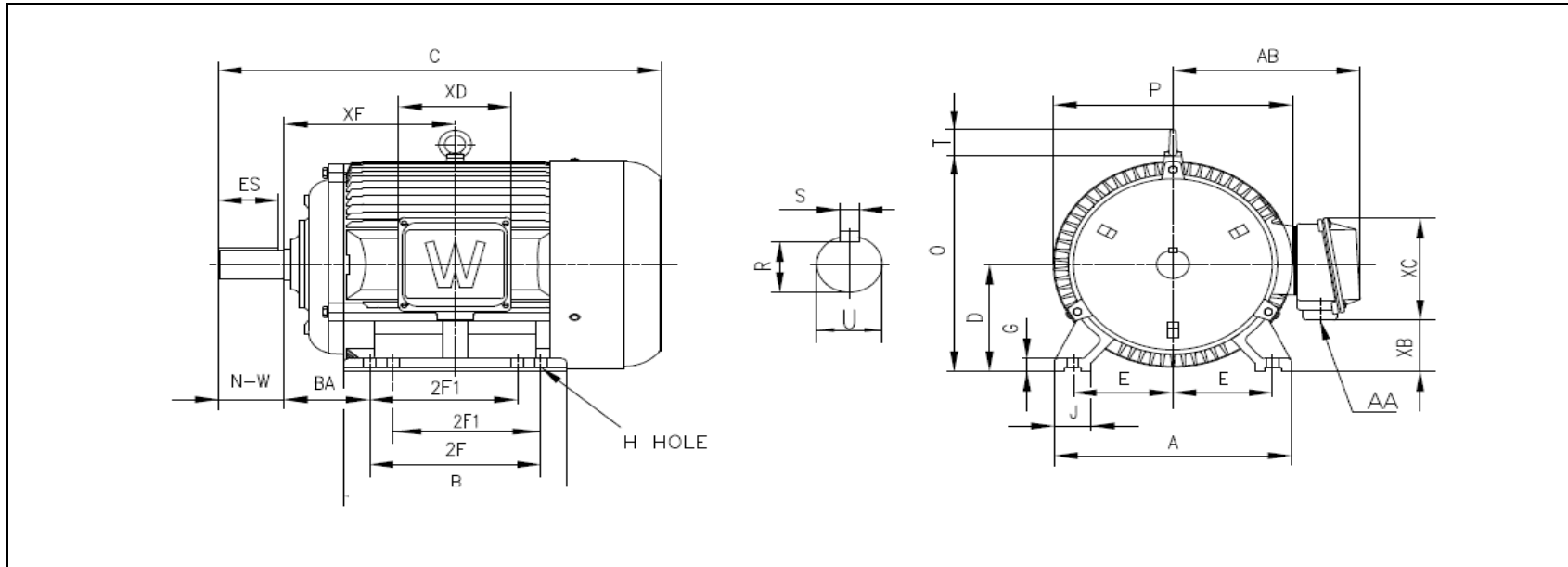
MOTOR DRAWING

Premium Efficiency Motor: **IOW3-9-215T**

WorldWide Electric Corporation

1 (800) 808-2131

Worldwideelectric.net



DIMENSION - INCHES

MOUNTING					A	B	C	D	G	J	P	O	T	AB
E	2F1	2F	H	BA										
4.25	5.5	7	0.41	3.5	10.31	8.82	20.1	5.25	0.71	2.36	10.4	10.52	1.73	8.27

SHAFT & KEY				
S	ES	R	N-W	U
0.312	2.41	1.201	3.38	1.375

TERMINAL BOX				
AA	XB	XC	XD	XF
1 NPT	3.3	5.1	4.6	7

PERFORMANCE CURVES

Premium Efficiency Motor:

IOW3-9-215T

WorldWide Electric Corporation

1 (800) 808-2131

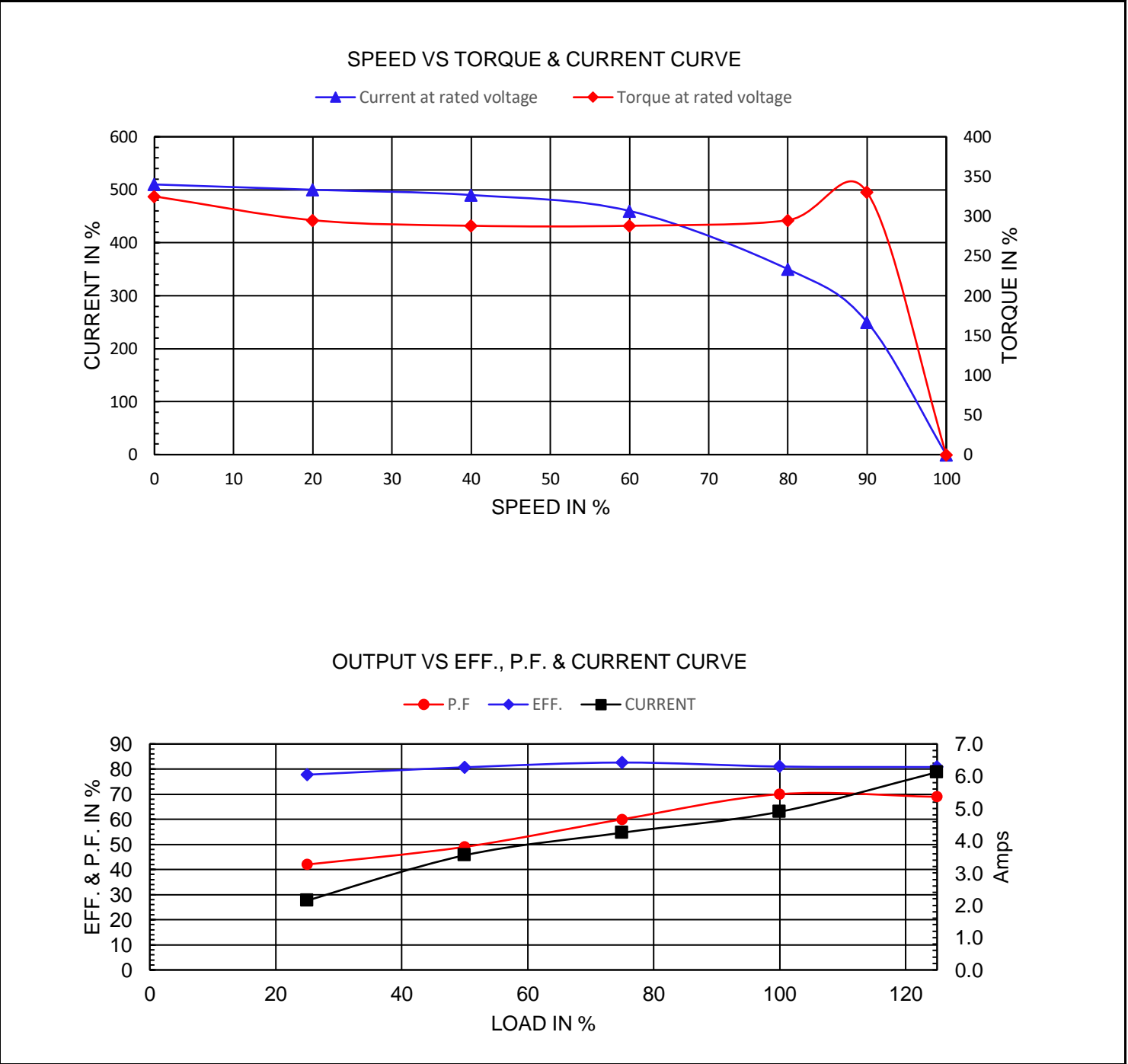
Worldwideelectric.net



Document Generated: 8-Mar-2024
Document ID:

Customer:

Motor Type	PEWWE					
Output Rating (HP)	3	FL Speed	844	796 volt FLA	2.83	A
Full Load Torque	18.7 lb.ft	LRT (%FLT)	325	460 volt FLA	4.9	A
Rotor Wk ²	0.847 lb-ft ²	BDT (%FLT)	330	230 volt FLA	9.8	A



NAMEPLATE / WIRING

WorldWide Electric Corporation

1 (800) 808-2131

Worldwideelectric.net



Premium Efficiency Motor:

IOW3-9-215T

Document Generated: 8-Mar-2024
Document ID:

Customer:

SAMPLE NAMEPLATE DATA

				OIL WELL PUMPING 3 PHASE INDUSTRIAL ELECTRIC MOTOR				
Model	<input type="text"/>	Ser No.	<input type="text"/>	TYPE	<input type="text"/>			
HP	<input type="text"/>	FR	<input type="text"/>	Encl	<input type="text"/>	IP	<input type="text"/>	
Voltage	<input type="text"/>	Hz	<input type="text"/>	Design	<input type="text"/>			
AMPS	<input type="text"/>	RPM	<input type="text"/>	Ins Cl	<input type="text"/>			
Rating	<input type="text"/>	°C Amb Cont	<input type="text"/>	S.F.	<input type="text"/>	kVA Code	<input type="text"/>	
Eff.	<input type="text"/>	%		Power Factor	<input type="text"/>			
DE Brng	<input type="text"/>	ODE Brng	<input type="text"/>					
Locked Rotor Torque/Rated Torque	<input type="text"/>							
						Date		<input type="text"/>
WorldWide Electric Corporation								

Model	<input type="text" value="IOW3-9-215T"/>							
HP	<input type="text" value="3"/>	Frame	<input type="text" value="215T"/>	Encl	<input type="text" value="TEFC"/>	IP	<input type="text" value="IP55"/>	
Voltage	<input type="text" value="230/460/796"/>	Hz	<input type="text" value="60"/>	Design	<input type="text" value="D"/>			
Amps	<input type="text" value="9.8/4.9/2.83"/>	RPM	<input type="text" value="844"/>	Ins Cl	<input type="text" value="F"/>			
Rating	<input type="text" value="40°C Amb Cont"/>	S.F.	<input type="text" value="1.15"/>	kVA Code	<input type="text" value="H"/>			
Eff.	<input type="text" value="81.0%"/>	P.F.	<input type="text" value="0.7"/>					
DE Brng	<input type="text" value="6308 2Z/C3"/>	ODE Brng	<input type="text" value="6308 2Z/C3"/>					
Locked Rotor Torque/Rated Torque	<input type="text" value="325%"/>							