

DATA SHEET

Premium Efficiency Motor: **IOW30-12-326T**

60 Hz

WorldWide Electric Corporation

1 (800) 808-2131

Worldwideelectric.net



Document Generated: 8-Mar-2024
Document ID:

Customer:

MOTOR INFORMATION	
HP	30
RPM	1200
Phase	3
Frequency	60 Hz
Voltage	230/460/796
Frame Size	326T
Enclosure	TEFC
Degree of Protection	IP55
Service Factor	1.15
Poles	6
Full Load Speed	1135
Insulation Class	F
Temp Rise	80°C
NEMA Code Letter	G
Duty Cycle	S1 / Continuous
Slip	5.42%
NEMA Design	D
Moment of Inertia	9.39 lb.ft.^2
Locked Rotor Time (Hot)	6 seconds
Sound Pressure Level	83 dB(A)
Number of Starts	2 Cold / 1 Hot
Max Ambient Temperature	40°C
Max Elevation	1000 m.a.s.l (3300 f.a.s.l)
Mounting	F2
Rotation	Bi-Directional
Area of Classification	Class 1, Division 2, Groups A, B, C, D -
Inverter Rating	No
Standard	NEMA MG-1
Approvals	CSA-US, CE

EFFICIENCY/POWER FACTOR		
LOAD	EFF	P. F.
100%	88.5 %	0.85
75%	89.3 %	0.81
50%	88.9 %	0.72

TORQUE		
FULL LOAD	LRT	BDT
138.9 lb.ft.	350 %	330 %

AMPERAGE INFORMATION			
	230V	460V	796V
Full Load Amps	74.7A	37.3A	21.5A
Locked Rotor Amps	450A	225A	129.9
No Load Current	29A	14.5A	8.4A

BEARING INFORMATION	
DE Bearing	6312 C3
ODE Bearing	6312 C3
Grease Type	MOBIL POLYREX EM
DE Regreasing Interval	6000 Hours
ODE Regreasing Interval	6000 Hours
Grease Quantity DE/ODE	35g/35g

ADDITIONAL DATA	
F1 Suitable	Yes
Shaft Material	1045 Carbon Steel
Connection Diagram	230/460/796 V - 12 Lead ΔΔ/Δ/Y
Approximate Weight	551 lbs.

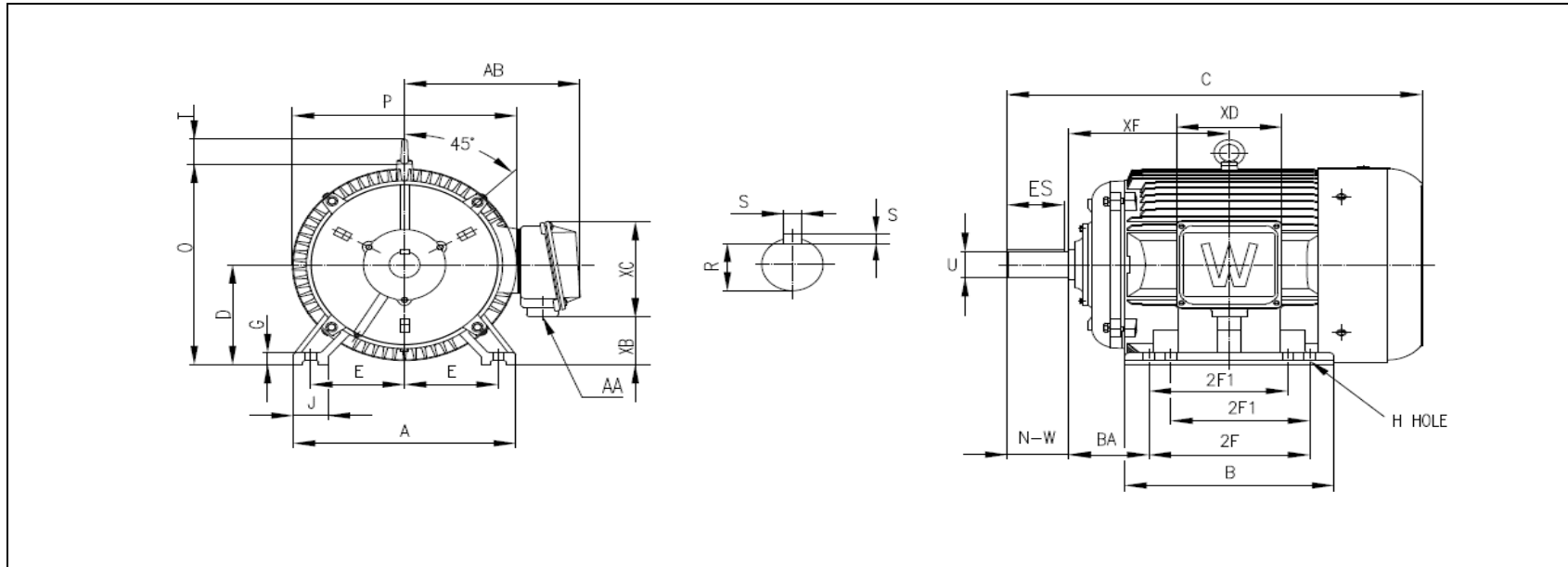
MOTOR DRAWING

Premium Efficiency Motor: **IOW30-12-326T**

WorldWide Electric Corporation

1 (800) 808-2131

Worldwideelectric.net



DIMENSION - INCHES

MOUNTING					A	B	C	D	G	J	P	O	T	AB
E	2F1	2F	H	BA										
6.25	10.5	12	0.66	5.25	15.28	14.92	30.93	8	0.984	2.756	15.63	15.91	2.44	13.9

SHAFT & KEY				
S	ES	R	N-W	U
0.5	3.91	1.845	5.25	2.125

TERMINAL BOX				
AA	XB	XC	XD	XF
2 NPT	2.47	10.83	8.98	11.19

PERFORMANCE CURVES

Premium Efficiency Motor:

IOW30-12-326T

WorldWide Electric Corporation

1 (800) 808-2131

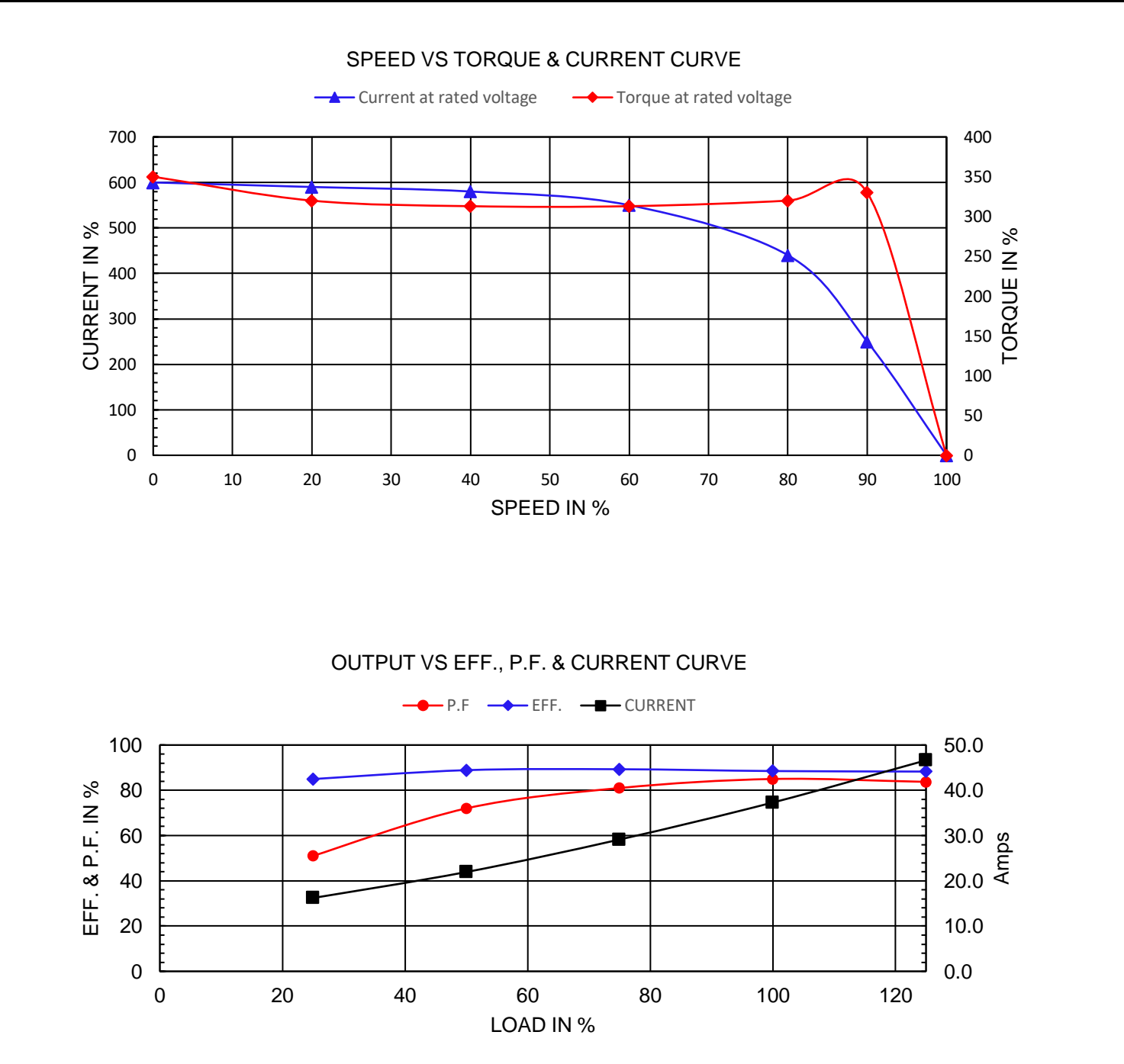
Worldwideelectric.net



Document Generated: 8-Mar-2024
Document ID:

Customer:

Motor Type	PEWWE					
Output Rating (HP)	30	FL Speed	1135	796 volt FLA	21.5	A
Full Load Torque	138.9 lb.ft	LRT (%FLT)	350	460 volt FLA	37.3	A
Rotor Wk ²	9.39 lb-ft ²	BDT (%FLT)	330	230 volt FLA	74.7	A



NAMEPLATE / WIRING

WorldWide Electric Corporation

1 (800) 808-2131

Worldwideelectric.net



Premium Efficiency Motor:

IOW30-12-326T

Document Generated: 8-Mar-2024
Document ID:

Customer:

SAMPLE NAMEPLATE DATA

				OIL WELL PUMPING 3 PHASE		259277					
				INDUSTRIAL ELECTRIC MOTOR							
Model	<input type="text"/>	Ser No.	<input type="text"/>	TYPE		<input type="text"/>					
HP	<input type="text"/>	FR	<input type="text"/>	Encl	<input type="text"/>	IP	<input type="text"/>				
Voltage	<input type="text"/>	Hz	<input type="text"/>	Design		<input type="text"/>					
AMPS	<input type="text"/>	RPM	<input type="text"/>	Ins Cl		<input type="text"/>					
Rating	<input type="text"/>	°C Amb Cont	<input type="text"/>	S.F.	<input type="text"/>	kVA Code		<input type="text"/>			
Eff.	<input type="text"/>	%		Power Factor		<input type="text"/>					
DE Brng	<input type="text"/>	ODE Brng		<input type="text"/>							
Locked Rotor Torque/Rated Torque		<input type="text"/>		%		<input type="text"/>					
CLASS I DIV. 2 Groups A B C D				T3-200°C		Date <input type="text"/>					
WorldWide Electric Corporation											

Model	<input type="text" value="IOW30-12-326T"/>						
HP	<input type="text" value="30"/>	Frame	<input type="text" value="326T"/>	Encl	<input type="text" value="TEFC"/>	IP	<input type="text" value="IP55"/>
Voltage	<input type="text" value="230/460/796"/>	Hz	<input type="text" value="60"/>	Design	<input type="text" value="D"/>		
Amps	<input type="text" value="74.7/37.3/21.5"/>	RPM	<input type="text" value="1135"/>	Ins Cl	<input type="text" value="F"/>		
Rating	<input type="text" value="40°C Amb Cont"/>	S.F.	<input type="text" value="1.15"/>	kVA Code	<input type="text" value="G"/>		
Eff.	<input type="text" value="88.5%"/>	P.F.	<input type="text" value="0.85"/>				
DE Brng	<input type="text" value="6312 C3"/>	ODE Brng	<input type="text" value="6312 C3"/>				
Locked Rotor Torque/Rated Torque	<input type="text" value="350%"/>						