

DATA SHEET

Premium Efficiency Motor: **IOW60-12-405T**

60 Hz

WorldWide Electric Corporation

1 (800) 808-2131

Worldwideelectric.net



Document Generated: 8-Mar-2024
Document ID:

Customer:

MOTOR INFORMATION	
HP	60
RPM	1200
Phase	3
Frequency	60 Hz
Voltage	230/460/796
Frame Size	405T
Enclosure	TEFC
Degree of Protection	IP55
Service Factor	1.15
Poles	6
Full Load Speed	1130
Insulation Class	F
Temp Rise	80°C
NEMA Code Letter	G
Duty Cycle	S1 / Continuous
Slip	5.83%
NEMA Design	D
Moment of Inertia	40.6 lb.ft.^2
Locked Rotor Time (Hot)	5 seconds
Sound Pressure Level	90 dB(A)
Number of Starts	2 Cold / 1 Hot
Max Ambient Temperature	40°C
Max Elevation	1000 m.a.s.l (3300 f.a.s.l)
Mounting	F2
Rotation	Bi-Directional
Area of Classification	Class 1, Division 2, Groups A, B, C, D -
Inverter Rating	No
Standard	NEMA MG-1
Approvals	CSA-US, CE

EFFICIENCY/POWER FACTOR		
LOAD	EFF	P. F.
100%	88.0 %	0.87
75%	88.6 %	0.84
50%	88.0 %	0.76

TORQUE		
FULL LOAD	LRT	BDT
279 lb.ft.	280 %	310 %

AMPERAGE INFORMATION			
	230V	460V	796V
Full Load Amps	147A	73.4A	42.4A
Locked Rotor Amps	872A	436A	251.7
No Load Current	38.2A	19.1A	11A

BEARING INFORMATION	
DE Bearing	NU316 C3
ODE Bearing	6313 C3
Grease Type	MOBIL POLYREX EM
DE Regreasing Interval	3000 Hours
ODE Regreasing Interval	4500 Hours
Grease Quantity DE/ODE	40g/35g

ADDITIONAL DATA	
F1 Suitable	Yes
Shaft Material	1045 Carbon Steel
Connection Diagram	230/460/796 V - 12 Lead ΔΔ/Δ/Y
Approximate Weight	1164 lbs.

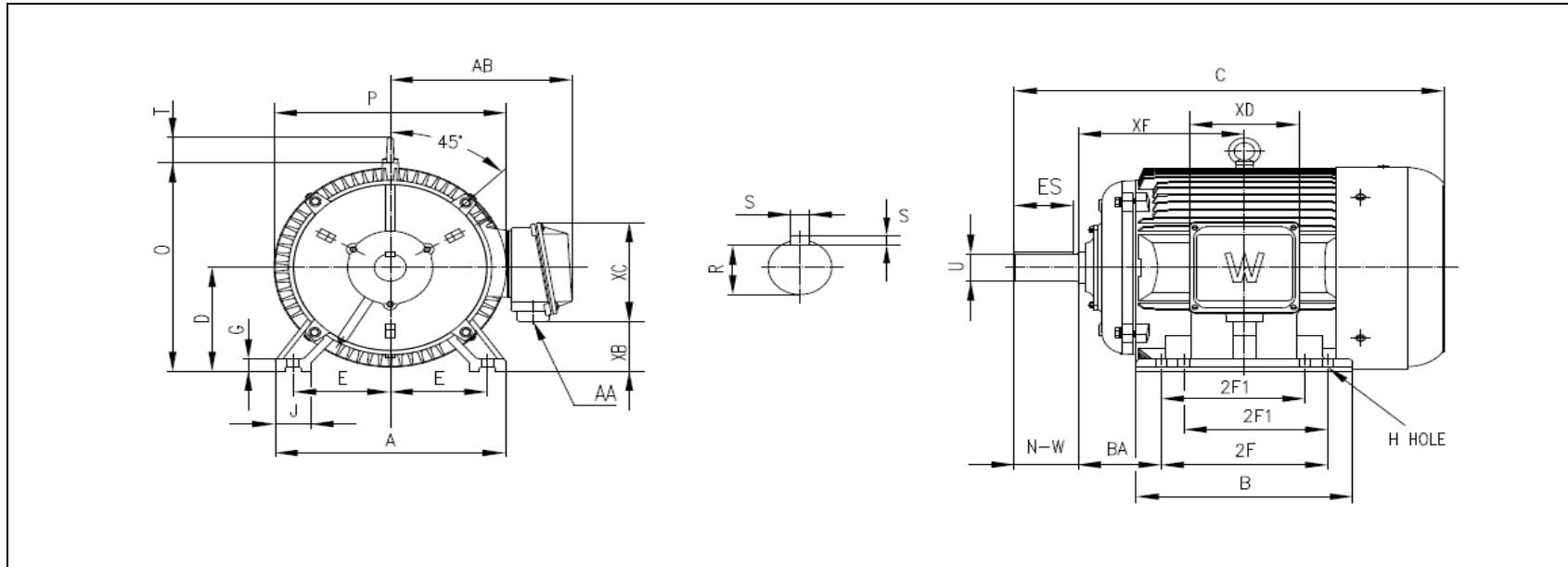
MOTOR DRAWING

Premium Efficiency Motor: **IOW60-12-405T**

WorldWide Electric Corporation

1 (800) 808-2131

Worldwideelectric.net



DIMENSION - INCHES

MOUNTING					A	B	C	D	G	J	P	O	T	AB
E	2F1	2F	H	BA										
8	12.25	13.75	0.81	6.62	19.13	16.54	37.81	10	1.181	3.15	21.6	21.02	2.84	18.3

SHAFT & KEY				
S	ES	R	N-W	U
0.75	5.65	2.45	7.25	2.875

TERMINAL BOX				
AA	XB	XC	XD	XF
3 NPT	4.66	11.93	9.76	13.5

PERFORMANCE CURVES

Premium Efficiency Motor:

IOW60-12-405T

WorldWide Electric Corporation

1 (800) 808-2131

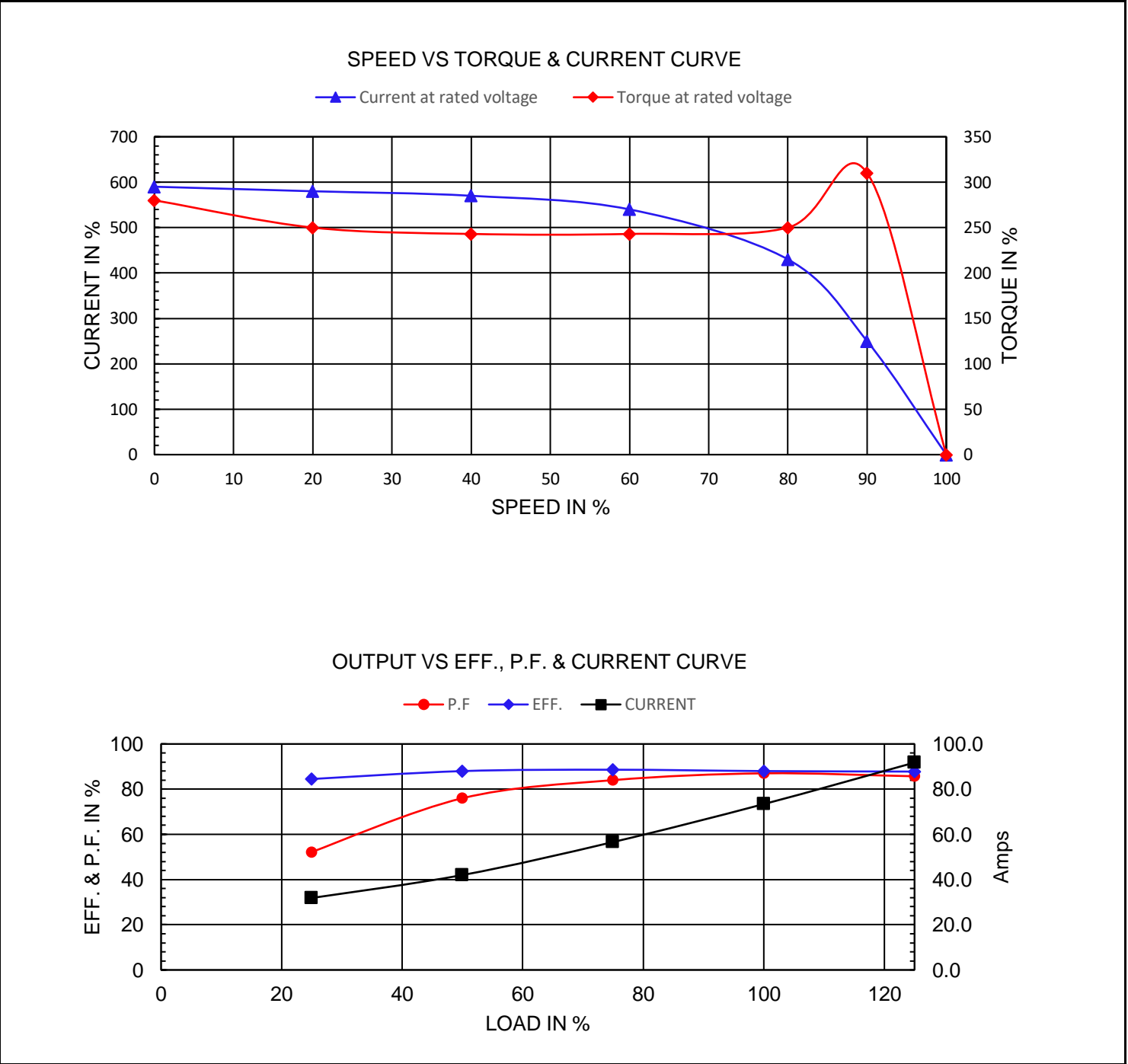
Worldwideelectric.net



Document Generated: 8-Mar-2024
Document ID:

Customer:

Motor Type	PEWWE					
Output Rating (HP)	60	FL Speed	1130	796 volt FLA	42.4	A
Full Load Torque	279 lb.ft	LRT (%FLT)	280	460 volt FLA	73.4	A
Rotor Wk ²	40.6 lb-ft ²	BDT (%FLT)	310	230 volt FLA	147	A



NAMEPLATE / WIRING

WorldWide Electric Corporation

1 (800) 808-2131

Worldwideelectric.net







Premium Efficiency Motor:

IOW60-12-405T

Document Generated: 8-Mar-2024
Document ID:

Customer:

SAMPLE NAMEPLATE DATA

 		OIL WELL PUMPING 3 PHASE INDUSTRIAL ELECTRIC MOTOR		259277 	
Model	<input type="text"/>	Ser No.	<input type="text"/>	TYPE	<input type="text"/>
HP	<input type="text"/>	FR	<input type="text"/>	Encl	<input type="text"/>
Voltage	<input type="text"/>	Hz	<input type="text"/>	Design	<input type="text"/>
AMPS	<input type="text"/>	RPM	<input type="text"/>	Ins Cl	<input type="text"/>
Rating	<input type="text"/> °C Amb Cont	S.F.	<input type="text"/>	kVA Code	<input type="text"/>
Eff.	<input type="text"/> %	Power Factor	<input type="text"/>		
DE Brng	<input type="text"/>	ODE Brng	<input type="text"/>		
Locked Rotor Torque/Rated Torque	<input type="text"/> %				
CLASS I DIV. 2 Groups A B C D		T3-200°C		Date	<input type="text"/>
WorldWide Electric Corporation					

CONNECTION

230V 2Δ	460V Δ	796V Y
⑥ ④ ⑤	④ ⑤ ⑥	④ ⑤ ⑥
⑦ ⑧ ⑨	⑦ ⑧ ⑨	⑦ ⑧ ⑨
⑫ ⑩ ⑪	⑫ ⑩ ⑪	⑫ ⑩ ⑪
① ② ③	① ② ③	① ② ③
L1 L2 L3	L1 L2 L3	L1 L2 L3

Made in China

Model	<input type="text" value="IOW60-12-405T"/>
HP	<input type="text" value="60"/> Frame <input type="text" value="405T"/> Encl <input type="text" value="TEFC"/> IP <input type="text" value="IP55"/>
Voltage	<input type="text" value="230/460/796"/> Hz <input type="text" value="60"/> Design <input type="text" value="D"/>
Amps	<input type="text" value="147/73.4/42.4"/> RPM <input type="text" value="1130"/> Ins Cl <input type="text" value="F"/>
Rating	<input type="text" value="40°C Amb Cont"/> S.F. <input type="text" value="1.15"/> kVA Code <input type="text" value="G"/>
Eff.	<input type="text" value="88.0%"/> P.F. <input type="text" value="0.87"/>
DE Brng	<input type="text" value="NU316 C3"/> ODE Brng <input type="text" value="6313 C3"/>
Locked Rotor Torque/Rated Torque	<input type="text" value="280%"/>