

# DATA SHEET

Premium Efficiency Motor: **IOW75-12-444T**

**60 Hz**

WorldWide Electric Corporation

1 (800) 808-2131

Worldwideelectric.net



Document Generated: 8-Mar-2024  
Document ID:

Customer:

MOTOR INFORMATION	
HP	75
RPM	1200
Phase	3
Frequency	60 Hz
Voltage	230/460/796
Frame Size	444T
Enclosure	TEFC
Degree of Protection	IP55
Service Factor	1.15
Poles	6
Full Load Speed	1130
Insulation Class	F
Temp Rise	80°C
NEMA Code Letter	G
Duty Cycle	S1 / Continuous
Slip	5.83%
NEMA Design	D
Moment of Inertia	53.4 lb.ft.^2
Locked Rotor Time (Hot)	5 seconds
Sound Pressure Level	90 dB(A)
Number of Starts	2 Cold / 1 Hot
Max Ambient Temperature	40°C
Max Elevation	1000 m.a.s.l (3300 f.a.s.l)
Mounting	F2
Rotation	Bi-Directional
Area of Classification	Class 1, Division 2, Groups A, B, C, D -
Inverter Rating	No
Standard	NEMA MG-1
Approvals	CSA-US, CE

EFFICIENCY/POWER FACTOR		
LOAD	EFF	P. F.
100%	87.5 %	0.9
75%	88.5 %	0.86
50%	84.5 %	0.78

TORQUE		
FULL LOAD	LRT	BDT
348.7 lb.ft.	290 %	310 %

AMPERAGE INFORMATION			
	230V	460V	796V
Full Load Amps	178A	89.2A	51.5A
Locked Rotor Amps	1074A	537A	310A
No Load Current	55.2A	27.6A	15.9A

BEARING INFORMATION	
DE Bearing	NU318 C3
ODE Bearing	6313 C3
Grease Type	MOBIL POLYREX EM
DE Regreasing Interval	2200 Hours
ODE Regreasing Interval	4500 Hours
Grease Quantity DE/ODE	45g/35g

ADDITIONAL DATA	
F1 Suitable	Yes
Shaft Material	1045 Carbon Steel
Connection Diagram	230/460/796 V - 12 Lead ΔΔ/Δ/Y
Approximate Weight	1380 lbs.

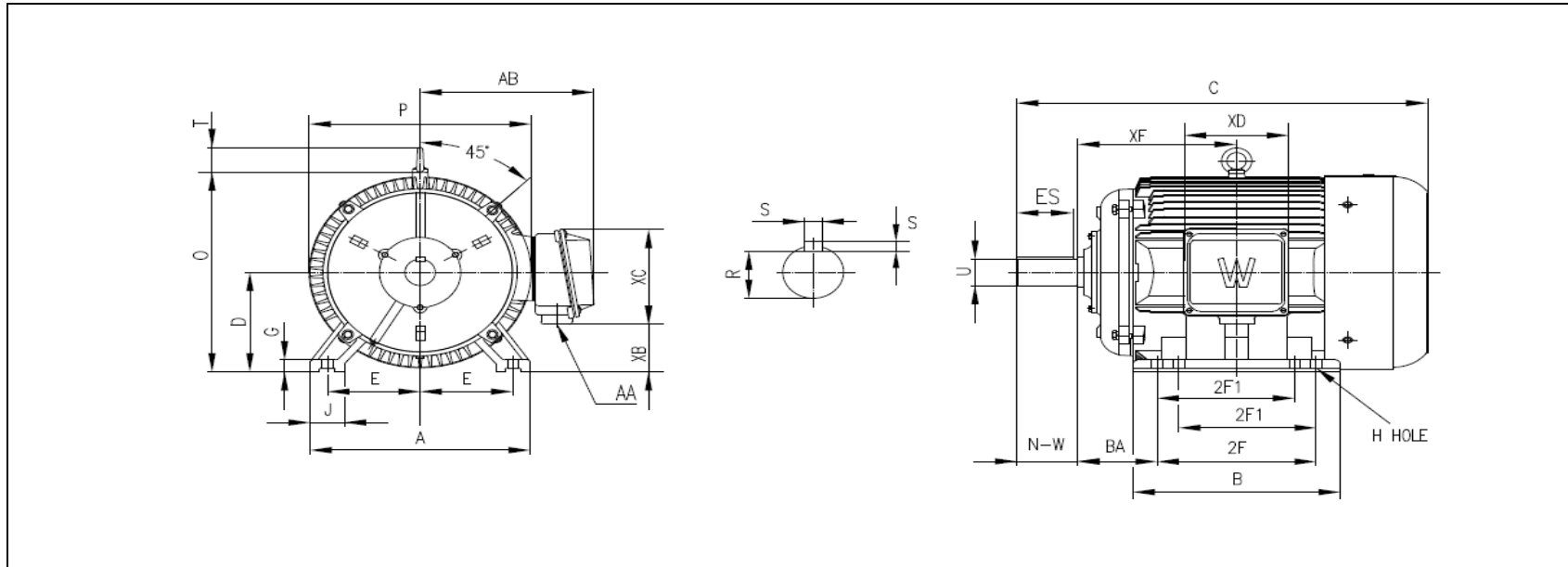
# MOTOR DRAWING

Premium Efficiency Motor: **IOW75-12-444T**

WorldWide Electric Corporation

1 (800) 808-2131

Worldwideelectric.net



## DIMENSION - INCHES

MOUNTING					A	B	C	D	G	J	P	O	T	AB
E	2F1	2F	H	BA										
9	--	14.5	0.81	7.5	21.34	18.27	42.3	11	1.38	3.35	23.43	22.97	3.47	19.5

SHAFT & KEY				
S	ES	R	N-W	U
0.875	6.91	2.88	8.5	3.375

TERMINAL BOX				
AA	XB	XC	XD	XF
2 X 3 NPT	5.97	12	11.34	14.75

# PERFORMANCE CURVES

Premium Efficiency Motor:

**IOW75-12-444T**

WorldWide Electric Corporation

1 (800) 808-2131

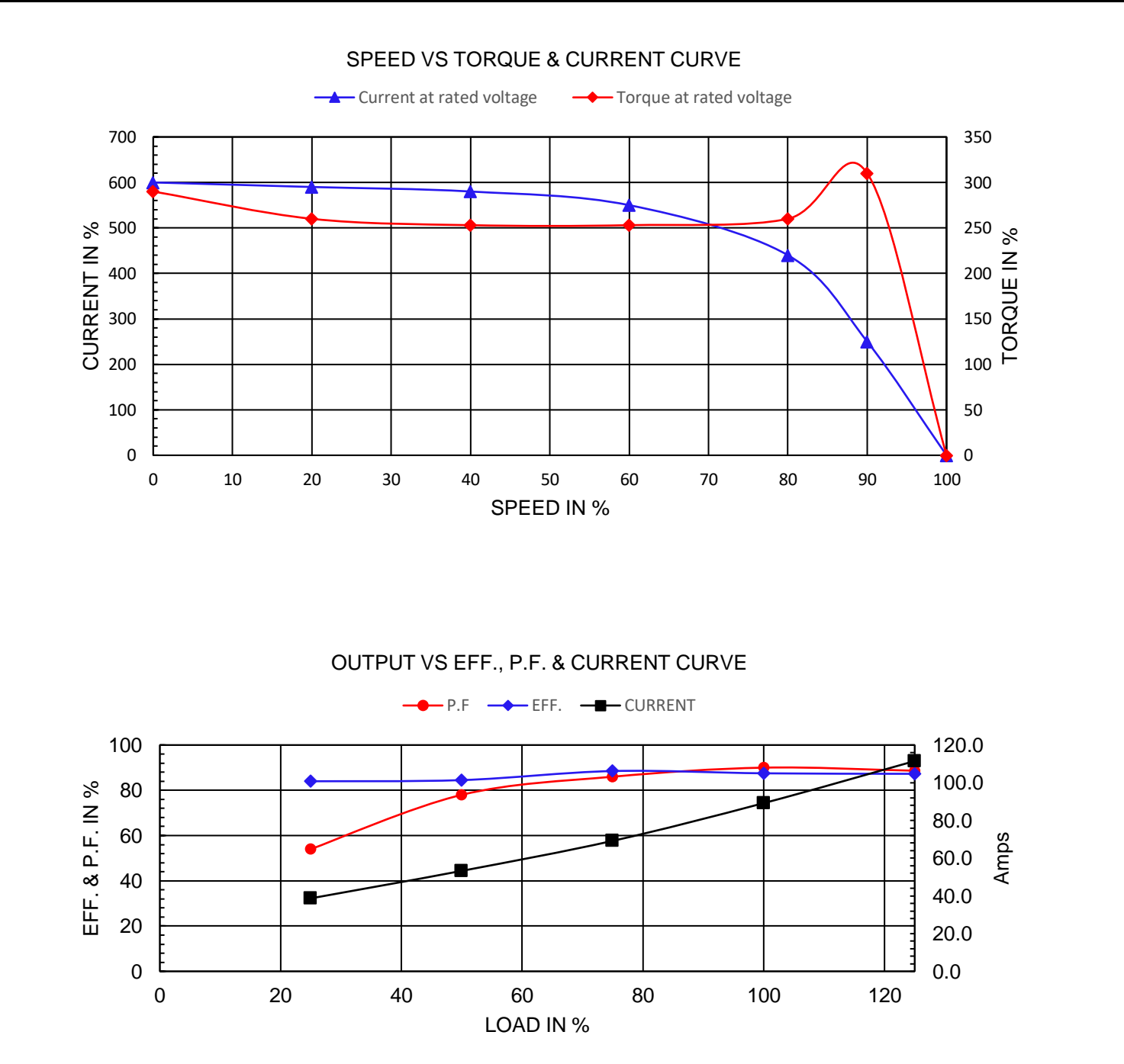
Worldwideelectric.net



Document Generated: 8-Mar-2024  
Document ID:

Customer:

Motor Type	PEWWE					
Output Rating (HP)	75	FL Speed	1130	796 volt FLA	51.5	A
Full Load Torque	348.7 lb.ft	LRT (%FLT)	290	460 volt FLA	89.2	A
Rotor Wk <sup>2</sup>	53.4 lb-ft <sup>2</sup>	BDT (%FLT)	310	230 volt FLA	178	A



# NAMEPLATE / WIRING

WorldWide Electric Corporation

1 (800) 808-2131

Worldwideelectric.net



Premium Efficiency Motor:

**IOW75-12-444T**

Document Generated: 8-Mar-2024  
Document ID:

Customer:

## SAMPLE NAMEPLATE DATA

		<b>OIL WELL PUMPING 3 PHASE</b> <b>INDUSTRIAL ELECTRIC MOTOR</b>		259277 	
Model	<input type="text"/>	Ser No.	<input type="text"/>	TYPE	<input type="text"/>
HP	<input type="text"/>	FR	<input type="text"/>	Encl	<input type="text"/>
Voltage	<input type="text"/>	Hz	<input type="text"/>	Design	<input type="text"/>
AMPS	<input type="text"/>	RPM	<input type="text"/>	Ins Cl	<input type="text"/>
Rating	<input type="text"/> °C Amb Cont	S.F.	<input type="text"/>	kVA Code	<input type="text"/>
Eff.	<input type="text"/> %	Power Factor	<input type="text"/>		
DE Brng	<input type="text"/>	ODE Brng	<input type="text"/>		
Locked Rotor Torque/Rated Torque	<input type="text"/> %				
CLASS I DIV. 2 Groups A B C D		T3-200°C		Date	<input type="text"/>
<b>WorldWide Electric Corporation</b>					

**CONNECTION**

230V 2Δ	460V Δ	796V Y
⑥ ④ ⑤	④ ⑤ ⑥	④ ⑤ ⑥
⑦ ⑧ ⑨	⑦ ⑧ ⑨	⑦ ⑧ ⑨
⑫ ⑩ ⑪	⑫ ⑩ ⑪	⑫ ⑩ ⑪
① ② ③	① ② ③	① ② ③
L1 L2 L3	L1 L2 L3	L1 L2 L3

Made in China

Model	<input type="text" value="IOW75-12-444T"/>				
HP	<input type="text" value="75"/>	Frame	<input type="text" value="444T"/>	Encl	<input type="text" value="TEFC"/>
IP	<input type="text" value="IP55"/>				
Voltage	<input type="text" value="230/460/796"/>		Hz	<input type="text" value="60"/>	
Amps	<input type="text" value="178/89.2/51.5"/>		RPM	<input type="text" value="1130"/>	
Design	<input type="text" value="D"/>				
Rating	<input type="text" value="40°C Amb Cont"/>		S.F.	<input type="text" value="1.15"/>	
Ins Cl	<input type="text" value="F"/>				
Eff.	<input type="text" value="87.5%"/>		P.F.	<input type="text" value="0.9"/>	
kVA Code	<input type="text" value="G"/>				
DE Brng	<input type="text" value="NU318 C3"/>		ODE Brng	<input type="text" value="6313 C3"/>	
Locked Rotor Torque/Rated Torque	<input type="text" value="290%"/>				