



# WORLDWIDE ELECTRIC MOTOR DATA SHEET

## IXPEWWE1-18-143T



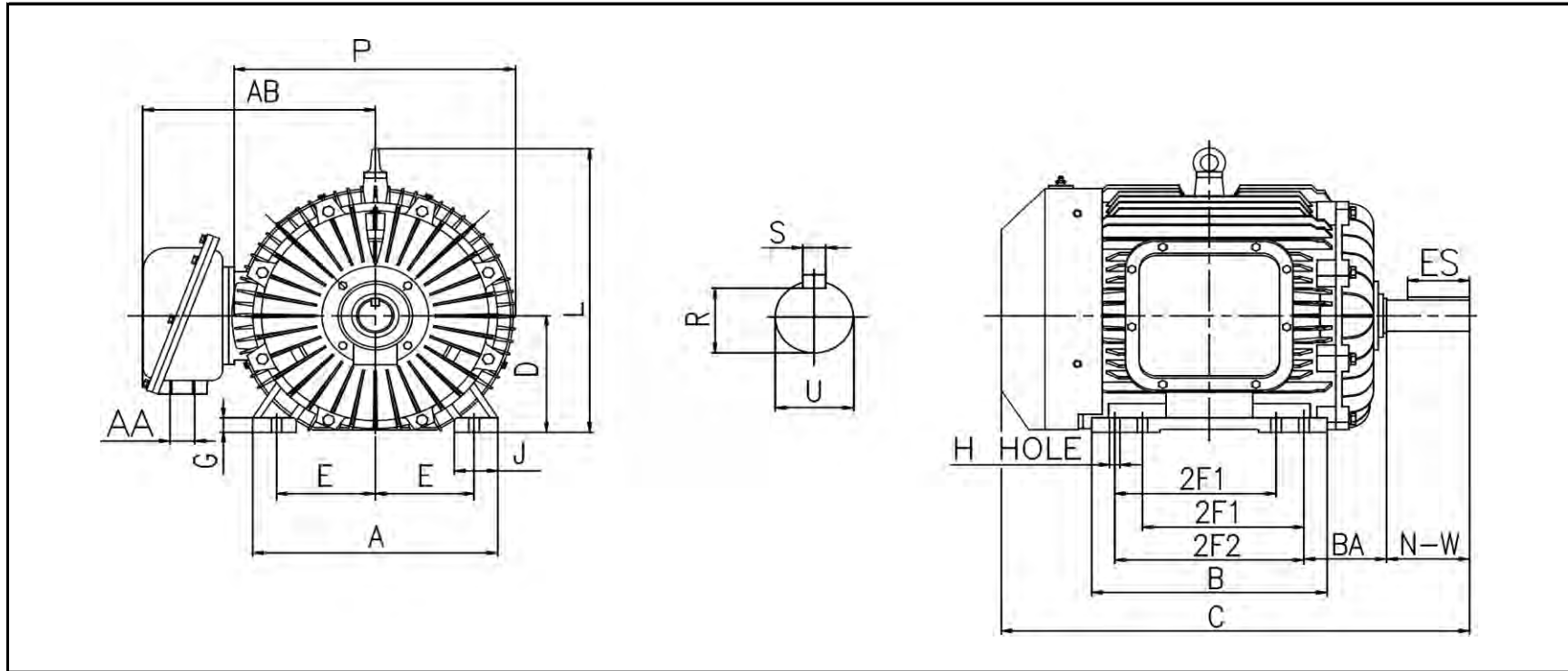
HORSEPOWER	1		
RPM / POLES	1800 / 4		
VOLTAGE / PHASE	230 / 460 V / 3		
FRAME	143T		
ENCLOSURE / DEGREE OF PROTECTION	TEFC / IP55		
FREQUENCY	60 HZ Suitable For 50 HZ Operation With 1.0 SF		
FULL LOAD SPEED	1773 RPM		
SERVICE FACTOR	1.15 SF		
INSULATION CLASS	F		
FULL LOAD AMPS	2.7 / 1.35 A		
LOCKED ROTOR AMPS (STARTING)	30.0 / 15.0 A		
NO LOAD CURRENT			
NEMA CODE LETTER	N		
EFFICIENCY / POWER FACTOR	<u>LOAD</u>	<u>EFF.</u>	<u>P.F.</u>
	100%	85.5%	0.79
	75%	84.5%	0.67
	50%	81.3%	0.52
DUTY CYCLE	S1 / Continuous		
TORQUE	<u>FULL LOAD</u>	<u>LRT</u>	<u>BDT</u>
	2.96 lb.ft.	275%	300%
SLIP	1.50%		
NEMA DESIGN	B		
MOMENT OF INERTIA			
NUMBER OF STARTS (Hot / Cold)	1 Hot / 2 Cold (Per Hour)		
MAX. AMBIENT TEMPERATURE	40° C		
MAX. ELEVATION	3300 Ft. Above Sea Level		
TEMPERATURE RISE (At Full Load)	80° C		
DE BEARING	6205-ZZ		
ODE BEARING	6205-ZZ		
GREASE TYPE	Mobil Polyrex EM		
MOUNTING	F1		
ROTATION	Bi-Directional		
APPROXIMATE WEIGHT	62 lbs.		
TEMPERATURE CODE AT 40°C AMBIENT	T3C		
TEMPERATURE CODE AT 55°C AMBIENT	T3C		
AREA CLASSIFICATION	Class I, Division I, Groups C & D		
	Class II, Division I, Groups F & G		
INVERTER RATING	5:1 CT / 10:1 VT PWM Type		





WORLDWIDE ELECTRIC MOTOR DRAWING

IXPEWWE-143T



MOUNTING					A	B	C	D	G	J
E	2F1	2F2	H	BA						
2.75	4	5	0.34	2.25	6.9	6.89	15.35	3.5	0.47	1.42

L	P	AA	AB	KEY	KEYSEAT	SHAFT	N-W	U
				ES	S	R		
9.25	7.56	3/4	8.07	1.46	0.188	0.771	2.25	0.875

ALL DIMENSIONS IN INCHES

REVISED - 09/16/16