



# WORLDWIDE ELECTRIC MOTOR DATA SHEET

## IXPEWWE15-12-284T



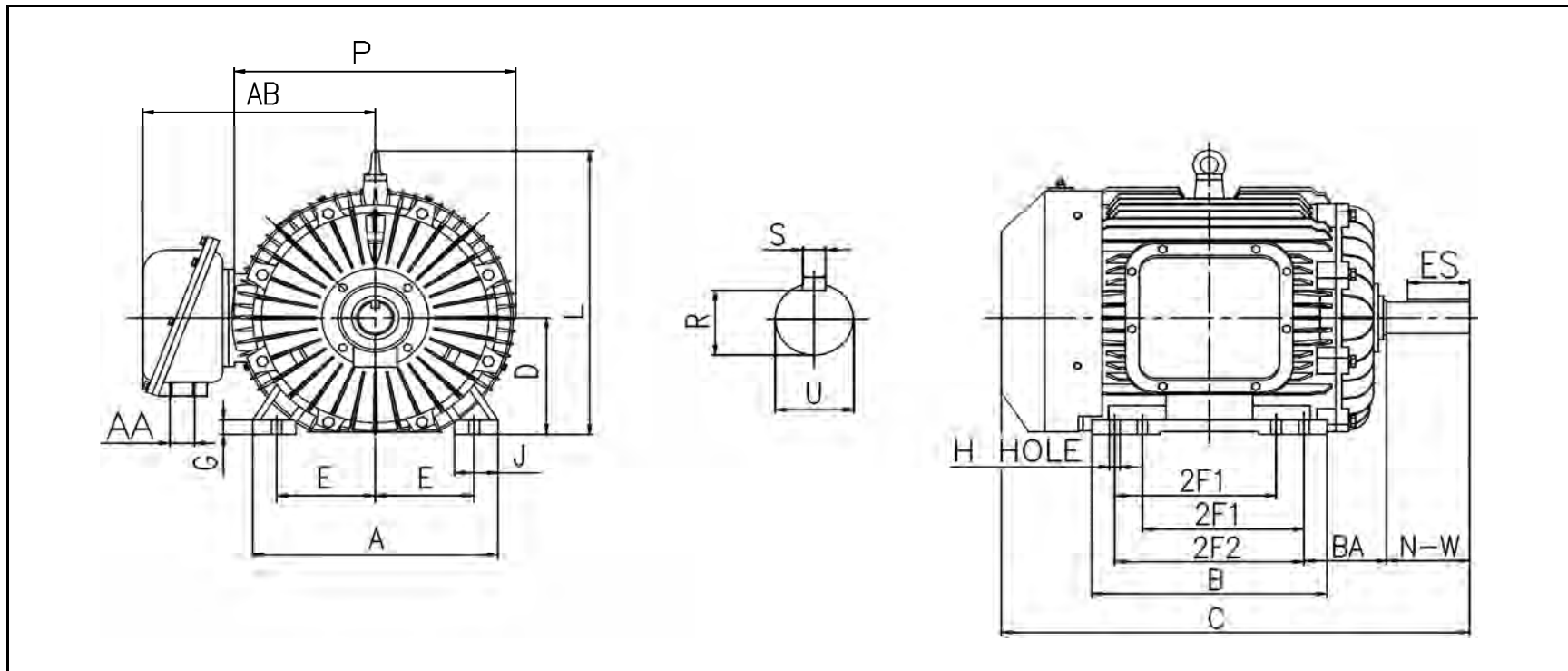
HORSEPOWER	15		
RPM / POLES	1200 / 6		
VOLTAGE / PHASE	230 / 460 V / 3		
FRAME	284T		
ENCLOSURE / DEGREE OF PROTECTION	TEFC / IP55		
FREQUENCY	60 HZ Suitable For 50 HZ Operation With 1.0 SF		
FULL LOAD SPEED	1189 RPM		
SERVICE FACTOR	1.15 SF		
INSULATION CLASS	F		
FULL LOAD AMPS	45.6 / 22.8 A		
LOCKED ROTOR AMPS (STARTING)	232 / 116 A		
NO LOAD CURRENT			
NEMA CODE LETTER	G		
EFFICIENCY / POWER FACTOR	<u>LOAD</u>	<u>EFF.</u>	<u>P.F.</u>
	100%	91.7%	0.82
	75%	92.0%	0.80
	50%	90.0%	0.71
DUTY CYCLE	S1 / Continuous		
TORQUE	<u>FULL LOAD</u>	<u>LRT</u>	<u>BDT</u>
	66.3 lb.ft.	140%	200%
SLIP	0.92%		
NEMA DESIGN	B		
MOMENT OF INERTIA			
NUMBER OF STARTS (Hot / Cold)	1 Hot / 2 Cold (Per Hour)		
MAX. AMBIENT TEMPERATURE	40° C		
MAX. ELEVATION	3300 Ft. Above Sea Level		
TEMPERATURE RISE (At Full Load)	80° C		
DE BEARING	6310		
ODE BEARING	6310		
GREASE TYPE	Mobil Polyrex EM		
MOUNTING	F1		
ROTATION	Bi-Directional		
APPROXIMATE WEIGHT	476 lbs.		
TEMPERATURE CODE AT 40°C AMBIENT	T3C		
TEMPERATURE CODE AT 55°C AMBIENT	T2C		
AREA CLASSIFICATION	Class I, Division I, Groups C & D		
	Class II, Division I, Groups F & G		
INVERTER RATING	5:1 CT / 10:1 VT PWM Type		





WORLDWIDE ELECTRIC MOTOR DRAWING

IXPEWWE-284T



MOUNTING					A	B	C	D	G	J
E	2F1	2F2	H	BA						
5.5	9.5	11	0.53	4.75	13.7	13.7	28.5	7	0.87	2.76

				KEY	KEYSEAT	SHAFT		
L	P	AA	AB	ES	S	R	N-W	U
17.52	15.9	1.5	14.37	3.31	0.5	1.591	4.62	1.875

ALL DIMENSIONS IN INCHES

REVISED - 09/16/16