

DATA SHEET

Premium Efficiency Motor: **LAM1-12-145T**

60 Hz

WorldWide Electric Corporation

1 (800) 808-2131

Worldwideelectric.net



Document Generated: 8-Sep-2023
Document ID:

Customer:

MOTOR INFORMATION	
HP	1
RPM	1200
Phase	3
Frequency	60 Hz
Voltage	230/460
Frame Size	143/5T
Enclosure	TEFC
Degree of Protection	IP55
Service Factor	1.25
Poles	6
Full Load Speed	1150
Insulation Class	F
Temp Rise	80°C
NEMA Code Letter	J
Duty Cycle	S1 / Continuous
Slip	4.17%
NEMA Design	B
Moment of Inertia	0.116 lb.ft.^2
Locked Rotor Time (Hot)	12 seconds
Sound Pressure Level	64 dB(A)
Number of Starts	2 Cold/1 Hot
Max Ambient Temperature	40°C
Max Elevation	1000 m.a.s.l (3300 f.a.s.l)
Mounting	Rigid
Rotation	Bi-Directional
Area of Classification	Class 1 Division 2 Groups A,B,C,D T3B
Inverter Rating	10:1 CT / 20:1 VT
Standard	NEMA MG-1
Approvals	UL, CE, IEEE45, ABS

EFFICIENCY/POWER FACTOR		
LOAD	EFF	P. F.
100%	82.5 %	0.67
75%	82.7 %	0.59
50%	80.5 %	0.46

TORQUE		
FULL LOAD	LRT	BDT
4.5 lb.ft.	276 %	315 %

AMPERAGE INFORMATION		
	230V	460V
Full Load Amps	3.4A	1.7A
Locked Rotor Amps	20A	10A
No Load Current	2.2A	1.1A
Usable at 208V		3.8 A

BEARING INFORMATION	
DE Bearing	6205 ZZ
ODE Bearing	6204 ZZ
Grease Type	NSK SN7
DE Regreasing Interval	-- Hours
ODE Regreasing Interval	-- Hours
Grease Quantity	--

ADDITIONAL DATA	
F2 Suitable	Yes
Shaft Material	AISI 1045
Connection Diagram	9 Lead Wye
Approximate Weight	60.8 lbs.

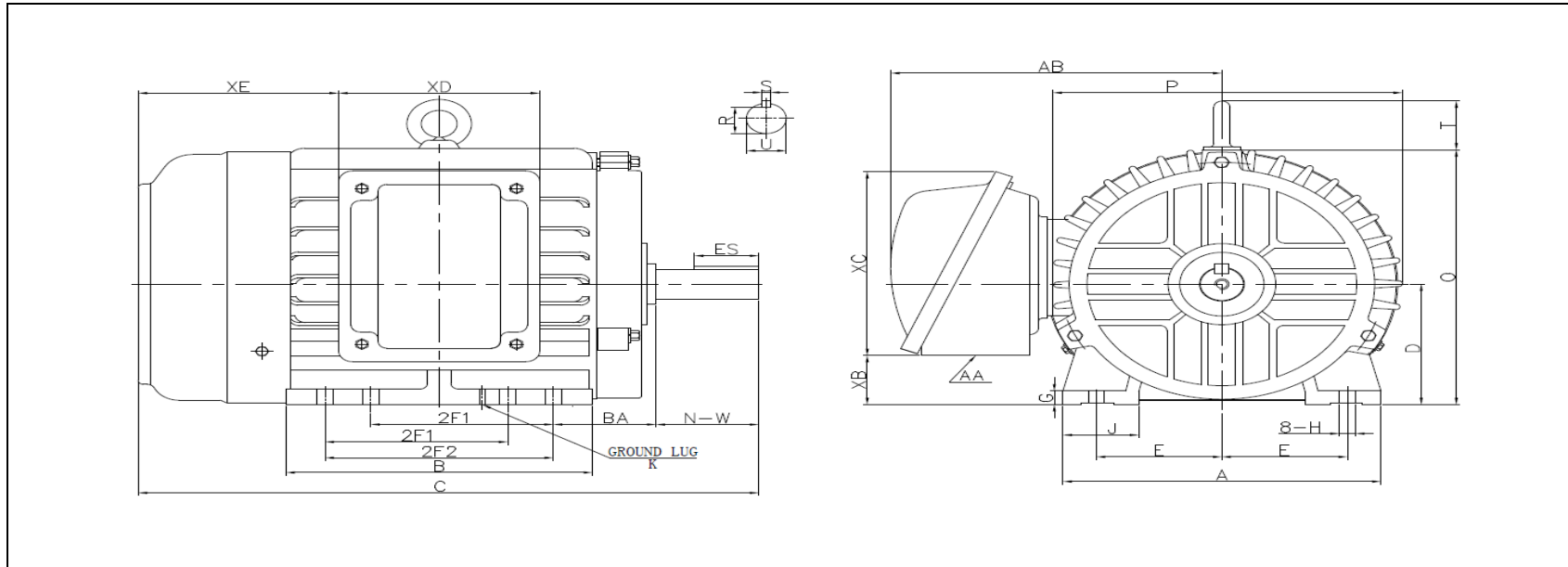
MOTOR DRAWING

Premium Efficiency Motor: **LAM1-12-145T**

WorldWide Electric Corporation

1 (800) 808-2131

Worldwideelectric.net



DIMENSION - INCHES

MOUNTING					A	B	C	D	G	J	P	O	T	AB
E	2F1	2F2	H	BA										
2.75	4	5	0.34	2.25	7	6.77	13.59	3.5	0.39	1.66	7.66	7.41	1.4	7.3

SHAFT & KEY				
S	ES	R	N-W	U
0.188	1.41	0.771	2.25	0.875

TERMINAL BOX				
AA	XB	XC	XD	XE
3/4 NPT	1.42	5.4	4.4	4.4

GROUND LUG
M5

PERFORMANCE CURVES

Premium Efficiency Motor:

LAM1-12-145T

WorldWide Electric Corporation

1 (800) 808-2131

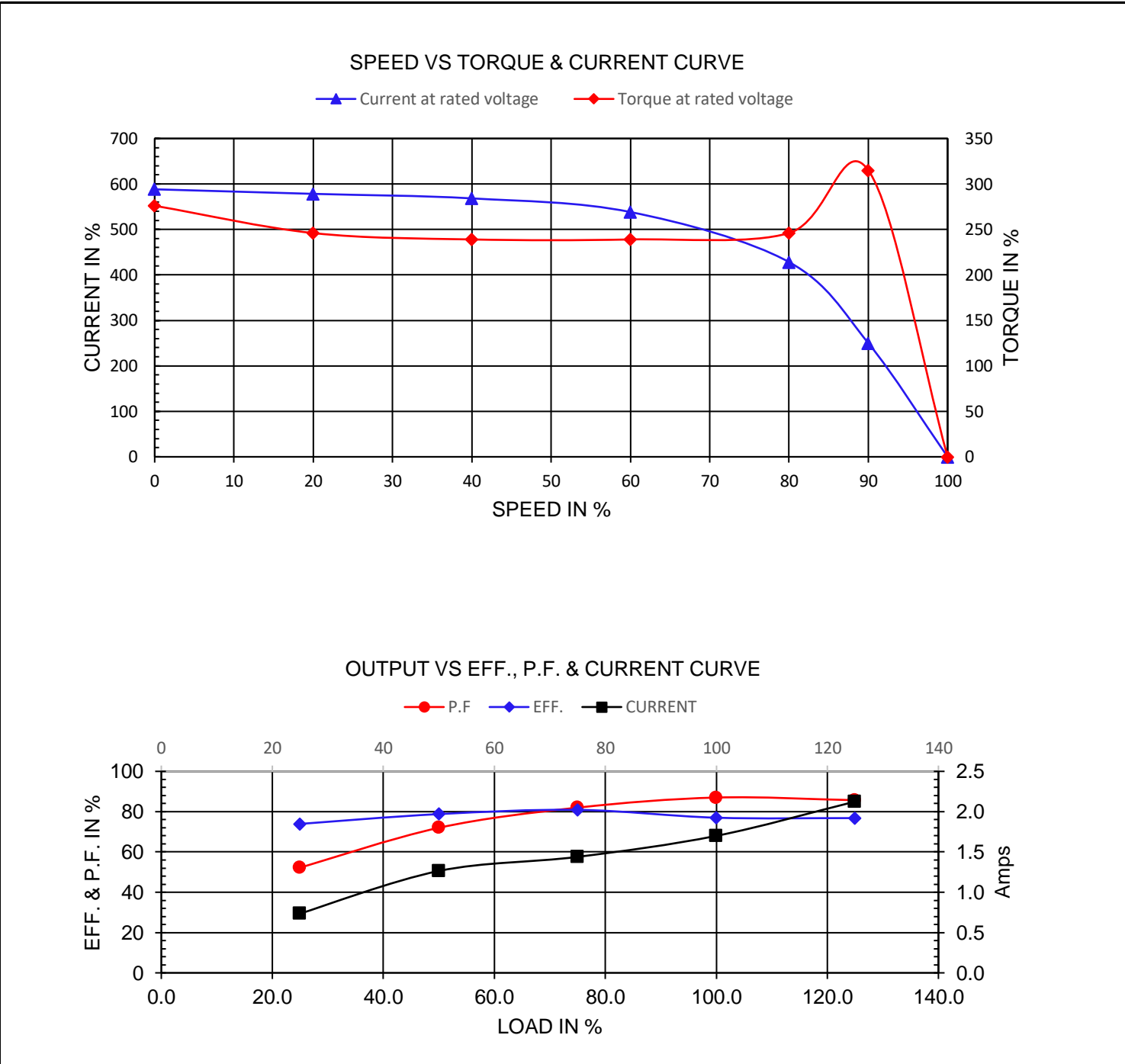
Worldwideelectric.net



Document Generated: 8-Sep-2023
Document ID:

Customer:

Motor Type	AEH3		FL Speed	1150	
Output Rating (HP)	1		LRT (%FLT)	276	460 volt FLA 1.7
Full Load Torque	4.5	lb.ft	BDT (%FLT)	315	230 volt FLA 3.4
Rotor Wk ²	0.116	lb-ft ²			



NAMEPLATE / WIRING

Premium Efficiency Motor: **LAM1-12-145T**

WorldWide Electric Corporation

1 (800) 808-2131

Worldwideelectric.net



Document Generated: 8-Sep-2023
Document ID:

Customer:

SAMPLE NAMEPLATE DATA

		THREE PHASE SEVERE DUTY MOTOR I EEE45					
Model :		Encl :	Type :	SN :			
HP :	Poles :	FR :	Ins :	Duty: Cont	IP :	Max Amb 40°C	
Hz :	CODE :	Hz :	Design :				
Volts :	P.F. :	Volts :	DE BRG :		230 V		
Amps :	Eff :	Amps :	ODE BRG :		460 V		
RPM :	S.F. :	RPM :	WT :		UL certified Class I, Division II, Groups A,B,C,D T3B		
		S.F. :	Date :				
CC306B				LOUIS ALLIS			
				A WORLDWIDE ELECTRIC COMPANY			

Model:	LAM1-12-145T	Encl:	TEFC	Type:	AEH3
HP:	1	Poles	6	FR:	143/5T
Hz:	60	CODE:	J	Ins:	F
Volts:	230/460	P.F.:	0.67	HP:	1
Amps:	3.4/1.7	Eff:	0.825	Design:	B
RPM:	1150	S.F.:	1.25	DE BRG:	6205 ZZ
				ODE BRG:	6204 ZZ
				WT:	60.8 lbs.
				S.F.:	1.00