

# DATA SHEET

Premium Efficiency Motor: **LAM1-12-145TC**

**60 Hz**

WorldWide Electric Corporation

1 (800) 808-2131

Worldwideelectric.net



Document Generated: 14-Sep-2023  
Document ID:

Customer:

MOTOR INFORMATION	
HP	1
RPM	1200
Phase	3
Frequency	60 Hz
Voltage	230/460
Frame Size	143/5TC
Enclosure	TEFC
Degree of Protection	IP55
Service Factor	1.25
Poles	6
Full Load Speed	1150
Insulation Class	F
Temp Rise	80°C
NEMA Code Letter	J
Duty Cycle	S1 / Continuous
Slip	4.17%
NEMA Design	B
Moment of Inertia	0.116 lb.ft.^2
Locked Rotor Time (Hot)	12 seconds
Sound Pressure Level	64 dB(A)
Number of Starts	2 Cold/1 Hot
Max Ambient Temperature	40°C
Max Elevation	1000 m.a.s.l (3300 f.a.s.l)
Mounting	F1
Rotation	Bi-Directional
Area of Classification	Class 1 Division 2 Groups A,B,C,D T3B
Inverter Rating	10:1 CT / 20:1 VT
Standard	NEMA MG-1
Approvals	UL, CE, IEEE45, ABS

EFFICIENCY/POWER FACTOR		
LOAD	EFF	P. F.
100%	82.5 %	0.67
75%	82.7 %	0.59
50%	80.5 %	0.46

TORQUE		
FULL LOAD	LRT	BDT
4.5 lb.ft.	276 %	315 %

AMPERAGE INFORMATION		
	230V	460V
Full Load Amps	3.4A	1.7
Locked Rotor Amps	20A	10A
No Load Current	2.2A	1.1A
Usable at 208V		3.8 A

BEARING INFORMATION	
DE Bearing	6205 ZZ
ODE Bearing	6204 ZZ
Grease Type	NSK SN7
DE Regreasing Interval	-- Hours
ODE Regreasing Interval	-- Hours
Grease Quantity	--

ADDITIONAL DATA	
F2 Suitable	Yes
Shaft Material	AISI 1045
Connection Diagram	9 Lead Wye
Approximate Weight	60.8 lbs.

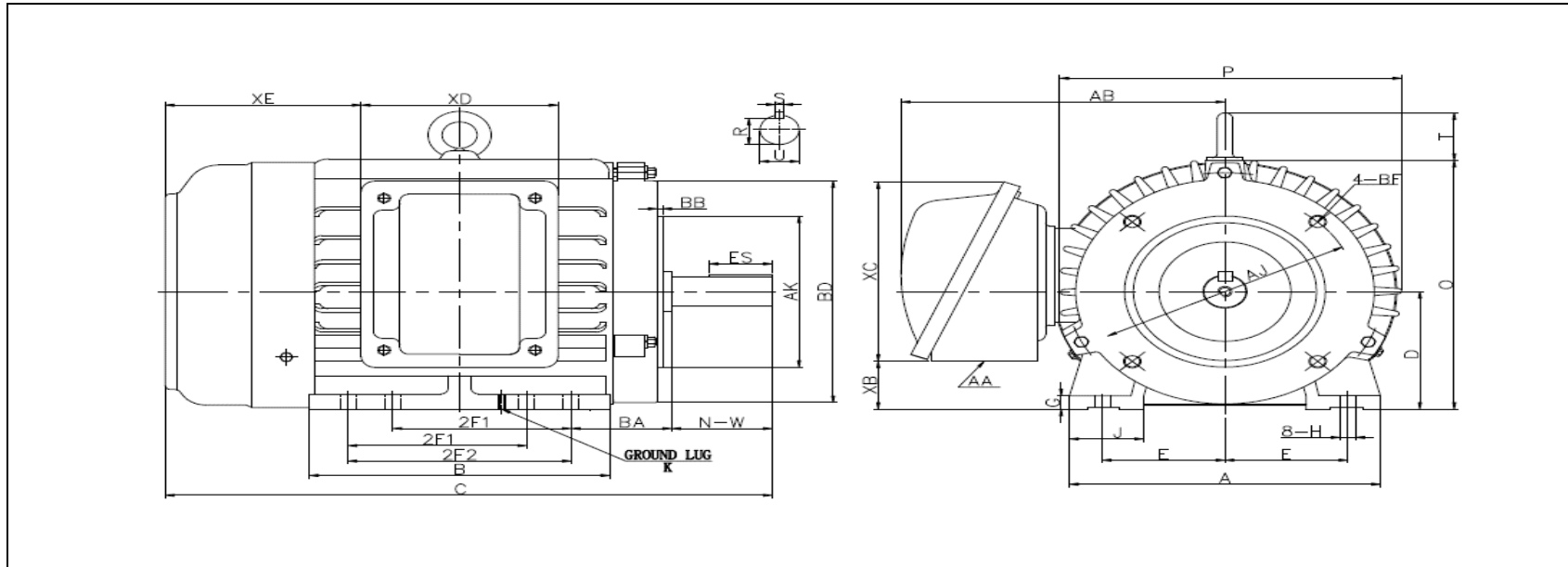
# MOTOR DRAWING

Premium Efficiency Motor: **LAM1-12-145TC**

WorldWide Electric Corporation

1 (800) 808-2131

Worldwideelectric.net



## DIMENSION - INCHES

MOUNTING					A	B	C	D	G	P	O	T	AB
E	2F1	2F2	H	BA									
2.75	4	5	0.34	2.25	7	6.77	13.59	3.5	0.39	7.66	7.41	1.4	7.3

SHAFT & KEY				
S	ES	R	N-W	U
0.188	1.41	0.771	2.25	0.875

TERMINAL BOX				
AA	XB	XC	XD	XE
3/4 NPT	1.42	5.4	4.4	4.4

GROUND LUG
M5

FLANGE				
AK	BD	AJ	BF	BB
4.5	6.5	5.875	4*3/8-16	0.16

# PERFORMANCE CURVES

Premium Efficiency Motor:

**LAM1-12-145TC**

WorldWide Electric Corporation

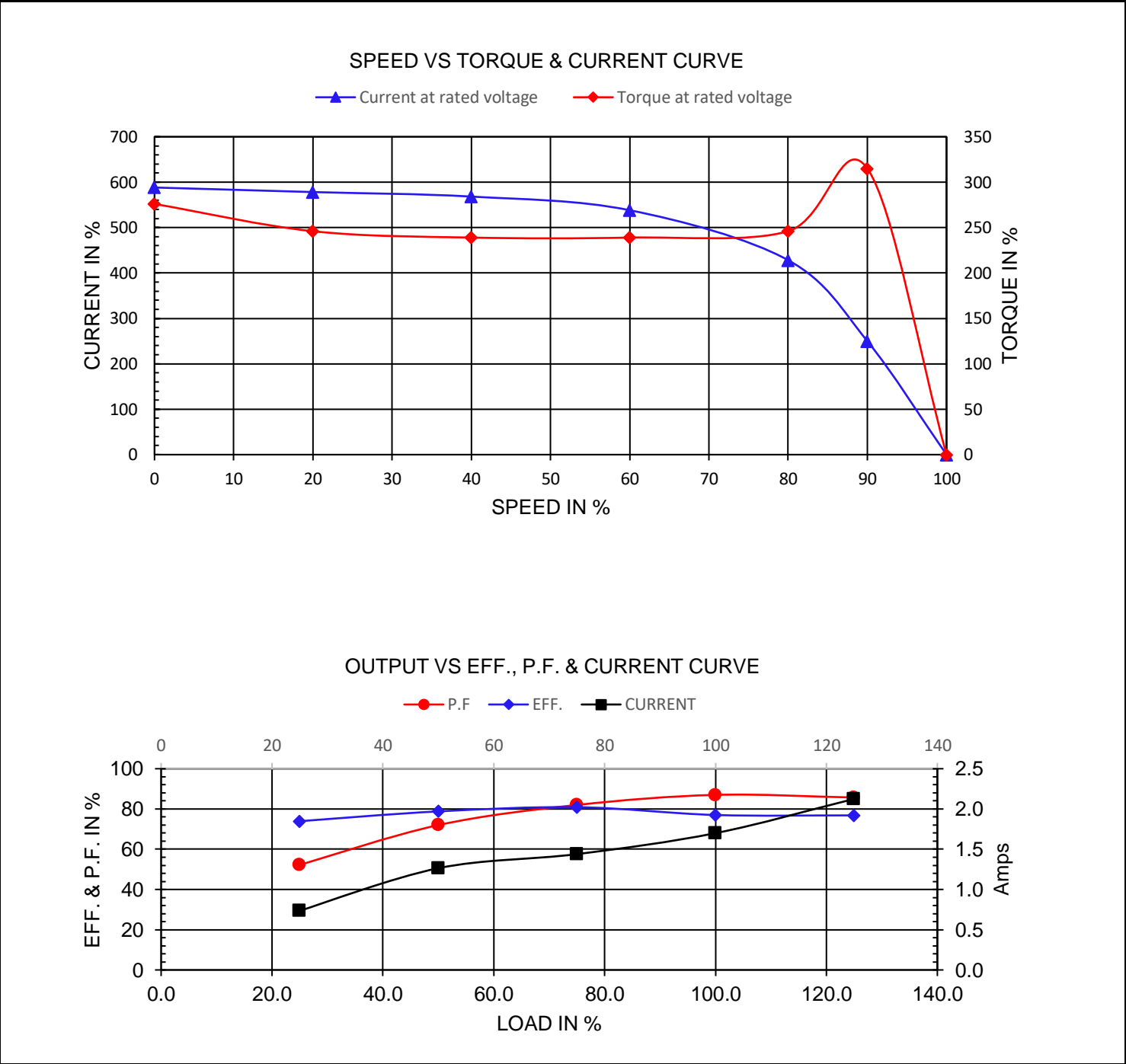
1 (800) 808-2131

Worldwideelectric.net



Document Generated: 14-Sep-2023	Customer:
Document ID:	

Motor Type	LAM		FL Speed	1150		
Output Rating (HP)	1		LRT (%FLT)	276	460 volt FLA	1.7
Full Load Torque	4.5	lb.ft	BDT (%FLT)	315	230 volt FLA	3.4A
Rotor Wk^2	0.116	lb-ft^2				



# NAMEPLATE / WIRING

Premium Efficiency Motor: **LAM1-12-145TC**

WorldWide Electric Corporation

1 (800) 808-2131

Worldwideelectric.net



Document Generated: 14-Sep-2023  
Document ID:

Customer:

## SAMPLE NAMEPLATE DATA

		<b>THREE PHASE SEVERE DUTY MOTOR</b>							
<b>Model :</b>		<b>Encl :</b>	<b>Type :</b>		<b>SN :</b>				
<b>HP :</b>	<b>Poles :</b>	<b>FR :</b>	<b>Ins:</b>	<b>Duty:</b>	<b>Cont</b>	<b>IP :</b>	<b>Max Amb 40°C</b>		
<b>Hz :</b>		<b>CODE :</b>		<b>Hz :</b>		<b>Design :</b>			230 V
<b>Volts :</b>		<b>P.F :</b>		<b>Volts :</b>		<b>DE BRG :</b>			460 V
<b>Amps :</b>		<b>Eff :</b>		<b>Amps :</b>		<b>ODE BRG :</b>			WT :
<b>RPM :</b>		<b>S.F :</b>		<b>RPM :</b>		<b>Date :</b>			UL certified Class I, Division II, Groups A,B,C,D T3B
CC306B				LOUIS ALLIS		A WORLDWIDE ELECTRIC COMPANY			

<b>Model:</b>	LAM1-12-145TC	<b>Encl:</b>	TEFC	<b>Type:</b>	AEH3		
<b>HP:</b>	1	<b>Poles</b>	6	<b>FR:</b>	143/5TC	<b>Ins:</b>	F
<b>Hz:</b>	60	<b>CODE:</b>	J	<b>Hz</b>	50	<b>HP:</b>	1
<b>Volts:</b>	230/460	<b>P.F:</b>	0.67	<b>Volts:</b>	190/380	<b>Design:</b>	B
<b>Amps:</b>	3.4/1.7	<b>Eff:</b>	0.825	<b>Amps</b>	3.9/1.95	<b>ODE BRG:</b>	6204 ZZ
<b>RPM:</b>	1150	<b>S.F:</b>	1.25	<b>RPM</b>	930	<b>WT:</b>	60.8 lbs.
				<b>S.F:</b>	1.00		