

DATA SHEET

Premium Efficiency Motor: **LAM1-18-143TCRD**

60 Hz

WorldWide Electric Corporation

1 (800) 808-2131

Worldwideelectric.net



Document Generated: 14-Sep-2023
Document ID:

Customer:

MOTOR INFORMATION	
HP	1
RPM	1800
Phase	3
Frequency	60 Hz
Voltage	230/460
Frame Size	143/5TC
Enclosure	TEFC
Degree of Protection	IP55
Service Factor	1.25
Poles	4
Full Load Speed	1740
Insulation Class	F
Temp Rise	80°C
NEMA Code Letter	L
Duty Cycle	S1 / Continuous
Slip	3.33%
NEMA Design	B
Moment of Inertia	0.0866765402843602 lb.ft.^2
Locked Rotor Time (Hot)	12 seconds
Sound Pressure Level	70 dB(A)
Number of Starts	2 Cold/1 Hot
Max Ambient Temperature	40°C
Max Elevation	1000 m.a.s.l (3300 f.a.s.l)
Mounting	F1
Rotation	Bi-Directional
Area of Classification	Class 1 Division 2 Groups A,B,C,D T3B
Inverter Rating	10:1 CT / 20:1 VT
Standard	NEMA MG-1
Approvals	UL, CE, IEEE45, ABS

EFFICIENCY/POWER FACTOR		
LOAD	EFF	P. F.
100%	85.5 %	0.8
75%	85.4 %	0.74
50%	83.8 %	0.62

TORQUE		
FULL LOAD	LRT	BDT
3 lb.ft.	311 %	349 %

AMPERAGE INFORMATION		
	230V	460V
Full Load Amps	2.8A	1.4
Locked Rotor Amps	22.6A	11.3A
No Load Current	1.4A	0.7A
Usable at 208V	3.1 A	

BEARING INFORMATION	
DE Bearing	6205 ZZ
ODE Bearing	6204 ZZ
Grease Type	NSK SN7
DE Regreasing Interval	-- Hours
ODE Regreasing Interval	-- Hours
Grease Quantity	--

ADDITIONAL DATA	
F2 Suitable	Yes
Shaft Material	AISI 1045
Connection Diagram	9 Lead Wye
Approximate Weight	54 lbs.

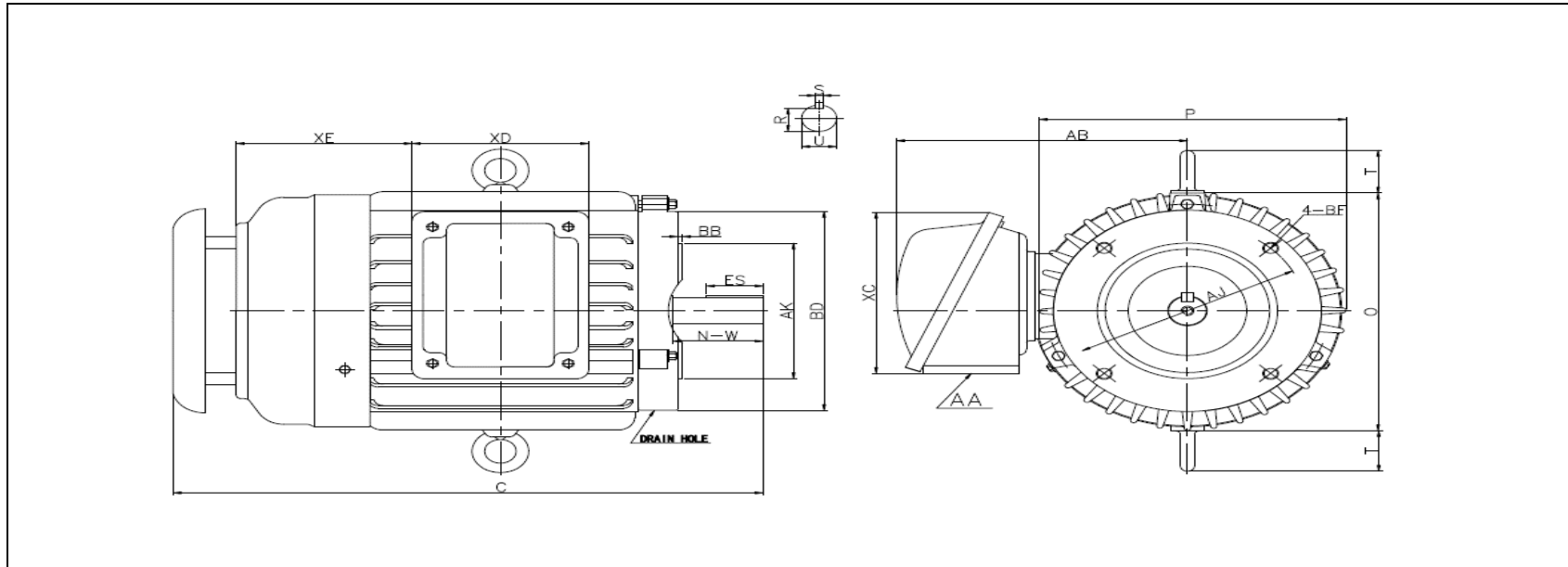
MOTOR DRAWING

Premium Efficiency Motor: **LAM1-18-143TRD**

WorldWide Electric Corporation

1 (800) 808-2131

Worldwideelectric.net



DIMENSION - INCHES

FLANGE MOUNTING					C	P	O	T	AB
AK	BD	AJ	BF	BB					
4.5	6.5	5.875	4*3/8-16	0.16	15.2	7.66	7.64	1.4	7.3

SHAFT & KEY				
S	ES	R	N-W	U
0.188	1.41	0.771	2.25	0.875

TERMINAL BOX			
AA	XC	XD	XE
3/4 NPT	5.4	4.4	4.4

PERFORMANCE CURVES

Premium Efficiency Motor:

LAM1-18-143CRD

WorldWide Electric Corporation

1 (800) 808-2131

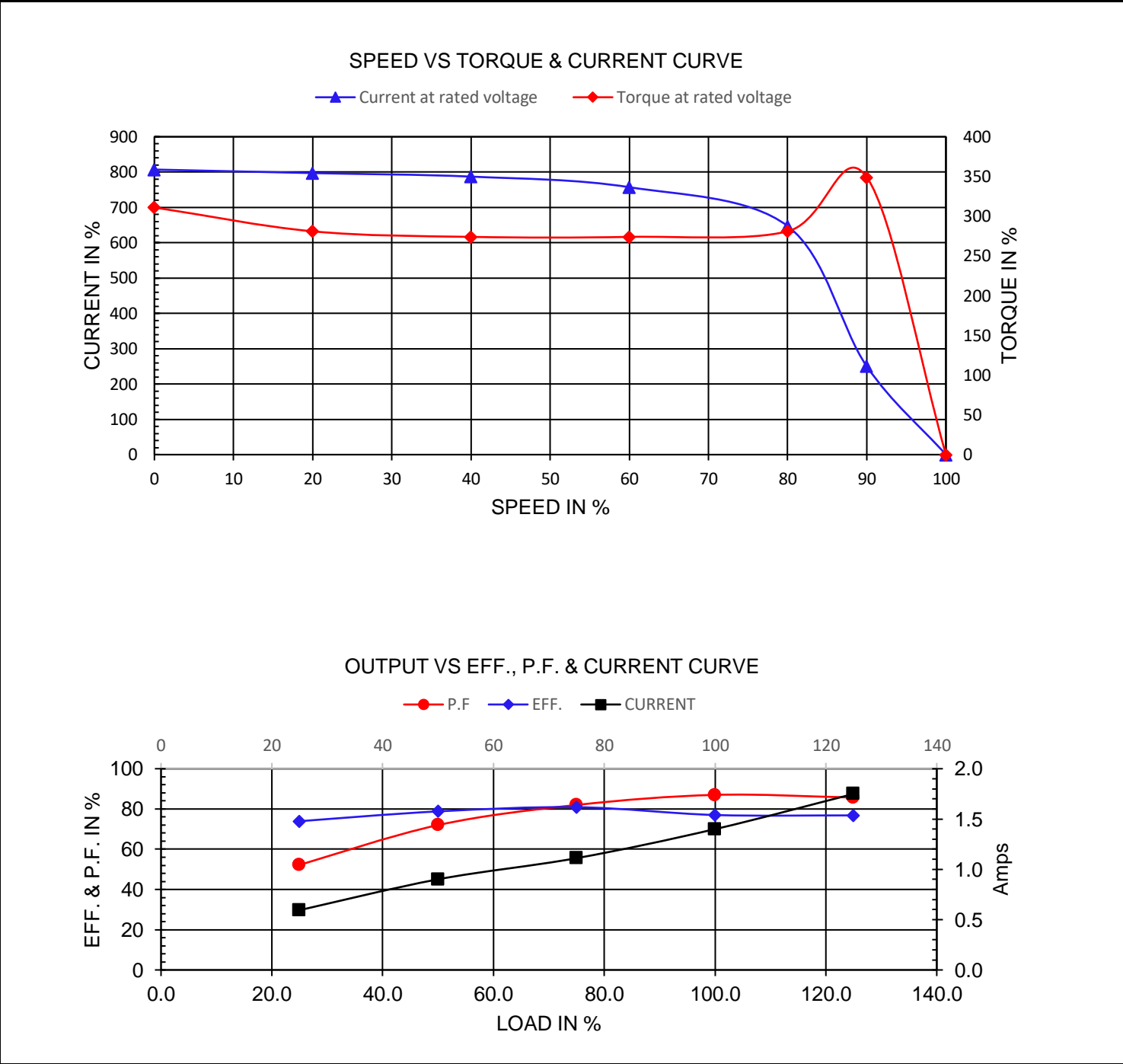
Worldwideelectric.net



Document Generated: 14-Sep-2023
Document ID:

Customer:

Motor Type	LAM		FL Speed	1740	
Output Rating (HP)	1		LRT (%FLT)	311	460 volt FLA 1.4
Full Load Torque	3	lb.ft	BDT (%FLT)	349	230 volt FLA 2.8A
Rotor Wk^2	0.086677 lb-ft^2				



NAMEPLATE / WIRING

Premium Efficiency Motor: **LAM1-18-143TCRD**

WorldWide Electric Corporation

1 (800) 808-2131

Worldwideelectric.net



Document Generated: 14-Sep-2023
Document ID:

Customer:

SAMPLE NAMEPLATE DATA

		THREE PHASE SEVERE DUTY MOTOR							
Model :		Encl :	Type :		SN :				
HP :	Poles :	FR :	Ins:	Duty:	Cont	IP :	Max Amb 40°C		
Hz :		CODE :		Hz :		Design :			230 V
Volts :		P.F. :		Volts :		DE BRG :			460 V
Amps :		Eff :		Amps :		ODE BRG :			WT :
RPM :		S.F. :		RPM :		Date :			UL certified Class I, Division II, Groups A,B,C,D T3B
CC306B				LOUIS ALLIS					A WORLDWIDE ELECTRIC COMPANY

Model:	LAM1-18-143TCRD	Encl:	TEFC	Type:	AEH3		
HP:	1	Poles	4	FR:	143/5TC	Ins:	F
Hz:	60	CODE:	L	Hz	50	HP:	1
Volts:	230/460	P.F.:	0.8	Volts:	190/380	Design:	B
Amps:	2.8/1.4	Eff:	0.855	Amps	3.4/1.7	ODE BRG:	6204 ZZ
RPM:	1740	S.F.:	1.25	RPM	1450	WT:	54 lbs.
				S.F.:	1.00		