

# DATA SHEET

Premium Efficiency Motor: **LAM1.5-18-145TCRD**

**60 Hz**

WorldWide Electric Corporation

1 (800) 808-2131

Worldwideelectric.net



Document Generated: 14-Sep-2023  
Document ID:

Customer:

| MOTOR INFORMATION       |                                       |
|-------------------------|---------------------------------------|
| HP                      | 1.5                                   |
| RPM                     | 1800                                  |
| Phase                   | 3                                     |
| Frequency               | 60 Hz                                 |
| Voltage                 | 230/460                               |
| Frame Size              | 143/5TC                               |
| Enclosure               | TEFC                                  |
| Degree of Protection    | IP55                                  |
| Service Factor          | 1.25                                  |
| Poles                   | 4                                     |
| Full Load Speed         | 1730                                  |
| Insulation Class        | F                                     |
| Temp Rise               | 80°C                                  |
| NEMA Code Letter        | L                                     |
| Duty Cycle              | S1 / Continuous                       |
| Slip                    | 3.89%                                 |
| NEMA Design             | B                                     |
| Moment of Inertia       | 0.0866765402843602 lb.ft.^2           |
| Locked Rotor Time (Hot) | 12 seconds                            |
| Sound Pressure Level    | 70 dB(A)                              |
| Number of Starts        | 2 Cold/1 Hot                          |
| Max Ambient Temperature | 40°C                                  |
| Max Elevation           | 1000 m.a.s.l (3300 f.a.s.l)           |
| Mounting                | F1                                    |
| Rotation                | Bi-Directional                        |
| Area of Classification  | Class 1 Division 2 Groups A,B,C,D T3B |
| Inverter Rating         | 10:1 CT / 20:1 VT                     |
| Standard                | NEMA MG-1                             |
| Approvals               | UL, CE, IEEE45, ABS                   |

| EFFICIENCY/POWER FACTOR |        |       |
|-------------------------|--------|-------|
| LOAD                    | EFF    | P. F. |
| 100%                    | 86.5 % | 0.75  |
| 75%                     | 86.8 % | 0.67  |
| 50%                     | 85.2 % | 0.54  |

| TORQUE      |       |       |
|-------------|-------|-------|
| FULL LOAD   | LRT   | BDT   |
| 4.44 lb.ft. | 360 % | 395 % |

| AMPERAGE INFORMATION |      |       |
|----------------------|------|-------|
|                      | 230V | 460V  |
| Full Load Amps       | 4.2A | 2.1   |
| Locked Rotor Amps    | 35A  | 17.5A |
| No Load Current      | 2.4A | 1.2A  |
| Usable at 208V       |      | 4.6 A |

| BEARING INFORMATION     |          |
|-------------------------|----------|
| DE Bearing              | 6205 ZZ  |
| ODE Bearing             | 6204 ZZ  |
| Grease Type             | NSK SN7  |
| DE Regreasing Interval  | -- Hours |
| ODE Regreasing Interval | -- Hours |
| Grease Quantity         | --       |

| ADDITIONAL DATA    |            |
|--------------------|------------|
| F2 Suitable        | Yes        |
| Shaft Material     | AISI 1045  |
| Connection Diagram | 9 Lead Wye |
| Approximate Weight | 55.1 lbs.  |

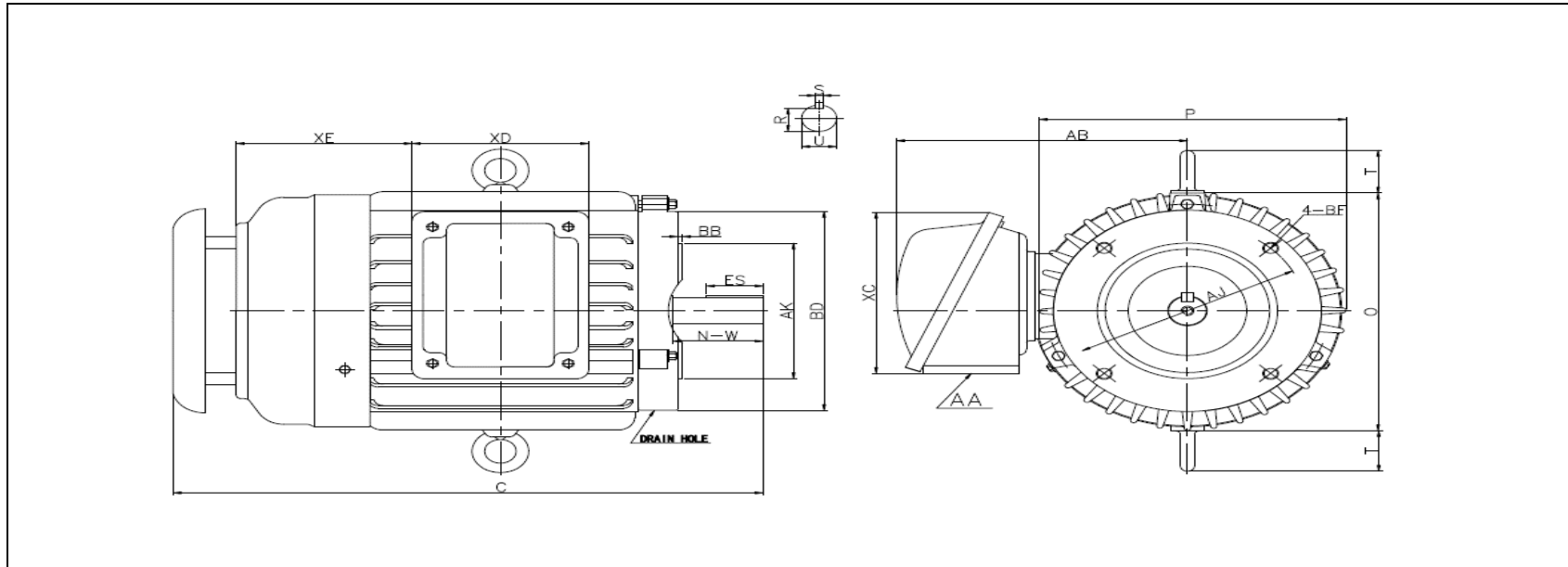
# MOTOR DRAWING

Premium Efficiency Motor: **LAM1.5-18-145TCRD**

WorldWide Electric Corporation

1 (800) 808-2131

Worldwideelectric.net



## DIMENSION - INCHES

| FLANGE MOUNTING |     |       |          |      | C    | P    | O    | T   | AB  |
|-----------------|-----|-------|----------|------|------|------|------|-----|-----|
| AK              | BD  | AJ    | BF       | BB   |      |      |      |     |     |
| 4.5             | 6.5 | 5.875 | 4*3/8-16 | 0.16 | 15.2 | 7.66 | 7.64 | 1.4 | 7.3 |

| SHAFT & KEY |      |       |      |       |
|-------------|------|-------|------|-------|
| S           | ES   | R     | N-W  | U     |
| 0.188       | 1.41 | 0.771 | 2.25 | 0.875 |

| TERMINAL BOX |     |     |     |
|--------------|-----|-----|-----|
| AA           | XC  | XD  | XE  |
| 3/4 NPT      | 5.4 | 4.4 | 4.4 |

# PERFORMANCE CURVES

WorldWide Electric Corporation

1 (800) 808-2131

Worldwideelectric.net

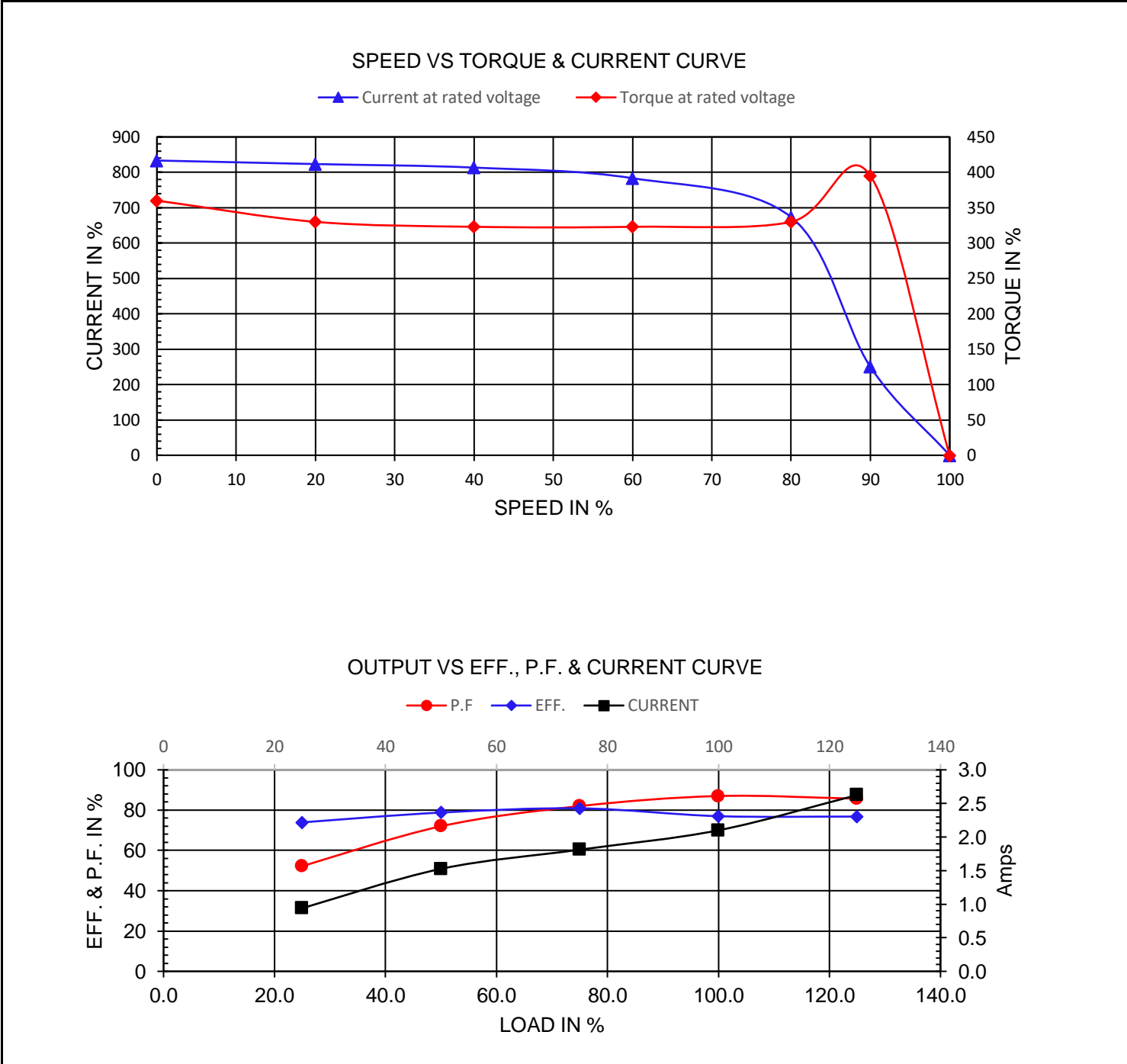


Premium Efficiency Motor:

**LAM1.5-18-145TCRD**

|                                 |           |
|---------------------------------|-----------|
| Document Generated: 14-Sep-2023 | Customer: |
| Document ID:                    |           |

|                       |          |                    |            |      |              |      |
|-----------------------|----------|--------------------|------------|------|--------------|------|
| Motor Type            | LAM      |                    | FL Speed   | 1730 |              |      |
| Output Rating (HP)    | 1.5      |                    | LRT (%FLT) | 360  | 460 volt FLA | 2.1  |
| Full Load Torque      | 4.44     | lb.ft              | BDT (%FLT) | 395  | 230 volt FLA | 4.2A |
| Rotor Wk <sup>2</sup> | 0.086677 | lb-ft <sup>2</sup> |            |      |              |      |



# NAMEPLATE / WIRING

Premium Efficiency Motor: **LAM1.5-18-145TCRD**

WorldWide Electric Corporation

1 (800) 808-2131

Worldwideelectric.net



Document Generated: 14-Sep-2023  
Document ID:

Customer:

## SAMPLE NAMEPLATE DATA

|                |                |                                      |               |                              |             |                     |  |   |  |
|----------------|----------------|--------------------------------------|---------------|------------------------------|-------------|---------------------|--|---|--|
|                |                | <b>THREE PHASE SEVERE DUTY MOTOR</b> |               |                              |             |                     |  |   |  |
| <b>Model :</b> |                | <b>Encl :</b>                        | <b>Type :</b> |                              | <b>SN :</b> |                     |  |   |  |
| <b>HP :</b>    | <b>Poles :</b> | <b>FR :</b>                          | <b>Ins:</b>   | <b>Duty: Cont</b>            | <b>IP :</b> | <b>Max Amb 40°C</b> |  |   |  |
| <b>Hz :</b>    |                | <b>CODE :</b>                        |               | <b>Hz :</b>                  |             | <b>Design :</b>     |  |   |  |
| <b>Volts :</b> |                | <b>P.F :</b>                         |               | <b>Volts :</b>               |             | <b>DE BRG :</b>     |  |   |  |
| <b>Amps :</b>  |                | <b>Eff :</b>                         |               | <b>Amps :</b>                |             | <b>ODE BRG :</b>    |  |   |  |
| <b>RPM :</b>   |                | <b>S.F :</b>                         |               | <b>RPM :</b>                 |             | <b>WT :</b>         |  |   |  |
|                |                |                                      |               | <b>S.F :</b>                 |             | <b>Date :</b>       |  |   |  |
| CC306B         |                |                                      |               | LOUIS ALLIS                  |             |                     |  | UL certified Class I, Division II, Groups A,B,C,D T3B |  |
|                |                |                                      |               | A WORLDWIDE ELECTRIC COMPANY |             |                     |  |   |  |

|               |                   |              |       |               |         |                 |           |
|---------------|-------------------|--------------|-------|---------------|---------|-----------------|-----------|
| <b>Model:</b> | LAM1.5-18-145TCRD | <b>Encl:</b> | TEFC  | <b>Type:</b>  | AEH3    |                 |           |
| <b>HP:</b>    | 1.5               | <b>Poles</b> | 4     | <b>FR:</b>    | 143/5TC | <b>Ins:</b>     | F         |
| <b>Hz:</b>    | 60                | <b>CODE:</b> | L     | <b>Hz</b>     | 50      | <b>HP:</b>      | 1.5       |
| <b>Volts:</b> | 230/460           | <b>P.F:</b>  | 0.75  | <b>Volts:</b> | 190/380 | <b>Design:</b>  | B         |
| <b>Amps:</b>  | 4.2/2.1           | <b>Eff:</b>  | 0.865 | <b>Amps</b>   | 5.0/2.5 | <b>ODE BRG:</b> | 6204 ZZ   |
| <b>RPM:</b>   | 1730              | <b>S.F:</b>  | 1.25  | <b>RPM</b>    | 1440    | <b>WT:</b>      | 55.1 lbs. |
|               |                   |              |       | <b>S.F:</b>   | 1.00    |                 |           |