

# DATA SHEET

Premium Efficiency Motor: **LAM10-36-215T**

**60 Hz**

WorldWide Electric Corporation

1 (800) 808-2131

Worldwideelectric.net



Document Generated: 8-Sep-2023  
Document ID:

Customer:

MOTOR INFORMATION	
HP	10
RPM	3600
Phase	3
Frequency	60 Hz
Voltage	230/460
Frame Size	213/5T
Enclosure	TEFC
Degree of Protection	IP55
Service Factor	1.25
Poles	2
Full Load Speed	3500
Insulation Class	F
Temp Rise	80°C
NEMA Code Letter	H
Duty Cycle	S1 / Continuous
Slip	2.78%
NEMA Design	B
Moment of Inertia	0.522 lb.ft.^2
Locked Rotor Time (Hot)	12 seconds
Sound Pressure Level	91 dB(A)
Number of Starts	2 Cold/1 Hot
Max Ambient Temperature	40°C
Max Elevation	1000 m.a.s.l (3300 f.a.s.l)
Mounting	Rigid
Rotation	Bi-Directional
Area of Classification	Class 1 Division 2 Groups A,B,C,D T3B
Inverter Rating	10:1 CT / 20:1 VT
Standard	NEMA MG-1
Approvals	UL, CE, IEEE45, ABS

EFFICIENCY/POWER FACTOR		
LOAD	EFF	P. F.
100%	90.2 %	0.9
75%	91.0 %	0.88
50%	90.2 %	0.82

TORQUE		
FULL LOAD	LRT	BDT
14.85 lb.ft.	411 %	471 %

AMPERAGE INFORMATION		
	230V	460V
Full Load Amps	23.2A	11.6A
Locked Rotor Amps	176.4A	88.2A
No Load Current	5.8A	2.9A
Usable at 208V		25.7 A

BEARING INFORMATION	
DE Bearing	6308 ZZ
ODE Bearing	6306 ZZ
Grease Type	NSK SN7
DE Regreasing Interval	-- Hours
ODE Regreasing Interval	-- Hours
Grease Quantity	--

ADDITIONAL DATA	
F2 Suitable	Yes
Shaft Material	AISI 1045
Connection Diagram	9 Lead Wye
Approximate Weight	194 lbs.

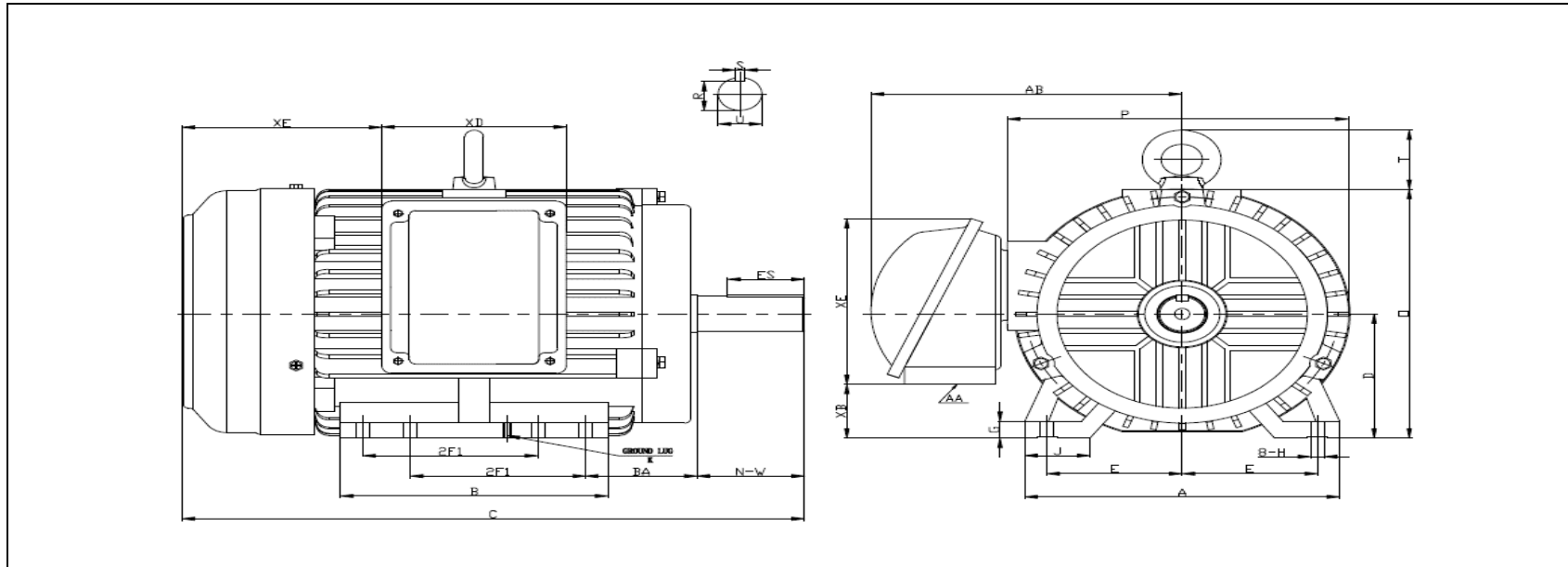
# MOTOR DRAWING

Premium Efficiency Motor: **LAM10-36-215T**

WorldWide Electric Corporation

1 (800) 808-2131

Worldwideelectric.net



## DIMENSION - INCHES

MOUNTING					A	B	C	D	G	J	P	O	T	AB
E	2F1	2F2	H	BA										
4.25	5.5	7	0.43	3.5	9.88	8.405	19.8	5.25	0.708	1.91	10.8	10.53	1.72	9.8

SHAFT & KEY				
S	ES	R	N-W	U
0.31	2.41	1.201	3.38	1.375

TERMINAL BOX				
AA	XB	XC	XD	XE
1 NPT	2.25	7.9	5.8	6.5

GROUND LUG
M5

# PERFORMANCE CURVES

Premium Efficiency Motor:

**LAM10-36-215T**

WorldWide Electric Corporation

1 (800) 808-2131

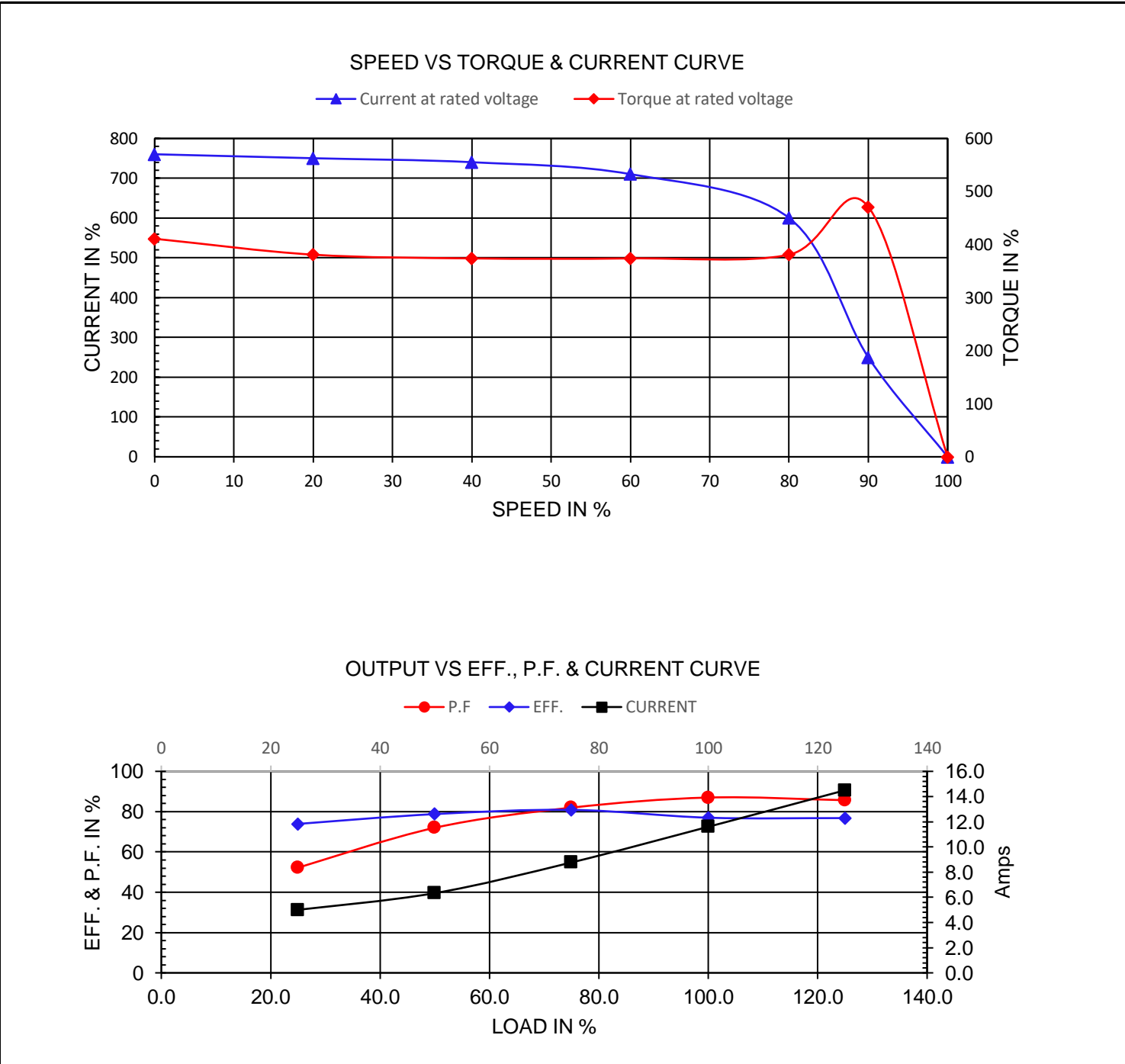
Worldwideelectric.net



Document Generated: 8-Sep-2023  
Document ID:

Customer:

Motor Type	AEH3		FL Speed	3500	
Output Rating (HP)	10		LRT (%FLT)	411	460 volt FLA 11.6
Full Load Torque	14.85 lb.ft		BDT (%FLT)	471	230 volt FLA 23.2
Rotor Wk <sup>2</sup>	0.522 lb-ft <sup>2</sup>				



# NAMEPLATE / WIRING

Premium Efficiency Motor: **LAM10-36-215T**

WorldWide Electric Corporation

1 (800) 808-2131

Worldwideelectric.net



Document Generated: 8-Sep-2023  
Document ID:

Customer:

## SAMPLE NAMEPLATE DATA

		<b>THREE PHASE SEVERE DUTY MOTOR I EEE45</b>								
Model :		Encl :	Type :	SN :			4 5 6			
HP :	Poles :	FR :	Ins :	Duty: Cont	IP :	Max Amb 40°C	7 8 9	1 2 3	L1 L2 L3	
Hz :		CODE :	Hz :		Design :			230 V		
Volts :		P.F :	Volts :		DE BRG :			7 8 9		
Amps :		Eff :	Amps :		ODE BRG :			4 5 6		
RPM :		S.F :	RPM :		WT :			1 2 3		
			S.F :		Date :			L1 L2 L3		
								460 V		
CC306B		<b>LOUIS ALLIS</b> <small>A WORLDWIDE ELECTRIC COMPANY</small>					UL certified Class I, Division II, Groups A,B,C,D T3B			

<b>Model:</b>	LAM10-36-215T		<b>Encl:</b>	TEFC		<b>Type:</b>	AEH3		
<b>HP:</b>	10	<b>Poles</b>	2	<b>FR:</b>	213/5T	<b>Ins:</b>	F	<b>IP:</b>	55
<b>Hz:</b>	60	<b>CODE:</b>	H	<b>Hz</b>	50	<b>HP:</b>	10	<b>Design:</b>	B
<b>Volts:</b>	230/460	<b>P.F:</b>	0.9	<b>Volts:</b>	190/380				
<b>Amps:</b>	23.2/11.6	<b>Eff:</b>	0.902	<b>Amps</b>	27.8/13.9				
<b>RPM:</b>	3500	<b>S.F:</b>	1.25	<b>RPM</b>	2910				
				<b>S.F:</b>	1.00				
						<b>DE BRG:</b>	6308 ZZ		
						<b>ODE BRG:</b>	6306 ZZ		
						<b>WT:</b>	194 lbs.		