

DATA SHEET

Premium Efficiency Motor: **LAM100-12-444T**

60 Hz

WorldWide Electric Corporation

1 (800) 808-2131

Worldwideelectric.net



Document Generated: 8-Sep-2023
Document ID:

Customer:

MOTOR INFORMATION	
HP	100
RPM	1200
Phase	3
Frequency	60 Hz
Voltage	230/460
Frame Size	444/5T
Enclosure	TEFC
Degree of Protection	IP55
Service Factor	1.25
Poles	6
Full Load Speed	1185
Insulation Class	F
Temp Rise	80°C
NEMA Code Letter	G
Duty Cycle	S1 / Continuous
Slip	1.25%
NEMA Design	B
Moment of Inertia	39.891 lb.ft.^2
Locked Rotor Time (Hot)	12 seconds
Sound Pressure Level	94 dB(A)
Number of Starts	2 Cold/1 Hot
Max Ambient Temperature	40°C
Max Elevation	1000 m.a.s.l (3300 f.a.s.l)
Mounting	Rigid
Rotation	Bi-Directional
Area of Classification	Class 1 Division 2 Groups A,B,C,D T3B
Inverter Rating	10:1 CT / 20:1 VT
Standard	NEMA MG-1
Approvals	UL, CE, IEEE45, ABS

EFFICIENCY/POWER FACTOR		
LOAD	EFF	P. F.
100%	95.0 %	0.87
75%	94.8 %	0.85
50%	94.6 %	0.8

TORQUE		
FULL LOAD	LRT	BDT
445.8 lb.ft.	203 %	281 %

AMPERAGE INFORMATION		
	230V	460V
Full Load Amps	230A	115A
Locked Rotor Amps	1536.8A	768.4A
No Load Current	59.6A	29.8A
Usable at 208V		254.3 A

BEARING INFORMATION	
DE Bearing	NU320 C3
ODE Bearing	6316 C3
Grease Type	Mobil Polyrex EM
DE Regreasing Interval	2400 Hours
ODE Regreasing Interval	3600 Hours
Grease Quantity	51g/33g

ADDITIONAL DATA	
F2 Suitable	Yes
Shaft Material	AISI 1045
Connection Diagram	12 Lead Delta
Approximate Weight	1473.7 lbs.

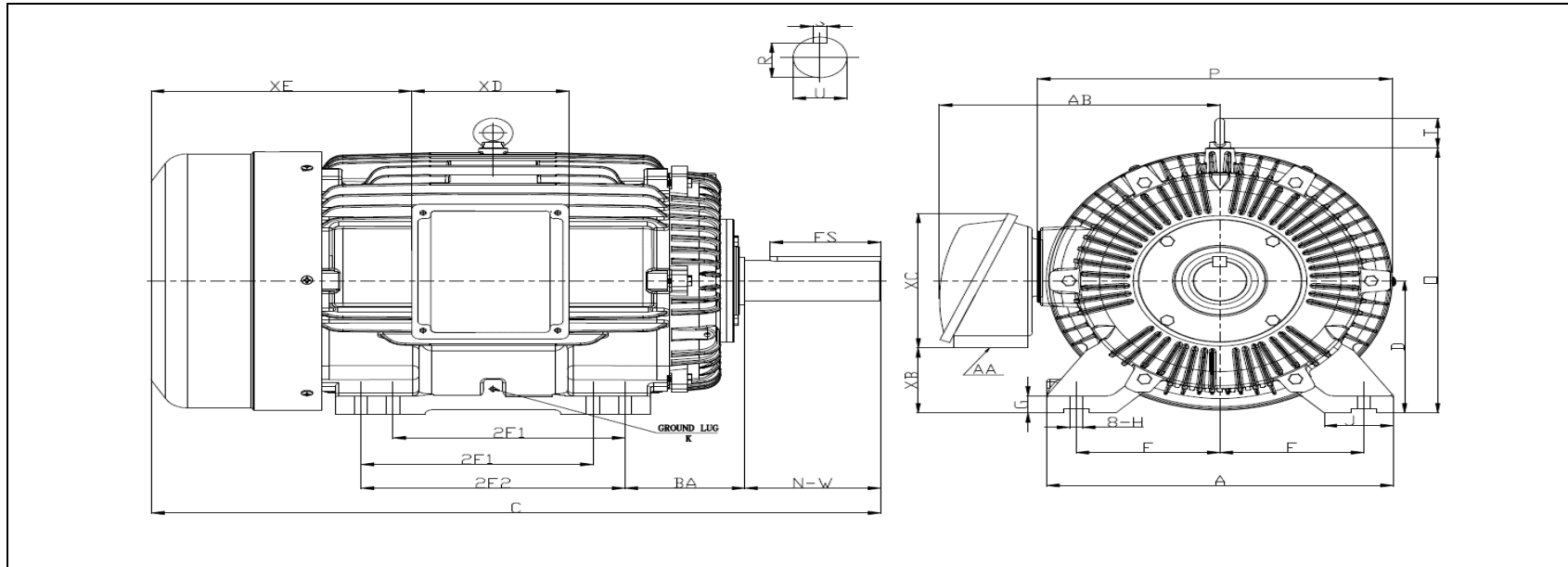
MOTOR DRAWING

Premium Efficiency Motor: **LAM100-12-444T**

WorldWide Electric Corporation

1 (800) 808-2131

Worldwideelectric.net



DIMENSION - INCHES

MOUNTING					A	B	C	D	G	J	P	O	T	AB
E	2F1	2F2	H	BA										
9	14.5	16.5	0.81	7.5	21.69	19.29	46.65	11	1.417	4.33	22.05	21.65	2.81	19.095

SHAFT & KEY				
S	ES	R	N-W	U
0.875	6.91	2.88	8.5	3.375

TERMINAL BOX				
AA	XB	XC	XD	XE
3 NPT	4.29	11.27	9.17	15.47

GROUND LUG
M8

PERFORMANCE CURVES

WorldWide Electric Corporation

1 (800) 808-2131

Worldwideelectric.net



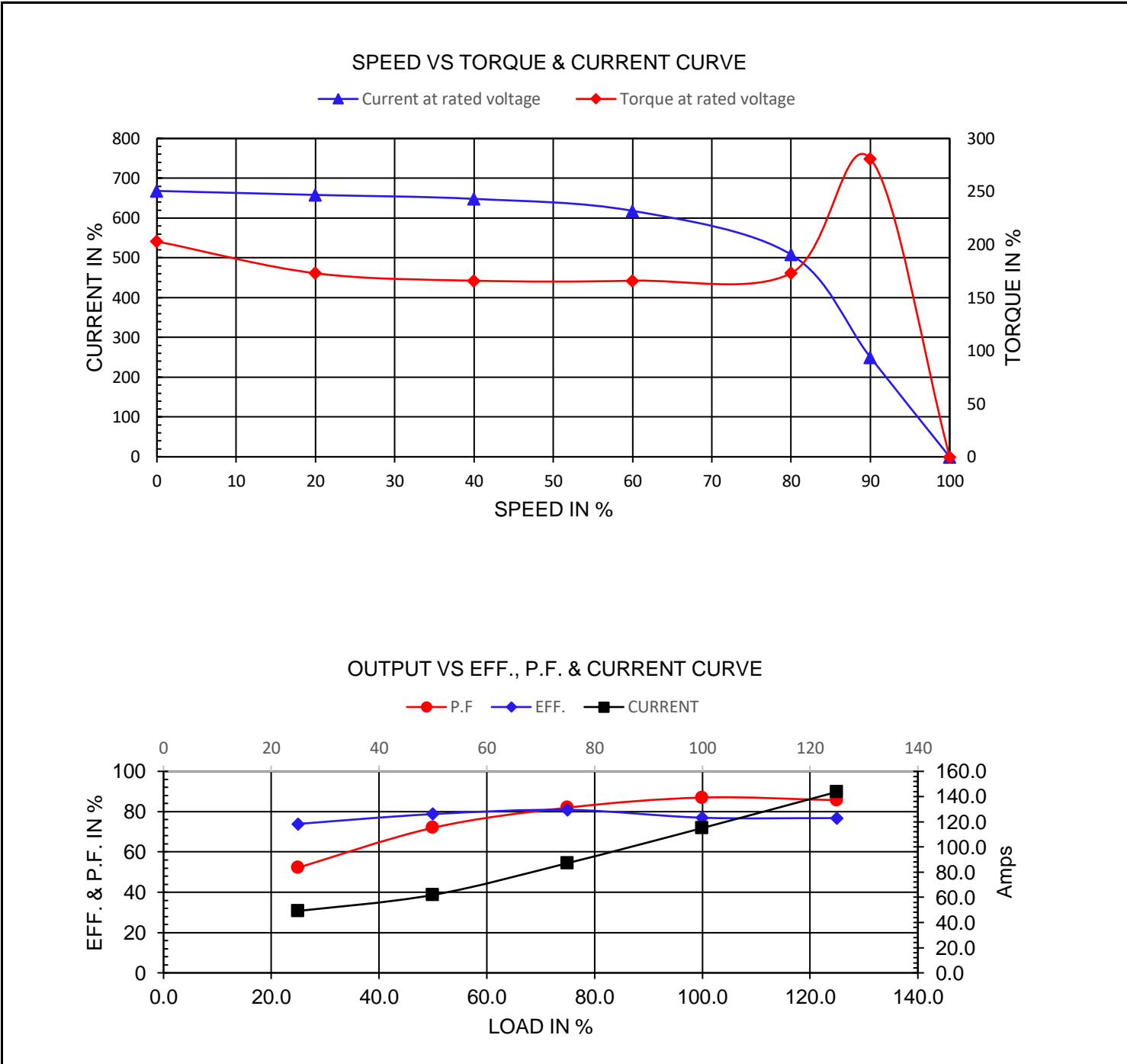
Premium Efficiency Motor:

LAM100-12-444T

Document Generated: 8-Sep-2023
Document ID:

Customer:

Motor Type	AEH3		FL Speed	1185	
Output Rating (HP)	100		LRT (%FLT)	203	460 volt FLA 115
Full Load Torque	445.8 lb.ft		BDT (%FLT)	281	230 volt FLA 230
Rotor Wk ²	39.891 lb-ft ²				



NAMEPLATE / WIRING

Premium Efficiency Motor: **LAM100-12-444T**

WorldWide Electric Corporation

1 (800) 808-2131

Worldwideelectric.net



Document Generated: 8-Sep-2023
Document ID:

Customer:

SAMPLE NAMEPLATE DATA

		THREE PHASE SEVERE DUTY MOTOR I EEE45																									
Model :		Encl :		Type :		SN :		<table style="width: 100%; border-collapse: collapse;"> <tr> <td style="text-align: center;">7</td> <td style="text-align: center;">8</td> <td style="text-align: center;">9</td> </tr> <tr> <td style="text-align: center;">6</td> <td style="text-align: center;">4</td> <td style="text-align: center;">5</td> </tr> <tr> <td style="text-align: center;">12</td> <td style="text-align: center;">10</td> <td style="text-align: center;">11</td> </tr> <tr> <td style="text-align: center;">1</td> <td style="text-align: center;">2</td> <td style="text-align: center;">3</td> </tr> <tr> <td style="text-align: center;">L1</td> <td style="text-align: center;">L2</td> <td style="text-align: center;">L3</td> </tr> <tr> <td colspan="3" style="text-align: center;">230 V</td> </tr> </table>		7	8	9	6	4	5	12	10	11	1	2	3	L1	L2	L3	230 V		
7	8	9																									
6	4	5																									
12	10	11																									
1	2	3																									
L1	L2	L3																									
230 V																											
HP :	Poles :	FR:	Ins:	Duty: Cont	IP :	Max Amb 40°C																					
Hz :	CODE :		Hz :	HP :	Design :																						
Volts :	P.F :		Volts :	DE BRG :																							
Amps :	Eff :		Amps :	ODE BRG :																							
RPM :	S.F :		RPM :	WT :																							
			S.F :	Date :																							
CC306B		LOUIS ALLIS A WORLDWIDE ELECTRIC COMPANY						UL certified Class I, Division II, Groups A,B,C,D T3B																			

Model:	LAM100-12-444T	Encl:	TEFC	Type:	AEH3
HP:	100	Poles	6	FR:	444/5T
Hz:	60	CODE:	G	Ins:	F
Volts:	230/460	P.F:	0.87	Hz	50
Amps:	230/115	Eff:	0.95	HP:	100
RPM:	1185	S.F:	1.25	Volts:	190/380
			Amps	281.4/140.7	
			RPM	980	
			S.F:	1.00	
			Design:	B	
			DE BRG:	NU320 C3	
			ODE BRG:	6316 C3	
			WT:	1473.7 lbs.	