

# DATA SHEET

Premium Efficiency Motor: **LAM100-12-444TC**

**60 Hz**

WorldWide Electric Corporation

1 (800) 808-2131

Worldwideelectric.net



Document Generated: 14-Sep-2023  
Document ID:

Customer:

MOTOR INFORMATION	
HP	100
RPM	1200
Phase	3
Frequency	60 Hz
Voltage	230/460
Frame Size	444/5TC
Enclosure	TEFC
Degree of Protection	IP55
Service Factor	1.25
Poles	6
Full Load Speed	1185
Insulation Class	F
Temp Rise	80°C
NEMA Code Letter	G
Duty Cycle	S1 / Continuous
Slip	1.25%
NEMA Design	B
Moment of Inertia	39.891 lb.ft.^2
Locked Rotor Time (Hot)	12 seconds
Sound Pressure Level	94 dB(A)
Number of Starts	2 Cold/1 Hot
Max Ambient Temperature	40°C
Max Elevation	1000 m.a.s.l (3300 f.a.s.l)
Mounting	F1
Rotation	Bi-Directional
Area of Classification	Class 1 Division 2 Groups A,B,C,D T3B
Inverter Rating	10:1 CT / 20:1 VT
Standard	NEMA MG-1
Approvals	UL, CE, IEEE45, ABS

EFFICIENCY/POWER FACTOR		
LOAD	EFF	P. F.
100%	95.0 %	0.87
75%	94.8 %	0.85
50%	94.6 %	0.8

TORQUE		
FULL LOAD	LRT	BDT
445.8 lb.ft.	203 %	281 %

AMPERAGE INFORMATION		
	230V	460V
Full Load Amps	230A	115
Locked Rotor Amps	1536.8A	768.4A
No Load Current	59.6A	29.8A
Usable at 208V		254.3 A

BEARING INFORMATION	
DE Bearing	6320 C3
ODE Bearing	6316 C3
Grease Type	Mobil Polyrex EM
DE Regreasing Interval	2400 Hours
ODE Regreasing Interval	3600 Hours
Grease Quantity	51g/33g

ADDITIONAL DATA	
F2 Suitable	Yes
Shaft Material	AISI 1045
Connection Diagram	12 Lead Delta
Approximate Weight	1473.7 lbs.

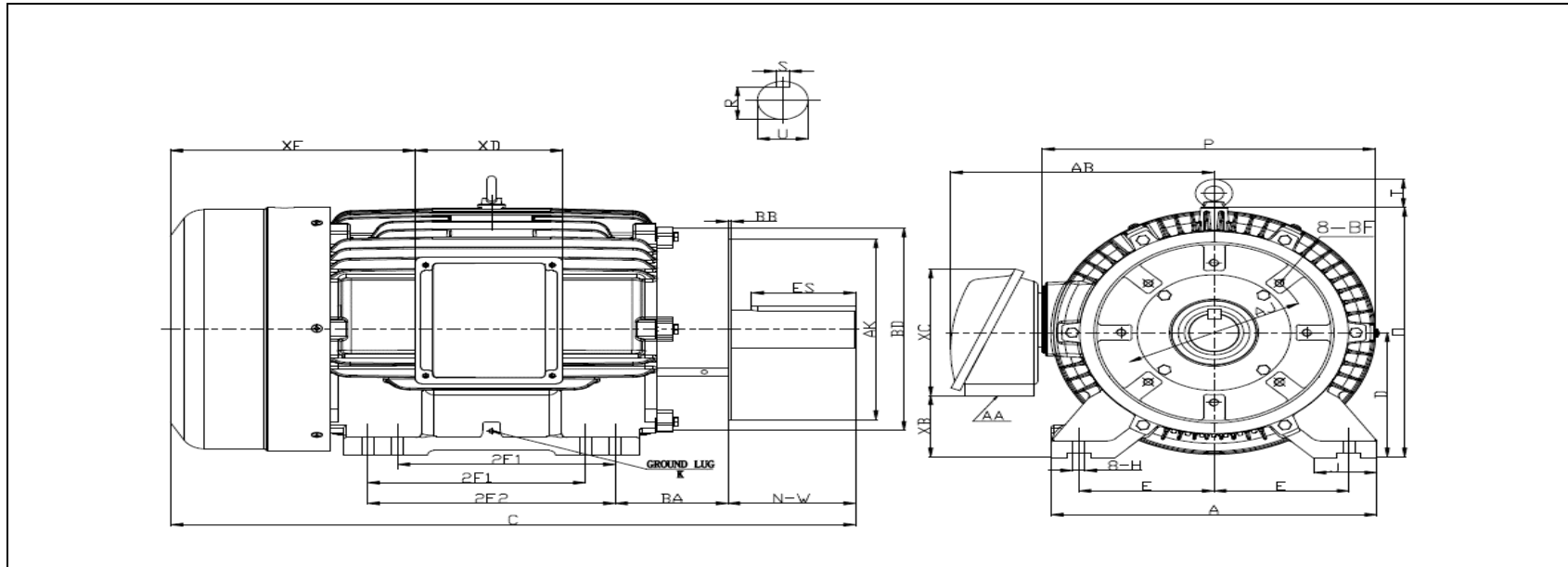
# MOTOR DRAWING

Premium Efficiency Motor: **LAM100-12-444TC**

WorldWide Electric Corporation

1 (800) 808-2131

Worldwideelectric.net



## DIMENSION - INCHES

MOUNTING					A	B	C	D	G	P	O	T	AB
E	2F1	2F2	H	BA									
9	14.5	16.5	0.81	7.5	21.69	19.29	46.65	11	1.417	22.05	21.65	2.81	19.095

SHAFT & KEY				
S	ES	R	N-W	U
0.875	6.91	2.88	8.5	3.375

TERMINAL BOX				
AA	XB	XC	XD	XE
3 NPT	4.29	11.27	9.17	15.47

GROUND LUG
M8

FLANGE				
AK	BD	AJ	BF	BB
16	18	14	8*5/8-11	0.25

# PERFORMANCE CURVES

WorldWide Electric Corporation

1 (800) 808-2131

Worldwideelectric.net



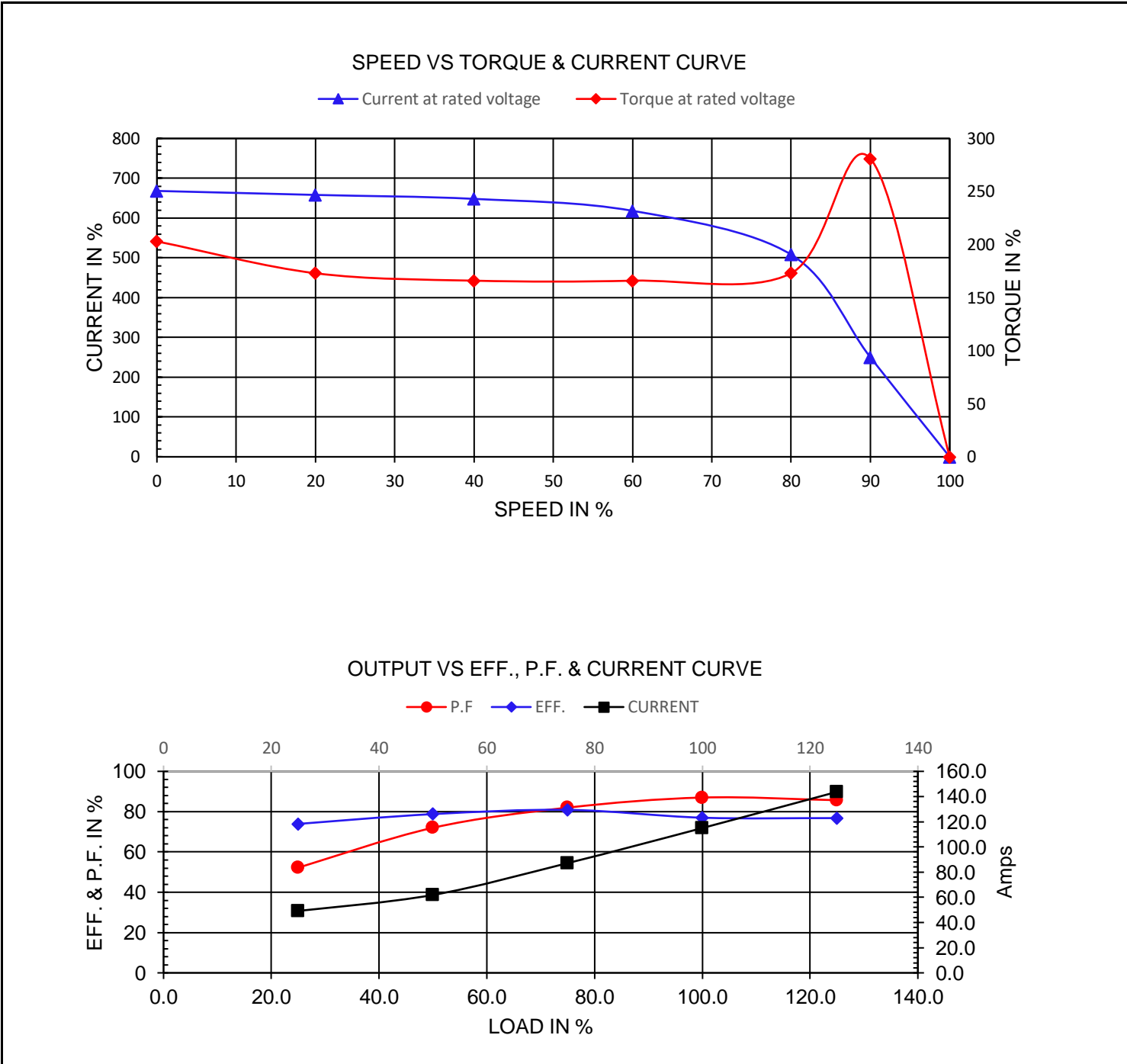
Premium Efficiency Motor:

**LAM100-12-444TC**

Document Generated: 14-Sep-2023  
Document ID:

Customer:

Motor Type	LAM		FL Speed	1185	
Output Rating (HP)	100		LRT (%FLT)	203	460 volt FLA 115
Full Load Torque	445.8	lb.ft	BDT (%FLT)	281	230 volt FLA 230A
Rotor Wk <sup>2</sup>	39.891	lb-ft <sup>2</sup>			



# NAMEPLATE / WIRING

Premium Efficiency Motor: **LAM100-12-444TC**

WorldWide Electric Corporation

1 (800) 808-2131

Worldwideelectric.net



Document Generated: 14-Sep-2023  
Document ID:

Customer:

## SAMPLE NAMEPLATE DATA

		<b>THREE PHASE SEVERE DUTY MOTOR IEEE45</b>																																											
Model :		Encl :	Type :	SN :				<table style="border: none;"> <tr><td>7</td><td>8</td><td>9</td></tr> <tr><td>6</td><td>4</td><td>5</td></tr> <tr><td>12</td><td>10</td><td>11</td></tr> <tr><td>1</td><td>2</td><td>3</td></tr> <tr><td>L1</td><td>L2</td><td>L3</td></tr> <tr><td colspan="3" style="text-align: center;">230 V</td></tr> <tr><td>7</td><td>8</td><td>9</td></tr> <tr><td>4</td><td>5</td><td>6</td></tr> <tr><td>12</td><td>10</td><td>11</td></tr> <tr><td>1</td><td>2</td><td>3</td></tr> <tr><td>L1</td><td>L2</td><td>L3</td></tr> <tr><td colspan="3" style="text-align: center;">460 V</td></tr> </table>		7	8	9	6	4	5	12	10	11	1	2	3	L1	L2	L3	230 V			7	8	9	4	5	6	12	10	11	1	2	3	L1	L2	L3	460 V		
7	8	9																																											
6	4	5																																											
12	10	11																																											
1	2	3																																											
L1	L2	L3																																											
230 V																																													
7	8	9																																											
4	5	6																																											
12	10	11																																											
1	2	3																																											
L1	L2	L3																																											
460 V																																													
HP :	Poles :	FR:	Ins:	Duty: Cont	IP :	Max Amb 40°C																																							
Hz :	CODE :		Hz :	HP :	Design :																																								
Volts :	P.F :		Volts :	DE BRG :																																									
Amps :	Eff :		Amps :	ODE BRG :																																									
RPM :	S.F :		RPM :	WT :																																									
			S.F :	Date :																																									
CC306B		<b>LOUIS ALLIS</b> A WORLDWIDE ELECTRIC COMPANY					UL certified Class I, Division II, Groups A,B,C,D T3B																																						

<b>Model:</b>	LAM100-12-444TC	<b>Encl:</b>	TEFC	<b>Type:</b>	AEH3				
<b>HP:</b>	100	<b>Poles</b>	6	<b>FR:</b>	444/5TC	<b>Ins:</b>	F	<b>IP:</b>	55
<b>Hz:</b>	60	<b>CODE:</b>	G	<b>Hz</b>	50	<b>HP:</b>	100	<b>Design:</b>	B
<b>Volts:</b>	230/460	<b>P.F:</b>	0.87	<b>Volts:</b>	190/380				
<b>Amps:</b>	230/115	<b>Eff:</b>	0.95	<b>Amps</b>	281.4/140.7				
<b>RPM:</b>	1185	<b>S.F:</b>	1.25	<b>RPM</b>	980				
				<b>S.F:</b>	1.00				
						<b>WT:</b> 1473.7 lbs.			