

DATA SHEET

Premium Efficiency Motor: **LAM125-12-445TC**

60 Hz

WorldWide Electric Corporation

1 (800) 808-2131

Worldwideelectric.net



Document Generated: 14-Sep-2023
Document ID:

Customer:

MOTOR INFORMATION	
HP	125
RPM	1200
Phase	3
Frequency	60 Hz
Voltage	230/460
Frame Size	444/5TC
Enclosure	TEFC
Degree of Protection	IP55
Service Factor	1.25
Poles	6
Full Load Speed	1185
Insulation Class	F
Temp Rise	80°C
NEMA Code Letter	G
Duty Cycle	S1 / Continuous
Slip	1.25%
NEMA Design	B
Moment of Inertia	48.398 lb.ft.^2
Locked Rotor Time (Hot)	12 seconds
Sound Pressure Level	94 dB(A)
Number of Starts	2 Cold/1 Hot
Max Ambient Temperature	40°C
Max Elevation	1000 m.a.s.l (3300 f.a.s.l)
Mounting	F1
Rotation	Bi-Directional
Area of Classification	Class 1 Division 2 Groups A,B,C,D T3B
Inverter Rating	10:1 CT / 20:1 VT
Standard	NEMA MG-1
Approvals	UL, CE, IEEE45, ABS

EFFICIENCY/POWER FACTOR		
LOAD	EFF	P. F.
100%	95.0 %	0.84
75%	95.1 %	0.81
50%	94.8 %	0.73

TORQUE		
FULL LOAD	LRT	BDT
533.9 lb.ft.	229 %	336 %

AMPERAGE INFORMATION		
	230V	460V
Full Load Amps	282.6A	141.3
Locked Rotor Amps	1973A	986.5A
No Load Current	98.6A	49.3A
Usable at 208V	312.5 A	

BEARING INFORMATION	
DE Bearing	6320 C3
ODE Bearing	6316 C3
Grease Type	Mobil Polyrex EM
DE Regreasing Interval	2400 Hours
ODE Regreasing Interval	3600 Hours
Grease Quantity	51g/33g

ADDITIONAL DATA	
F2 Suitable	Yes
Shaft Material	AISI 1045
Connection Diagram	12 Lead Delta
Approximate Weight	1532.2 lbs.

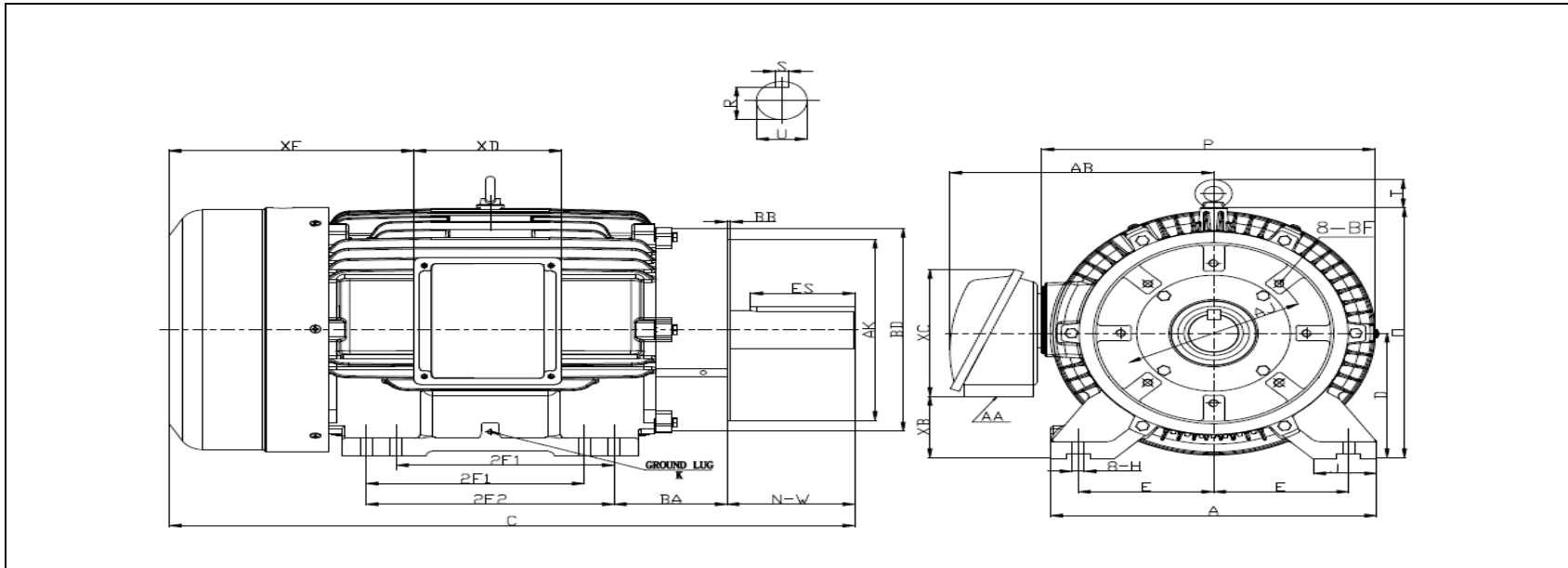
MOTOR DRAWING

Premium Efficiency Motor: **LAM125-12-445TC**

WorldWide Electric Corporation

1 (800) 808-2131

Worldwideelectric.net



DIMENSION - INCHES

MOUNTING					A	B	C	D	G	P	O	T	AB
E	2F1	2F2	H	BA									
9	14.5	16.5	0.81	7.5	21.69	19.29	46.65	11	1.417	22.05	21.65	2.81	19.095

SHAFT & KEY				
S	ES	R	N-W	U
0.875	6.91	2.88	8.5	3.375

TERMINAL BOX				
AA	XB	XC	XD	XE
3 NPT	4.29	11.27	9.17	15.47

GROUND LUG
M8

FLANGE				
AK	BD	AJ	BF	BB
16	18	14	8*5/8-11	0.25

PERFORMANCE CURVES

Premium Efficiency Motor:

LAM125-12-445TC

WorldWide Electric Corporation

1 (800) 808-2131

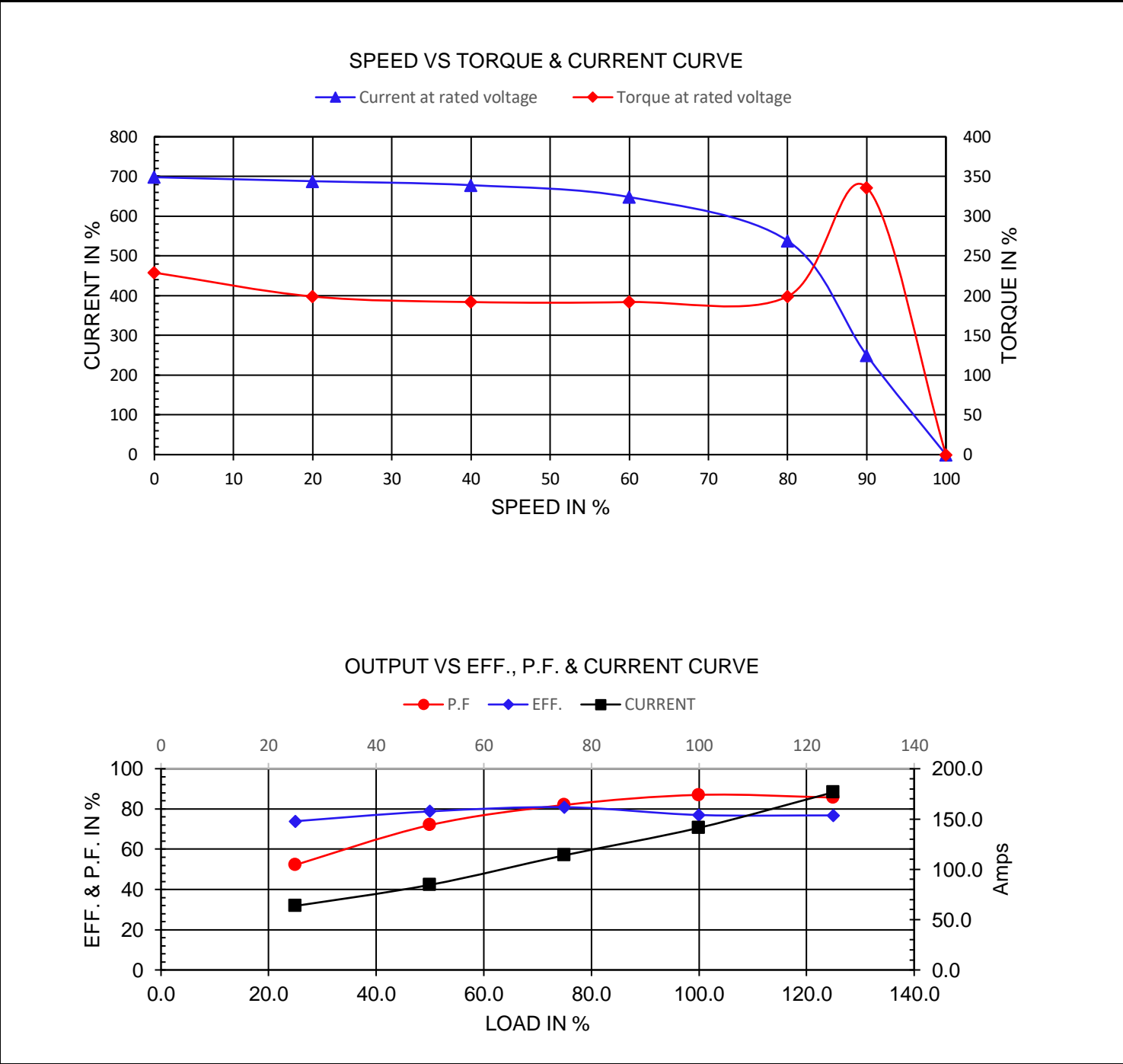
Worldwideelectric.net



Document Generated: 14-Sep-2023
Document ID:

Customer:

Motor Type	LAM		FL Speed	1185	
Output Rating (HP)	125		LRT (%FLT)	229	460 volt FLA 141.3
Full Load Torque	533.9 lb.ft		BDT (%FLT)	336	230 volt FLA 282.6A
Rotor Wk^2	48.398 lb-ft^2				



NAMEPLATE / WIRING

Premium Efficiency Motor: **LAM125-12-445TC**

WorldWide Electric Corporation

1 (800) 808-2131

Worldwideelectric.net



Document Generated: 14-Sep-2023
Document ID:

Customer:

SAMPLE NAMEPLATE DATA

		THREE PHASE SEVERE DUTY MOTOR IEEE45																									
Model :		Encl :	Type :	SN :			<table style="width: 100%; border-collapse: collapse;"> <tr> <td style="text-align: center;">7</td> <td style="text-align: center;">8</td> <td style="text-align: center;">9</td> </tr> <tr> <td style="text-align: center;">6</td> <td style="text-align: center;">4</td> <td style="text-align: center;">5</td> </tr> <tr> <td style="text-align: center;">12</td> <td style="text-align: center;">10</td> <td style="text-align: center;">11</td> </tr> <tr> <td style="text-align: center;">1</td> <td style="text-align: center;">2</td> <td style="text-align: center;">3</td> </tr> <tr> <td style="text-align: center;">L1</td> <td style="text-align: center;">L2</td> <td style="text-align: center;">L3</td> </tr> <tr> <td colspan="3" style="text-align: center;">230 V</td> </tr> </table>			7	8	9	6	4	5	12	10	11	1	2	3	L1	L2	L3	230 V		
7	8	9																									
6	4	5																									
12	10	11																									
1	2	3																									
L1	L2	L3																									
230 V																											
HP :	Poles :	FR:	Ins:	Duty: Cont	IP :	Max Amb 40°C																					
Hz :	CODE :		Hz :	HP :	Design :																						
Volts :	P.F :		Volts :	DE BRG :																							
Amps :	Eff :		Amps :	ODE BRG :																							
RPM :	S.F :		RPM :	WT :																							
			S.F :	Date :																							
CC306B		LOUIS ALLIS A WORLDWIDE ELECTRIC COMPANY					UL certified Class I, Division II, Groups A,B,C,D T3B																				

Model:	LAM125-12-445TC	Encl:	TEFC	Type:	AEH3				
HP:	125	Poles	6	FR:	444/5TC	Ins:	F	IP:	55
Hz:	60	CODE:	G	Hz	50	HP:	125	Design:	B
Volts:	230/460	P.F:	0.84	Volts:	190/380				
Amps:	282.6/141.3	Eff:	0.95	Amps	338.8/169.4				
RPM:	1185	S.F:	1.25	RPM	980				
				S.F:	1.00				
						WT: 1532.2 lbs.			