

DATA SHEET

Premium Efficiency Motor: **LAM125-18-444TBB**

60 Hz

WorldWide Electric Corporation

1 (800) 808-2131

Worldwideelectric.net



Document Generated: 8-Sep-2023
Document ID:

Customer:

MOTOR INFORMATION	
HP	125
RPM	1800
Phase	3
Frequency	60 Hz
Voltage	230/460
Frame Size	444/5T
Enclosure	TEFC
Degree of Protection	IP55
Service Factor	1.25
Poles	4
Full Load Speed	1785
Insulation Class	F
Temp Rise	80°C
NEMA Code Letter	F
Duty Cycle	S1 / Continuous
Slip	0.83%
NEMA Design	B
Moment of Inertia	32.119 lb.ft.^2
Locked Rotor Time (Hot)	12 seconds
Sound Pressure Level	100 dB(A)
Number of Starts	2 Cold/1 Hot
Max Ambient Temperature	40°C
Max Elevation	1000 m.a.s.l (3300 f.a.s.l)
Mounting	Rigid
Rotation	Bi-Directional
Area of Classification	Class 1 Division 2 Groups A,B,C,D T3B
Inverter Rating	10:1 CT / 20:1 VT
Standard	NEMA MG-1
Approvals	UL, CE, IEEE45, ABS

EFFICIENCY/POWER FACTOR		
LOAD	EFF	P. F.
100%	95.4 %	0.87
75%	95.2 %	0.86
50%	94.6 %	0.81

TORQUE		
FULL LOAD	LRT	BDT
356.5 lb.ft.	160 %	244 %

AMPERAGE INFORMATION		
	230V	460V
Full Load Amps	273.2A	136.6A
Locked Rotor Amps	1752.6A	876.3A
No Load Current	66.2A	33.1A
Usable at 208V		301.4 A

BEARING INFORMATION	
DE Bearing	6320 C3
ODE Bearing	6316 C3
Grease Type	Mobil Polyrex EM
DE Regreasing Interval	2400 Hours
ODE Regreasing Interval	3600 Hours
Grease Quantity	51g/33g

ADDITIONAL DATA	
F2 Suitable	Yes
Shaft Material	AISI 1045
Connection Diagram	12 Lead Delta
Approximate Weight	1371.2 lbs.

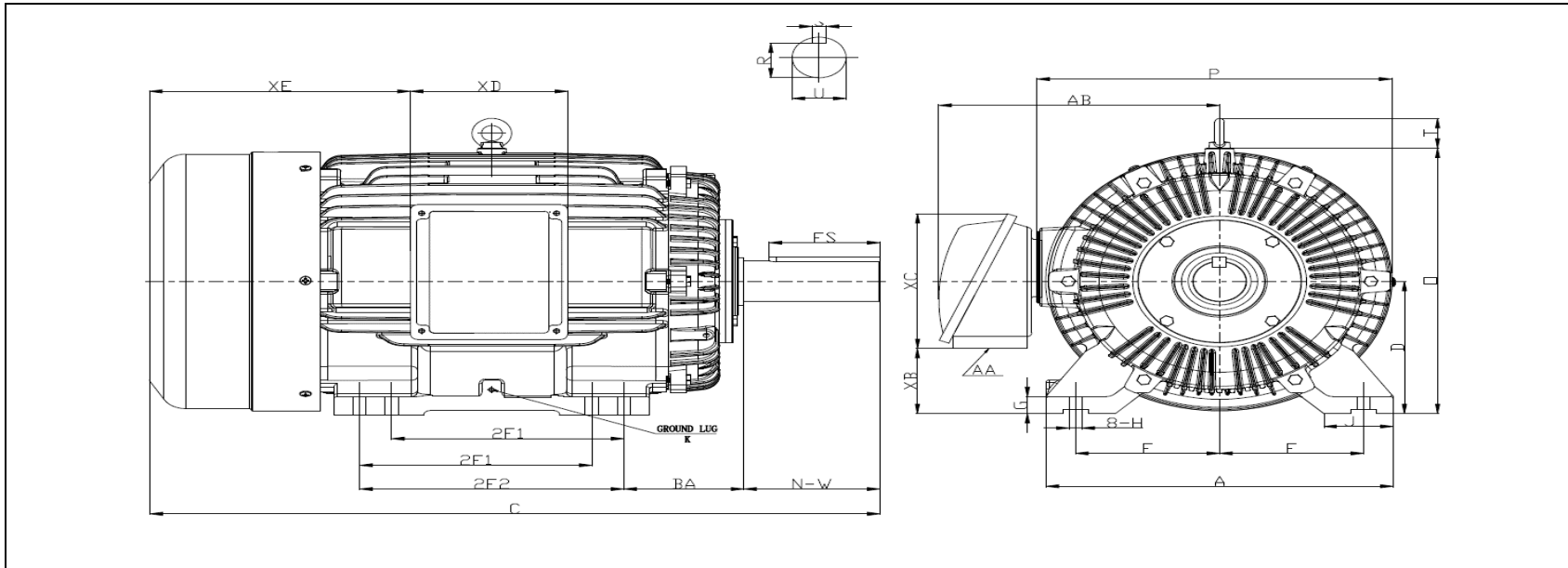
MOTOR DRAWING

Premium Efficiency Motor: **LAM125-18-444TBB**

WorldWide Electric Corporation

1 (800) 808-2131

Worldwideelectric.net



DIMENSION - INCHES

MOUNTING					A	B	C	D	G	J	P	O	T	AB
E	2F1	2F2	H	BA										
9	14.5	16.5	0.81	7.5	21.69	19.29	46.65	11	1.417	4.33	22.05	21.65	2.81	19.095

SHAFT & KEY				
S	ES	R	N-W	U
0.875	6.91	2.88	8.5	3.375

TERMINAL BOX				
AA	XB	XC	XD	XE
3 NPT	4.29	11.27	9.17	15.47

GROUND LUG
M8

PERFORMANCE CURVES

WorldWide Electric Corporation

1 (800) 808-2131

Worldwideelectric.net

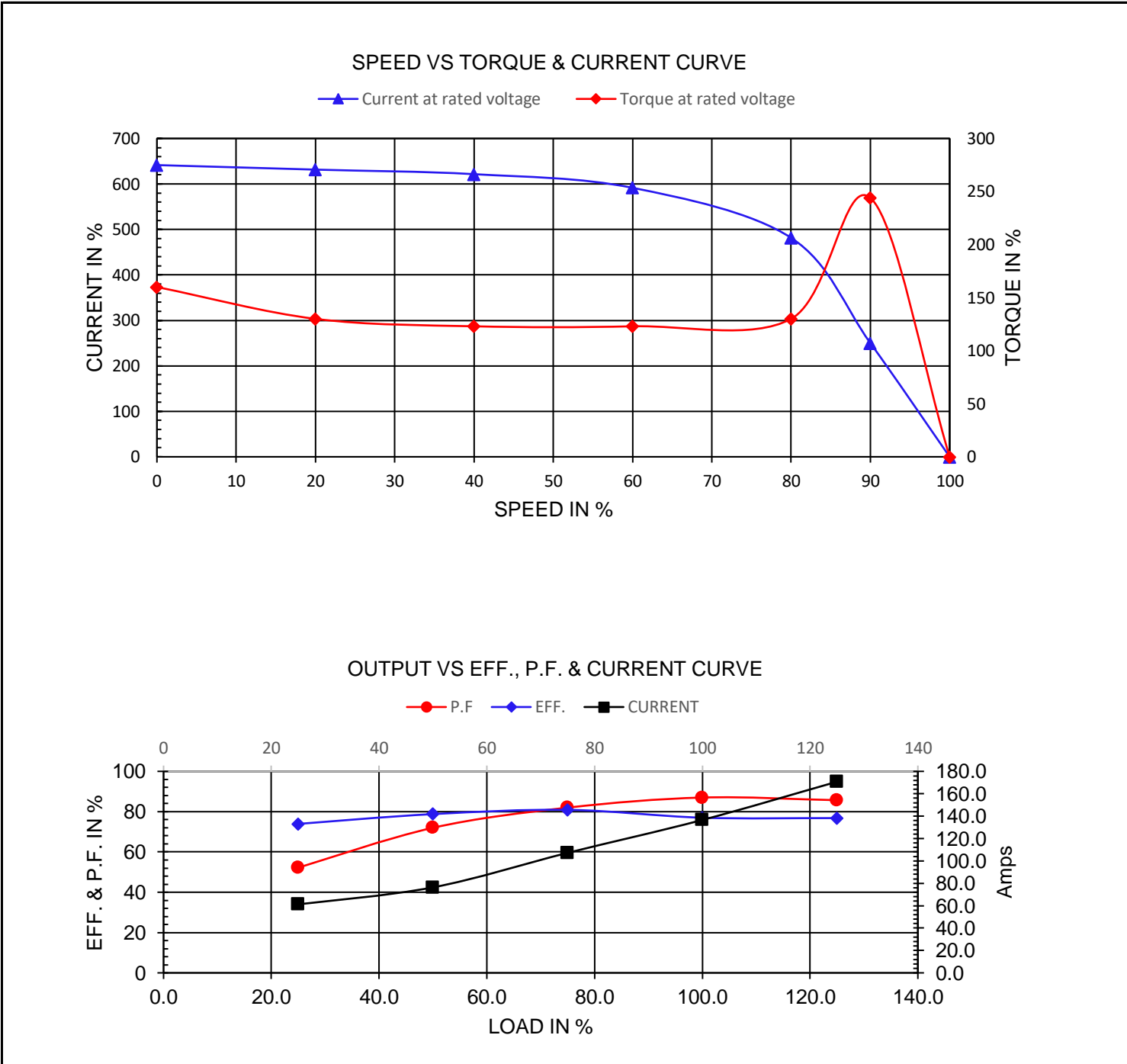


Premium Efficiency Motor:

LAM125-18-444TBB

Document Generated: 8-Sep-2023	Customer:
Document ID:	

Motor Type	AEH3		FL Speed	1785	
Output Rating (HP)	125		LRT (%FLT)	160	
Full Load Torque	356.5 lb.ft		460 volt FLA	136.6	
Rotor Wk ²	32.119 lb-ft ²		230 volt FLA	273.2	
			BDT (%FLT)	244	



NAMEPLATE / WIRING

Premium Efficiency Motor: **LAM125-18-444TBB**

WorldWide Electric Corporation

1 (800) 808-2131

Worldwideelectric.net



Document Generated: 8-Sep-2023
Document ID:

Customer:

SAMPLE NAMEPLATE DATA

		THREE PHASE SEVERE DUTY MOTOR I EEE45																									
Model :			Encl :	Type :	SN :			<table style="width: 100%; text-align: center;"> <tr> <td>7</td><td>8</td><td>9</td></tr> <tr> <td>6</td><td>4</td><td>5</td></tr> <tr> <td>12</td><td>10</td><td>11</td></tr> <tr> <td>1</td><td>2</td><td>3</td></tr> <tr> <td>L1</td><td>L2</td><td>L3</td></tr> <tr> <td colspan="3">230 V</td></tr> </table>		7	8	9	6	4	5	12	10	11	1	2	3	L1	L2	L3	230 V		
7	8	9																									
6	4	5																									
12	10	11																									
1	2	3																									
L1	L2	L3																									
230 V																											
HP :	Poles :	FR:	Ins:	Duty: Cont	IP :	Max Amb 40°C		<table style="width: 100%; text-align: center;"> <tr> <td>7</td><td>8</td><td>9</td></tr> <tr> <td>4</td><td>5</td><td>6</td></tr> <tr> <td>12</td><td>10</td><td>11</td></tr> <tr> <td>1</td><td>2</td><td>3</td></tr> <tr> <td>L1</td><td>L2</td><td>L3</td></tr> <tr> <td colspan="3">460 V</td></tr> </table>		7	8	9	4	5	6	12	10	11	1	2	3	L1	L2	L3	460 V		
7	8	9																									
4	5	6																									
12	10	11																									
1	2	3																									
L1	L2	L3																									
460 V																											
Hz :		CODE :		Hz :	HP :	Design :																					
Volts :		P.F :		Volts :		DE BRG :																					
Amps :		Eff :		Amps :		ODE BRG :																					
RPM :		S.F :		RPM :		WT :																					
				S.F :		Date :																					
CC306B		LOUIS ALLIS A WORLDWIDE ELECTRIC COMPANY						UL certified Class I, Division II, Groups A,B,C,D T3B																			

Model:	LAM125-18-444TBB	Encl:	TEFC	Type:	AEH3		
HP:	125	Poles	4	FR:	444/5T	IP:	55
Hz:	60	CODE:	F	Hz	50	HP:	125
Volts:	230/460	P.F:	0.87	Volts:	190/380	Design:	B
Amps:	273.2/136.6	Eff:	0.954	Amps	332.6/166.3	DE BRG:	6320 C3
RPM:	1785	S.F:	1.25	RPM	1475	ODE BRG:	6316 C3
				S.F:	1.00	WT:	1371.2 lbs.