

DATA SHEET

Premium Efficiency Motor: **LAM125-36-444TSC**

60 Hz

WorldWide Electric Corporation

1 (800) 808-2131

Worldwideelectric.net



Document Generated: 14-Sep-2023
Document ID:

Customer:

MOTOR INFORMATION	
HP	125
RPM	3600
Phase	3
Frequency	60 Hz
Voltage	230/460
Frame Size	444/5TSC
Enclosure	TEFC
Degree of Protection	IP55
Service Factor	1.25
Poles	2
Full Load Speed	3565
Insulation Class	F
Temp Rise	80°C
NEMA Code Letter	F
Duty Cycle	S1 / Continuous
Slip	0.97%
NEMA Design	B
Moment of Inertia	13.319 lb.ft.^2
Locked Rotor Time (Hot)	12 seconds
Sound Pressure Level	104 dB(A)
Number of Starts	2 Cold/1 Hot
Max Ambient Temperature	40°C
Max Elevation	1000 m.a.s.l (3300 f.a.s.l)
Mounting	F1
Rotation	Bi-Directional
Area of Classification	Class 1 Division 2 Groups A,B,C,D T3B
Inverter Rating	10:1 CT / 20:1 VT
Standard	NEMA MG-1
Approvals	UL, CE, IEEE45, ABS

EFFICIENCY/POWER FACTOR		
LOAD	EFF	P. F.
100%	95.0 %	0.91
75%	95.2 %	0.90
50%	92.8 %	0.86

TORQUE		
FULL LOAD	LRT	BDT
176.7 lb.ft.	275 %	315 %

AMPERAGE INFORMATION		
	230V	460V
Full Load Amps	257.6A	128.8
Locked Rotor Amps	1709.4A	854.7A
No Load Current	52A	26A
Usable at 208V		284.8 A

BEARING INFORMATION	
DE Bearing	6316 C3
ODE Bearing	6313 C3
Grease Type	Mobil Polyrex EM
DE Regreasing Interval	2400 Hours
ODE Regreasing Interval	3600 Hours
Grease Quantity	33g/23g

ADDITIONAL DATA	
F2 Suitable	Yes
Shaft Material	AISI 1045
Connection Diagram	12 Lead Delta
Approximate Weight	1407.6 lbs.

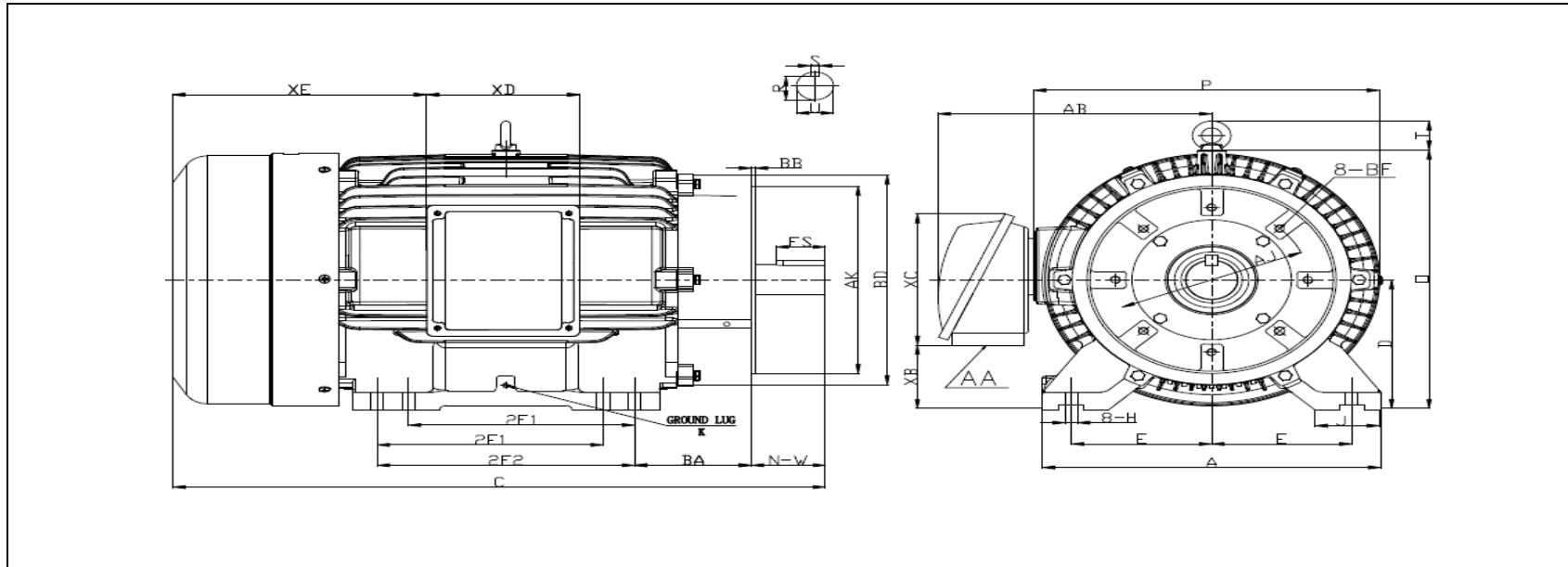
MOTOR DRAWING

Premium Efficiency Motor: **LAM125-36-444TSC**

WorldWide Electric Corporation

1 (800) 808-2131

Worldwideelectric.net



DIMENSION - INCHES

MOUNTING					A	B	C	D	G	P	O	T	AB
E	2F1	2F2	H	BA									
9	14.5	16.5	0.81	7.5	21.69	19.29	42.9	11	1.417	22.05	21.65	2.81	19.095

SHAFT & KEY				
S	ES	R	N-W	U
0.625	3.03	2.021	4.75	2.375

TERMINAL BOX				
AA	XB	XC	XD	XE
3 NPT	4.29	11.27	9.17	15.47

GROUND LUG
M8

FLANGE				
AK	BD	AJ	BF	BB
16	18	14	8*5/8-11	0.25

PERFORMANCE CURVES

WorldWide Electric Corporation

1 (800) 808-2131

Worldwideelectric.net



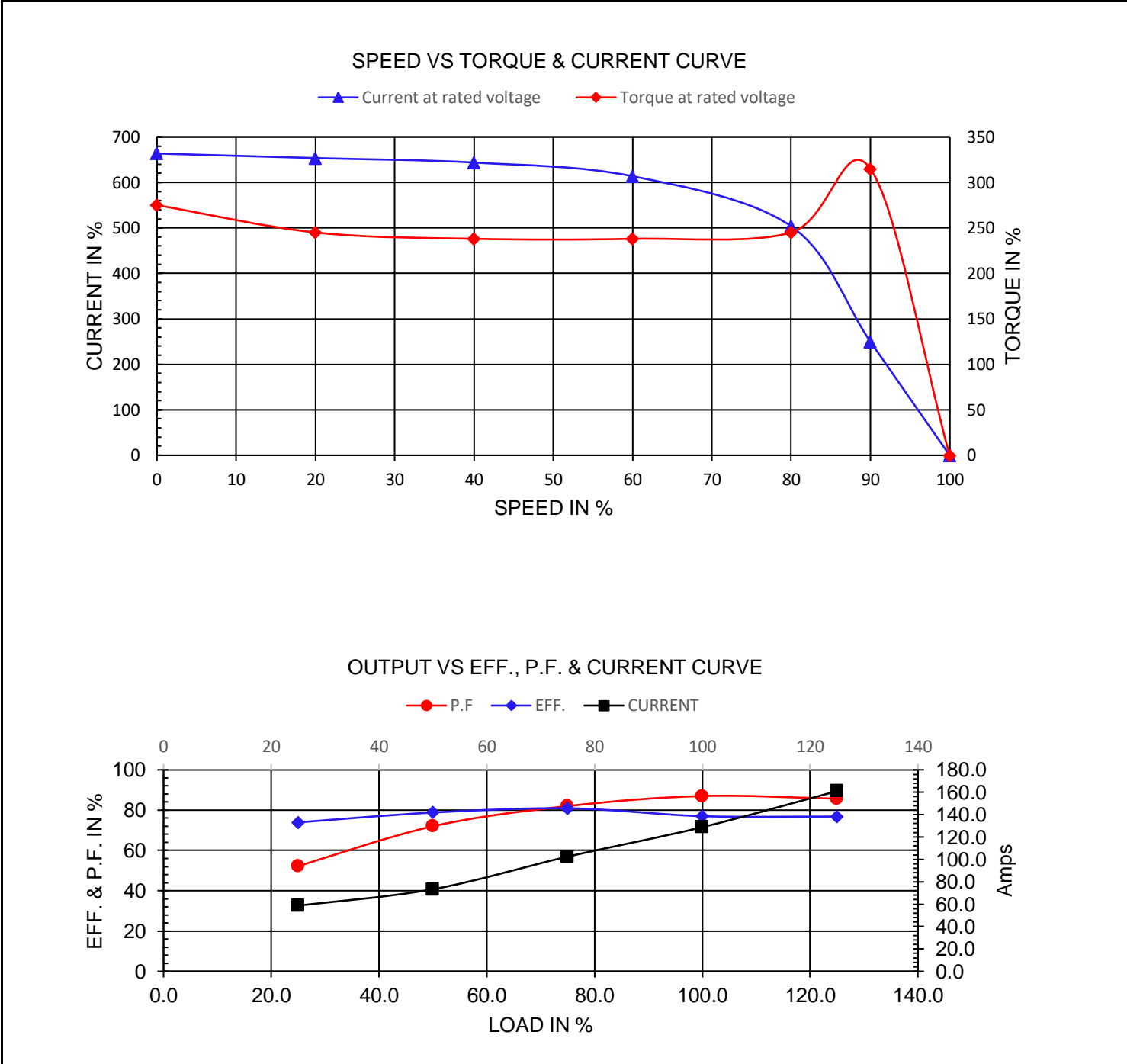
Premium Efficiency Motor:

LAM125-36-44TSC

Document Generated: 14-Sep-2023
Document ID:

Customer:

Motor Type	LAM		FL Speed	3565	
Output Rating (HP)	125		LRT (%FLT)	275	460 volt FLA 128.8
Full Load Torque	176.7	lb.ft	BDT (%FLT)	315	230 volt FLA 257.6A
Rotor Wk ²	13.319	lb-ft ²			



NAMEPLATE / WIRING

Premium Efficiency Motor: **LAM125-36-444TSC**

WorldWide Electric Corporation

1 (800) 808-2131

Worldwideelectric.net



Document Generated: 14-Sep-2023
Document ID:

Customer:

SAMPLE NAMEPLATE DATA

		THREE PHASE SEVERE DUTY MOTOR IEEE45																									
Model :		Encl :	Type :	SN :			<table style="width: 100%; text-align: center;"> <tr> <td>7</td><td>8</td><td>9</td></tr> <tr> <td>6</td><td>4</td><td>5</td></tr> <tr> <td>12</td><td>10</td><td>11</td></tr> <tr> <td>1</td><td>2</td><td>3</td></tr> <tr> <td>L1</td><td>L2</td><td>L3</td></tr> <tr> <td colspan="3">230 V</td></tr> </table>			7	8	9	6	4	5	12	10	11	1	2	3	L1	L2	L3	230 V		
7	8	9																									
6	4	5																									
12	10	11																									
1	2	3																									
L1	L2	L3																									
230 V																											
HP :	Poles :	FR:	Ins:	Duty: Cont	IP :	Max Amb 40°C	<table style="width: 100%; text-align: center;"> <tr> <td>7</td><td>8</td><td>9</td></tr> <tr> <td>4</td><td>5</td><td>6</td></tr> <tr> <td>12</td><td>10</td><td>11</td></tr> <tr> <td>1</td><td>2</td><td>3</td></tr> <tr> <td>L1</td><td>L2</td><td>L3</td></tr> <tr> <td colspan="3">460 V</td></tr> </table>			7	8	9	4	5	6	12	10	11	1	2	3	L1	L2	L3	460 V		
7	8	9																									
4	5	6																									
12	10	11																									
1	2	3																									
L1	L2	L3																									
460 V																											
Hz :	CODE :		Hz :	HP :	Design :																						
Volts :	P.F :		Volts :	DE BRG :																							
Amps :	Eff :		Amps :	ODE BRG :																							
RPM :	S.F :		RPM :	WT :																							
			S.F :	Date :																							
CC306B					LOUIS ALLIS A WORLDWIDE ELECTRIC COMPANY																						

Model:	LAM125-36-444TSC	Encl:	TEFC	Type:	AEH3	
HP:	125	Poles	2	FR:	444/5TSC	IP: 55
Hz:	60	CODE:	F	Hz	50	HP: 125
Volts:	230/460	P.F:	0.91	Volts:	190/380	Design: B
Amps:	259.2/129.6	Eff:	0.95	Amps	313.4/156.7	DE BRG: 6316 C3
RPM:	3565	S.F:	1.25	RPM	2955	ODE BRG: 6313 C3
				S.F:	1.00	WT: 1407.6 lbs.