

# DATA SHEET

Premium Efficiency Motor: **LAM15-12-284TC**

**60 Hz**

WorldWide Electric Corporation

1 (800) 808-2131

Worldwideelectric.net



Document Generated: 14-Sep-2023  
Document ID:

Customer:

MOTOR INFORMATION	
HP	15
RPM	1200
Phase	3
Frequency	60 Hz
Voltage	230/460
Frame Size	284/6TC
Enclosure	TEFC
Degree of Protection	IP55
Service Factor	1.25
Poles	6
Full Load Speed	1170
Insulation Class	F
Temp Rise	80°C
NEMA Code Letter	E
Duty Cycle	S1 / Continuous
Slip	2.50%
NEMA Design	B
Moment of Inertia	6.198 lb.ft.^2
Locked Rotor Time (Hot)	12 seconds
Sound Pressure Level	80 dB(A)
Number of Starts	2 Cold/1 Hot
Max Ambient Temperature	40°C
Max Elevation	1000 m.a.s.l (3300 f.a.s.l)
Mounting	F1
Rotation	Bi-Directional
Area of Classification	Class 1 Division 2 Groups A,B,C,D T3B
Inverter Rating	10:1 CT / 20:1 VT
Standard	NEMA MG-1
Approvals	UL, CE, IEEE45, ABS

EFFICIENCY/POWER FACTOR		
LOAD	EFF	P. F.
100%	91.7 %	0.83
75%	91.5 %	0.80
50%	91.0 %	0.72

TORQUE		
FULL LOAD	LRT	BDT
66.1 lb.ft.	211 %	214 %

AMPERAGE INFORMATION		
	230V	460V
Full Load Amps	36.8A	18.4
Locked Rotor Amps	170.6A	85.3A
No Load Current	12.6A	6.3A
Usable at 208V	40.7 A	

BEARING INFORMATION	
DE Bearing	6311 C3
ODE Bearing	6310 C3
Grease Type	Mobil Polyrex EM
DE Regreasing Interval	2400 Hours
ODE Regreasing Interval	3600 Hours
Grease Quantity	17g/15g

ADDITIONAL DATA	
F2 Suitable	Yes
Shaft Material	AISI 1045
Connection Diagram	12 Lead Delta
Approximate Weight	454.2 lbs.

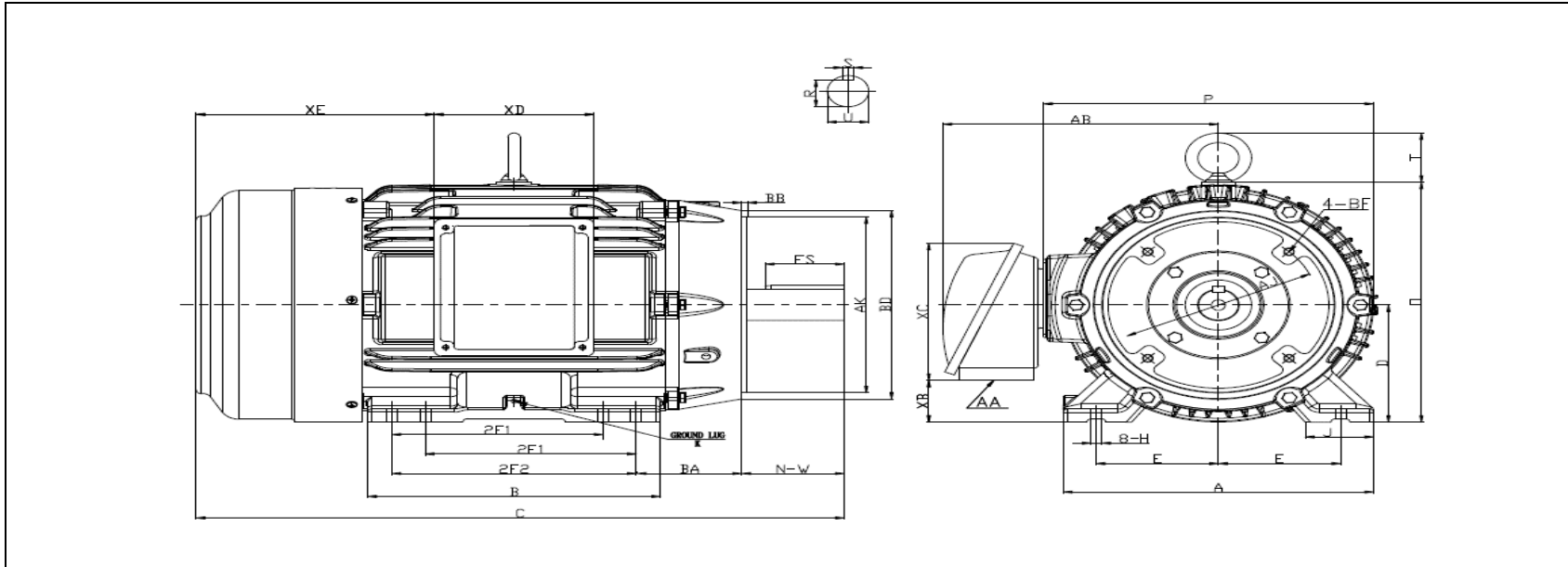
# MOTOR DRAWING

Premium Efficiency Motor: **LAM15-12-284TC**

WorldWide Electric Corporation

1 (800) 808-2131

Worldwideelectric.net



## DIMENSION - INCHES

MOUNTING					A	B	C	D	G	P	O	T	AB
E	2F1	2F2	H	BA									
5.5	9.5	11	0.53	4.75	13.97	13.18	29.1	7	0.7795	14.56	14.04	2.42	12.02

SHAFT & KEY				
S	ES	R	N-W	U
0.5	3.28	1.59	4.62	1.875

TERMINAL BOX				
AA	XB	XC	XD	XE
1-1/2 NPT	2.75	8.17	6.85	10.3

GROUND LUG
M8

FLANGE				
AK	BD	AJ	BF	BB
10.5	11.25	9	4*1/2-13	0.25

# PERFORMANCE CURVES

WorldWide Electric Corporation

1 (800) 808-2131

Worldwideelectric.net



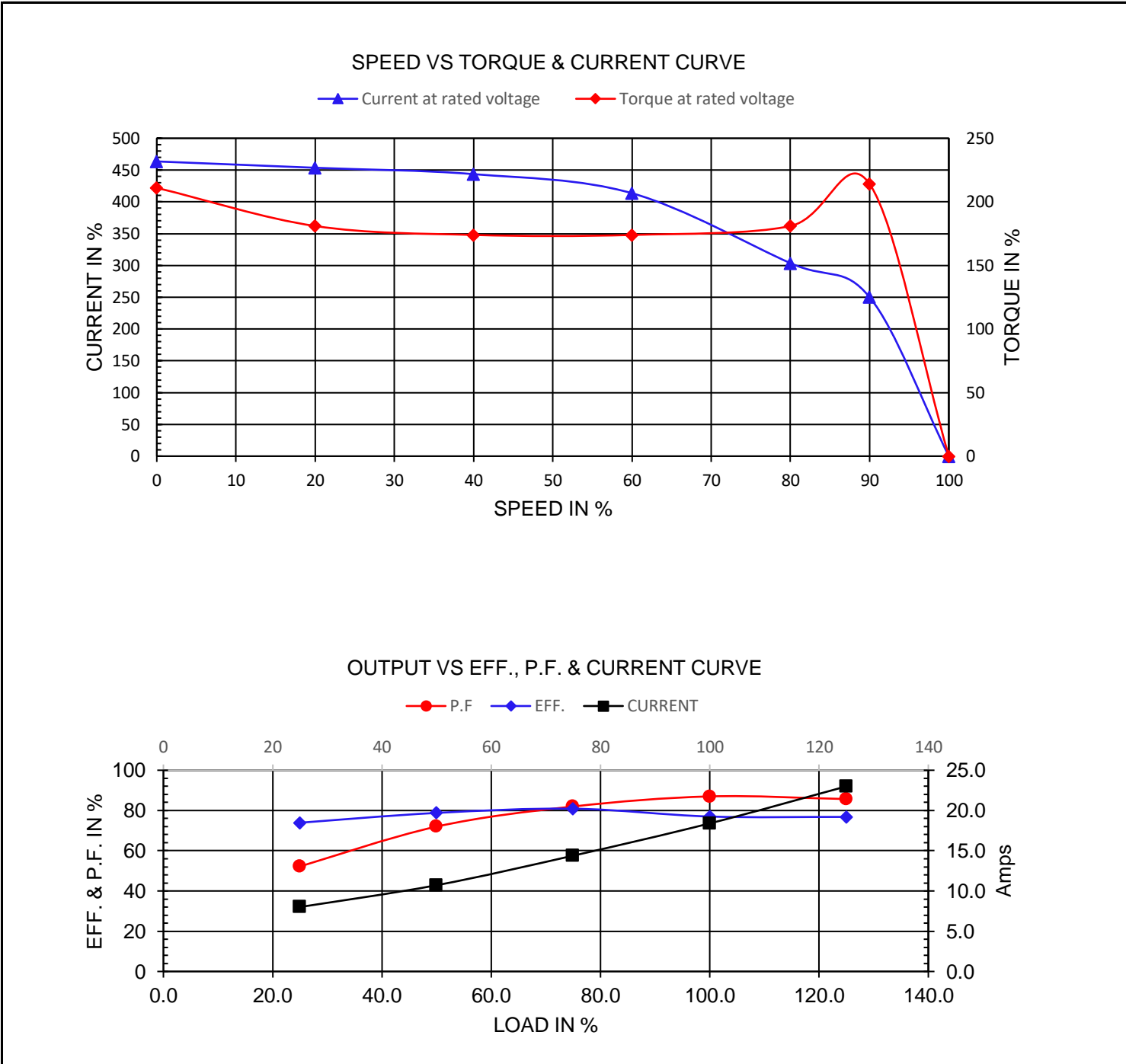
Premium Efficiency Motor:

**LAM15-12-284TC**

Document Generated: 14-Sep-2023  
Document ID:

Customer:

Motor Type	LAM		FL Speed	1170	
Output Rating (HP)	15		LRT (%FLT)	211	460 volt FLA 18.4
Full Load Torque	66.1	lb.ft	BDT (%FLT)	214	230 volt FLA 36.8A
Rotor Wk^2	6.198	lb-ft^2			



# NAMEPLATE / WIRING

Premium Efficiency Motor: **LAM15-12-284TC**

WorldWide Electric Corporation

1 (800) 808-2131

Worldwideelectric.net



Document Generated: 14-Sep-2023  
Document ID:

Customer:

## SAMPLE NAMEPLATE DATA

		<b>THREE PHASE SEVERE DUTY MOTOR IEEE45</b>																									
Model :		Encl :	Type :	SN :			<table style="width: 100%; text-align: center;"> <tr> <td>7</td><td>8</td><td>9</td></tr> <tr> <td>6</td><td>4</td><td>5</td></tr> <tr> <td>12</td><td>10</td><td>11</td></tr> <tr> <td>1</td><td>2</td><td>3</td></tr> <tr> <td>L1</td><td>L2</td><td>L3</td></tr> <tr> <td colspan="3">230 V</td></tr> </table>			7	8	9	6	4	5	12	10	11	1	2	3	L1	L2	L3	230 V		
7	8	9																									
6	4	5																									
12	10	11																									
1	2	3																									
L1	L2	L3																									
230 V																											
HP :	Poles :	FR:	Ins:	Duty: Cont	IP :	Max Amb 40°C	<table style="width: 100%; text-align: center;"> <tr> <td>7</td><td>8</td><td>9</td></tr> <tr> <td>4</td><td>5</td><td>6</td></tr> <tr> <td>12</td><td>10</td><td>11</td></tr> <tr> <td>1</td><td>2</td><td>3</td></tr> <tr> <td>L1</td><td>L2</td><td>L3</td></tr> <tr> <td colspan="3">460 V</td></tr> </table>			7	8	9	4	5	6	12	10	11	1	2	3	L1	L2	L3	460 V		
7	8	9																									
4	5	6																									
12	10	11																									
1	2	3																									
L1	L2	L3																									
460 V																											
Hz :	CODE :		Hz :	HP :	Design :		<p>UL certified Class I, Division II, Groups A,B,C,D T3B</p>																				
Volts :	P.F :		Volts :	DE BRG :																							
Amps :	Eff :		Amps :	ODE BRG :																							
RPM :	S.F :		RPM :	WT :																							
CC306B		<b>LOUIS ALLIS</b> A WORLDWIDE ELECTRIC COMPANY																									

<b>Model:</b>	LAM15-12-284TC	<b>Encl:</b>	TEFC	<b>Type:</b>	AEH3	
<b>HP:</b>	15	<b>Poles</b>	6	<b>FR:</b>	284/6TC	<b>Ins:</b> F
<b>Hz:</b>	60	<b>CODE:</b>	E	<b>Hz</b>	50	<b>HP:</b> 15
<b>Volts:</b>	230/460	<b>P.F:</b>	0.83	<b>Volts:</b>	190/380	<b>Design:</b> B
<b>Amps:</b>	36.8/18.4	<b>Eff:</b>	0.917	<b>Amps</b>	45.0/22.5	<b>DE BRG:</b> 6311 C3
<b>RPM:</b>	1170	<b>S.F:</b>	1.25	<b>RPM</b>	970	<b>ODE BRG:</b> 6310 C3
				<b>S.F:</b>	1.00	<b>WT:</b> 454.2 lbs.