

DATA SHEET

Premium Efficiency Motor: **LAM150-12-447TC**

60 Hz

WorldWide Electric Corporation

1 (800) 808-2131

Worldwideelectric.net



Document Generated: 14-Sep-2023
Document ID:

Customer:

MOTOR INFORMATION	
HP	150
RPM	1200
Phase	3
Frequency	60 Hz
Voltage	230/460
Frame Size	447/9TC
Enclosure	TEFC
Degree of Protection	IP55
Service Factor	1.25
Poles	6
Full Load Speed	1190
Insulation Class	F
Temp Rise	80°C
NEMA Code Letter	G
Duty Cycle	S1 / Continuous
Slip	0.83%
NEMA Design	B
Moment of Inertia	71.963 lb.ft.^2
Locked Rotor Time (Hot)	12 seconds
Sound Pressure Level	98 dB(A)
Number of Starts	2 Cold/1 Hot
Max Ambient Temperature	40°C
Max Elevation	1000 m.a.s.l (3300 f.a.s.l)
Mounting	F1
Rotation	Bi-Directional
Area of Classification	Class 1 Division 2 Groups A,B,C,D T3B
Inverter Rating	10:1 CT / 20:1 VT
Standard	NEMA MG-1
Approvals	UL, CE, IEEE45, ABS

EFFICIENCY/POWER FACTOR		
LOAD	EFF	P. F.
100%	95.8 %	0.86
75%	96.2 %	0.84
50%	96.4 %	0.78

TORQUE		
FULL LOAD	LRT	BDT
654.7 lb.ft.	219 %	279 %

AMPERAGE INFORMATION		
	230V	460V
Full Load Amps	335.6A	167.8
Locked Rotor Amps	2360A	1180A
No Load Current	90.2A	45.1A
Usable at 208V		376.6 A

BEARING INFORMATION	
DE Bearing	6320 C3
ODE Bearing	6316 C3
Grease Type	Mobil Polyrex EM
DE Regreasing Interval	2400 Hours
ODE Regreasing Interval	3600 Hours
Grease Quantity	51g/33g

ADDITIONAL DATA	
F2 Suitable	Yes
Shaft Material	AISI 1045
Connection Diagram	12 Lead Delta
Approximate Weight	1968.7 lbs.

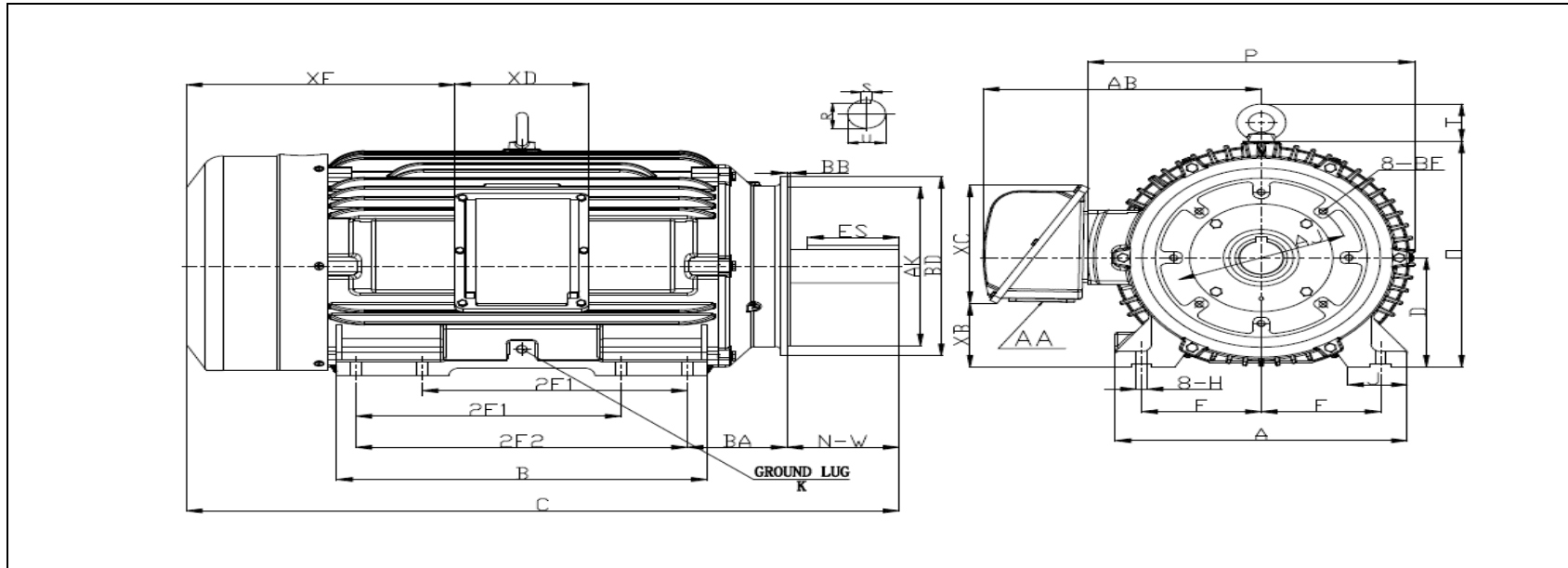
MOTOR DRAWING

Premium Efficiency Motor: **LAM150-12-447TC**

WorldWide Electric Corporation

1 (800) 808-2131

Worldwideelectric.net



DIMENSION - INCHES

MOUNTING					A	B	C	D	G	P	O	T	AB
E	2F1	2F2	H	BA									
9	20	25	0.81	7.5	22	29	54.4	11	1.417	25.8	23.8	4.06	23.4

SHAFT & KEY				
S	ES	R	N-W	U
0.875	6.91	2.88	8.5	3.375

TERMINAL BOX				
AA	XB	XC	XD	XE
3 NPT	4.13	16.2	11.6	19.2

GROUND LUG
M12

FLANGE				
AK	BD	AJ	BF	BB
16	18	14	8*5/8-11	0.25

PERFORMANCE CURVES

WorldWide Electric Corporation

1 (800) 808-2131

Worldwideelectric.net

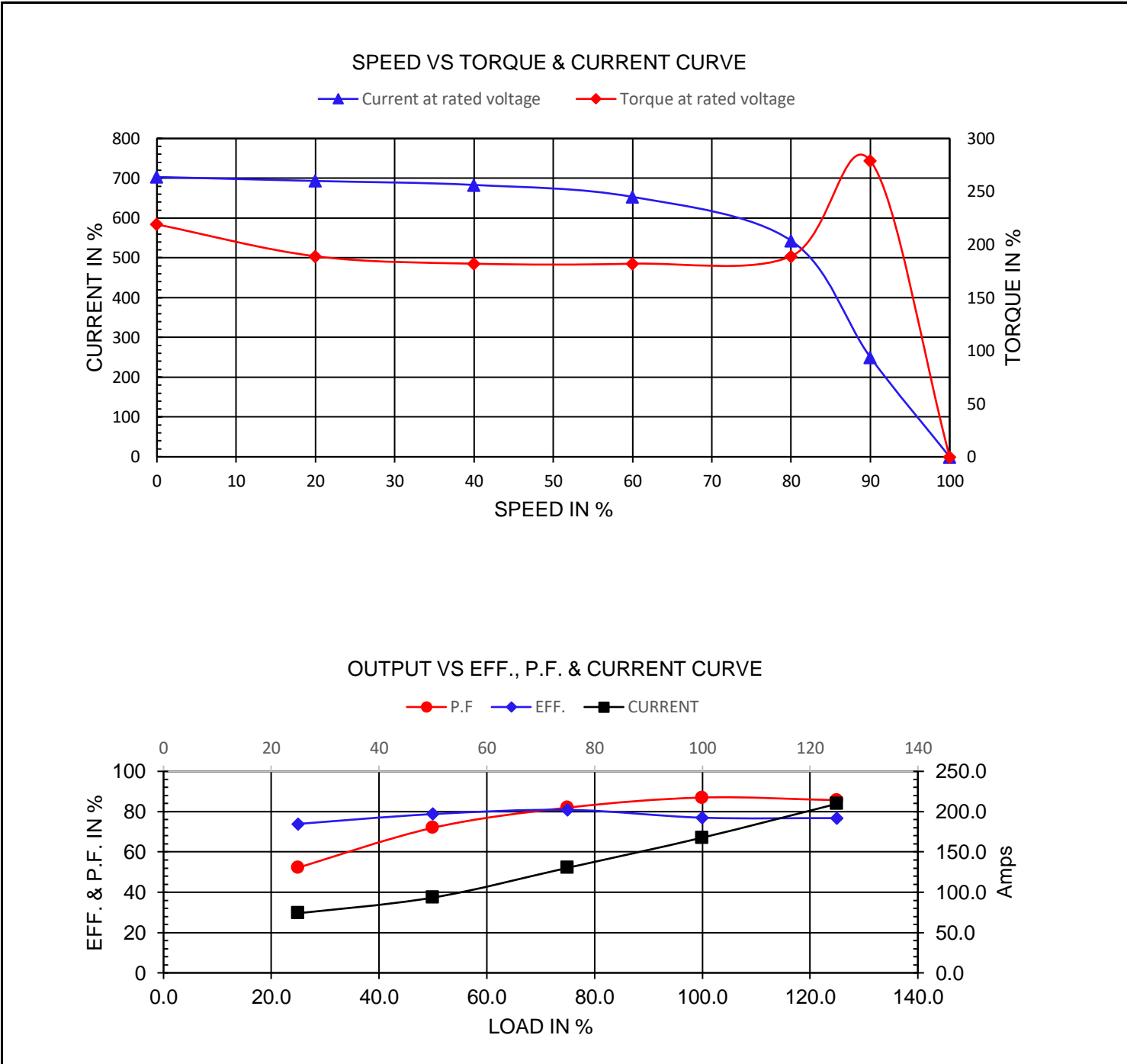


Premium Efficiency Motor:

LAM150-12-447TC

Document Generated: 14-Sep-2023	Customer:
Document ID:	

Motor Type	LAM		FL Speed	1190	
Output Rating (HP)	150		LRT (%FLT)	219	
Full Load Torque	654.7 lb.ft		460 volt FLA	167.8	
Rotor Wk^2	71.963 lb-ft^2		230 volt FLA	335.6A	
			BDT (%FLT)	279	



NAMEPLATE / WIRING

Premium Efficiency Motor: **LAM150-12-447TC**

WorldWide Electric Corporation

1 (800) 808-2131

Worldwideelectric.net



Document Generated: 14-Sep-2023
Document ID:

Customer:

SAMPLE NAMEPLATE DATA

		THREE PHASE SEVERE DUTY MOTOR IEEE45																									
Model :		Encl :	Type :	SN :				<table border="0"> <tr><td>7</td><td>8</td><td>9</td></tr> <tr><td>6</td><td>4</td><td>5</td></tr> <tr><td>12</td><td>10</td><td>11</td></tr> <tr><td>1</td><td>2</td><td>3</td></tr> <tr><td>L1</td><td>L2</td><td>L3</td></tr> <tr><td colspan="3" style="text-align: center;">230 V</td></tr> </table>		7	8	9	6	4	5	12	10	11	1	2	3	L1	L2	L3	230 V		
7	8	9																									
6	4	5																									
12	10	11																									
1	2	3																									
L1	L2	L3																									
230 V																											
HP :	Poles :	FR:	Ins:	Duty: Cont	IP :	Max Amb 40°C		<table border="0"> <tr><td>7</td><td>8</td><td>9</td></tr> <tr><td>4</td><td>5</td><td>6</td></tr> <tr><td>12</td><td>10</td><td>11</td></tr> <tr><td>1</td><td>2</td><td>3</td></tr> <tr><td>L1</td><td>L2</td><td>L3</td></tr> <tr><td colspan="3" style="text-align: center;">460 V</td></tr> </table>		7	8	9	4	5	6	12	10	11	1	2	3	L1	L2	L3	460 V		
7	8	9																									
4	5	6																									
12	10	11																									
1	2	3																									
L1	L2	L3																									
460 V																											
Hz :	CODE :		Hz :	HP :	Design :																						
Volts :	P.F :		Volts :	DE BRG :																							
Amps :	Eff :		Amps :	ODE BRG :																							
RPM :	S.F :		RPM :	WT :																							
			S.F :	Date :																							
CC306B					LOUIS ALLIS A WORLDWIDE ELECTRIC COMPANY				UL certified Class I, Division II, Groups A,B,C,D T3B																		

Model:	LAM150-12-447TC	Encl:	TEFC	Type:	AEH3				
HP:	150	Poles	6	FR:	447/9TC	Ins:	F	IP:	55
Hz:	60	CODE:	G	Hz	50	HP:	150	Design:	B
Volts:	230/460	P.F:	0.86	Volts:	190/380				
Amps:	335.6/167.8	Eff:	0.958	Amps	405.2/202.6				
RPM:	1190	S.F:	1.25	RPM	980				
			S.F:	1.00					
							WT:		1968.7 lbs.