

# DATA SHEET

Premium Efficiency Motor: **LAM150-18-445TBB**

**60 Hz**

WorldWide Electric Corporation

1 (800) 808-2131

Worldwideelectric.net



Document Generated: 8-Sep-2023  
Document ID:

Customer:

MOTOR INFORMATION	
HP	150
RPM	1800
Phase	3
Frequency	60 Hz
Voltage	230/460
Frame Size	444/5T
Enclosure	TEFC
Degree of Protection	IP55
Service Factor	1.25
Poles	4
Full Load Speed	1785
Insulation Class	F
Temp Rise	80°C
NEMA Code Letter	G
Duty Cycle	S1 / Continuous
Slip	0.83%
NEMA Design	B
Moment of Inertia	38.207 lb.ft.^2
Locked Rotor Time (Hot)	12 seconds
Sound Pressure Level	100 dB(A)
Number of Starts	2 Cold/1 Hot
Max Ambient Temperature	40°C
Max Elevation	1000 m.a.s.l (3300 f.a.s.l)
Mounting	Rigid
Rotation	Bi-Directional
Area of Classification	Class 1 Division 2 Groups A,B,C,D T3B
Inverter Rating	10:1 CT / 20:1 VT
Standard	NEMA MG-1
Approvals	UL, CE, IEEE45, ABS

EFFICIENCY/POWER FACTOR		
LOAD	EFF	P. F.
100%	95.8 %	0.88
75%	95.5 %	0.87
50%	95.0 %	0.83

TORQUE		
FULL LOAD	LRT	BDT
434.2 lb.ft.	139 %	249 %

AMPERAGE INFORMATION		
	230V	460V
Full Load Amps	327.4A	163.7A
Locked Rotor Amps	2284A	1142A
No Load Current	72.2A	36.1A
Usable at 208V		362 A

BEARING INFORMATION	
DE Bearing	6320 C3
ODE Bearing	6316 C3
Grease Type	Mobil Polyrex EM
DE Regreasing Interval	2400 Hours
ODE Regreasing Interval	3600 Hours
Grease Quantity	51g/33g

ADDITIONAL DATA	
F2 Suitable	Yes
Shaft Material	AISI 1045
Connection Diagram	12 Lead Delta
Approximate Weight	1410 lbs.

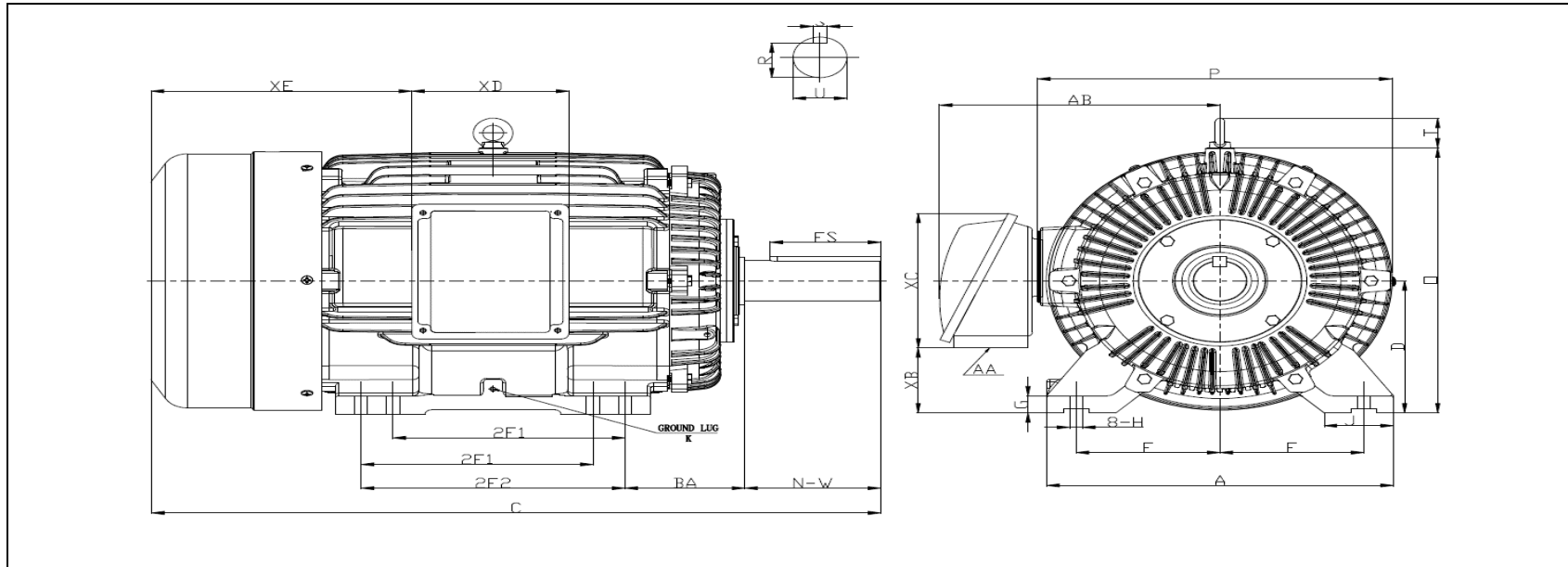
# MOTOR DRAWING

Premium Efficiency Motor: **LAM150-18-445TBB**

WorldWide Electric Corporation

1 (800) 808-2131

Worldwideelectric.net



## DIMENSION - INCHES

MOUNTING					A	B	C	D	G	J	P	O	T	AB
E	2F1	2F2	H	BA										
9	14.5	16.5	0.81	7.5	21.69	19.29	46.65	11	1.417	4.33	22.05	21.65	2.81	19.095

SHAFT & KEY				
S	ES	R	N-W	U
0.875	6.91	2.88	8.5	3.375

TERMINAL BOX				
AA	XB	XC	XD	XE
3 NPT	4.29	11.27	9.17	15.47

GROUND LUG
M8

# PERFORMANCE CURVES

Premium Efficiency Motor:

**LAM150-18-445TBB**

WorldWide Electric Corporation

1 (800) 808-2131

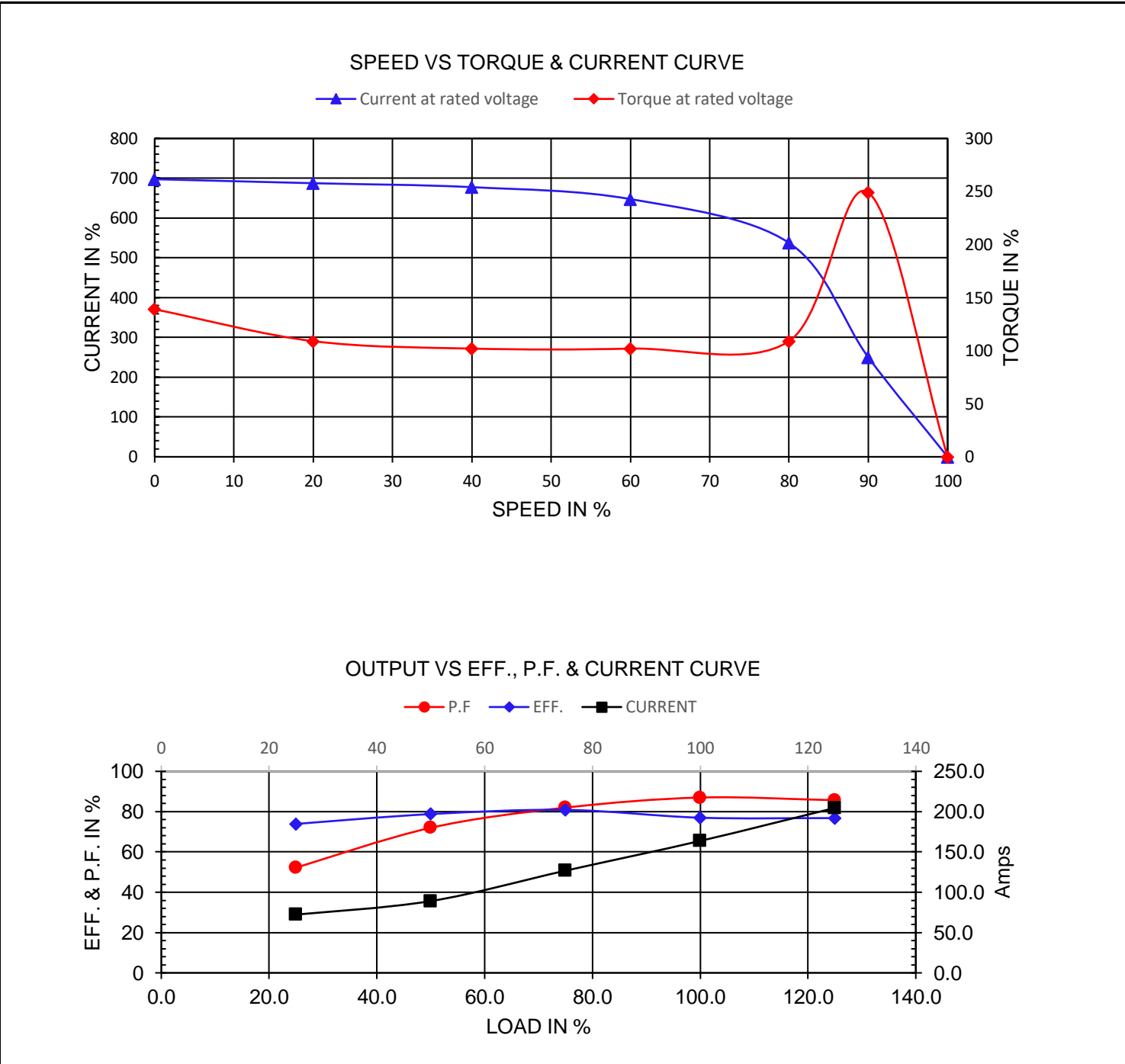
Worldwideelectric.net



Document Generated: 8-Sep-2023  
Document ID:

Customer:

Motor Type	AEH3		FL Speed	1785	
Output Rating (HP)	150		LRT (%FLT)	139	460 volt FLA 163.7
Full Load Torque	434.2 lb.ft		BDT (%FLT)	249	230 volt FLA 327.4
Rotor Wk <sup>2</sup>	38.207 lb-ft <sup>2</sup>				



# NAMEPLATE / WIRING

Premium Efficiency Motor: **LAM150-18-445TBB**

WorldWide Electric Corporation

1 (800) 808-2131

Worldwideelectric.net



Document Generated: 8-Sep-2023  
Document ID:

Customer:

## SAMPLE NAMEPLATE DATA

		<b>THREE PHASE SEVERE DUTY MOTOR I EEE45</b>																									
Model :		Encl :		Type :		SN :		<table style="width: 100%; border-collapse: collapse;"> <tr> <td style="text-align: center;">7</td> <td style="text-align: center;">8</td> <td style="text-align: center;">9</td> </tr> <tr> <td style="text-align: center;">6</td> <td style="text-align: center;">4</td> <td style="text-align: center;">5</td> </tr> <tr> <td style="text-align: center;">12</td> <td style="text-align: center;">10</td> <td style="text-align: center;">11</td> </tr> <tr> <td style="text-align: center;">1</td> <td style="text-align: center;">2</td> <td style="text-align: center;">3</td> </tr> <tr> <td style="text-align: center;">L1</td> <td style="text-align: center;">L2</td> <td style="text-align: center;">L3</td> </tr> <tr> <td colspan="3" style="text-align: center;">230 V</td> </tr> </table>		7	8	9	6	4	5	12	10	11	1	2	3	L1	L2	L3	230 V		
7	8	9																									
6	4	5																									
12	10	11																									
1	2	3																									
L1	L2	L3																									
230 V																											
HP :	Poles :	FR:	Ins:	Duty: Cont	IP :	Max Amb 40°C		<table style="width: 100%; border-collapse: collapse;"> <tr> <td style="text-align: center;">7</td> <td style="text-align: center;">8</td> <td style="text-align: center;">9</td> </tr> <tr> <td style="text-align: center;">4</td> <td style="text-align: center;">5</td> <td style="text-align: center;">6</td> </tr> <tr> <td style="text-align: center;">12</td> <td style="text-align: center;">10</td> <td style="text-align: center;">11</td> </tr> <tr> <td style="text-align: center;">1</td> <td style="text-align: center;">2</td> <td style="text-align: center;">3</td> </tr> <tr> <td style="text-align: center;">L1</td> <td style="text-align: center;">L2</td> <td style="text-align: center;">L3</td> </tr> <tr> <td colspan="3" style="text-align: center;">460 V</td> </tr> </table>		7	8	9	4	5	6	12	10	11	1	2	3	L1	L2	L3	460 V		
7	8	9																									
4	5	6																									
12	10	11																									
1	2	3																									
L1	L2	L3																									
460 V																											
Hz :	CODE :		Hz :	HP :	Design :		<p>UL certified Class I, Division II, Groups A,B,C,D T3B</p>																				
Volts :	P.F :		Volts :	DE BRG :																							
Amps :	Eff :		Amps :	ODE BRG :																							
RPM :	S.F :		RPM :	WT :																							
CC306B				LOUIS ALLIS A WORLDWIDE ELECTRIC COMPANY																							

<b>Model:</b>	LAM150-18-445TBB	<b>Encl:</b>	TEFC	<b>Type:</b>	AEH3		
<b>HP:</b>	150	<b>Poles</b>	4	<b>FR:</b>	444/5T	<b>IP:</b>	55
<b>Hz:</b>	60	<b>CODE:</b>	G	<b>Hz</b>	50	<b>HP:</b>	150
<b>Volts:</b>	230/460	<b>P.F:</b>	0.88	<b>Volts:</b>	190/380	<b>Design:</b>	B
<b>Amps:</b>	327.4/163.7	<b>Eff:</b>	0.958	<b>Amps</b>	393.0/196.5	<b>DE BRG:</b>	6320 C3
<b>RPM:</b>	1785	<b>S.F:</b>	1.25	<b>RPM</b>	1475	<b>ODE BRG:</b>	6316 C3
				<b>S.F:</b>	1.00	<b>WT:</b>	1410 lbs.