

DATA SHEET

Premium Efficiency Motor: **LAM150-18-445TCRD**

60 Hz

WorldWide Electric Corporation

1 (800) 808-2131

Worldwideelectric.net



Document Generated: 14-Sep-2023

Document ID:

Customer:

MOTOR INFORMATION

HP	150
RPM	1800
Phase	3
Frequency	60 Hz
Voltage	230/460
Frame Size	444/5TC
Enclosure	TEFC
Degree of Protection	IP55
Service Factor	1.25
Poles	4
Full Load Speed	1785
Insulation Class	F
Temp Rise	80°C
NEMA Code Letter	G
Duty Cycle	S1 / Continuous
Slip	0.83%
NEMA Design	B
Moment of Inertia	38.207 lb.ft.^2
Locked Rotor Time (Hot)	12 seconds
Sound Pressure Level	100 dB(A)
Number of Starts	2 Cold/1 Hot
Max Ambient Temperature	40°C
Max Elevation	1000 m.a.s.l (3300 f.a.s.l)
Mounting	F1
Rotation	Bi-Directional
Area of Classification	Class 1 Division 2 Groups A,B,C,D T3B
Inverter Rating	10:1 CT / 20:1 VT
Standard	NEMA MG-1
Approvals	UL, CE, IEEE45, ABS

EFFICIENCY/POWER FACTOR

LOAD	EFF	P. F.
100%	95.8 %	0.88
75%	95.5 %	0.87
50%	95.0 %	0.83

TORQUE

FULL LOAD	LRT	BDT
434.2 lb.ft.	139 %	249 %

AMPERAGE INFORMATION

	230V	460V
Full Load Amps	327.4A	163.7
Locked Rotor Amps	2284A	1142A
No Load Current	72.2A	36.1A
Usable at 208V		362 A

BEARING INFORMATION

DE Bearing	6320 C3
ODE Bearing	6316 C3
Grease Type	Mobil Polyrex EM
DE Regreasing Interval	2400 Hours
ODE Regreasing Interval	3600 Hours
Grease Quantity	51g/33g

ADDITIONAL DATA

F2 Suitable	Yes
Shaft Material	AISI 1045
Connection Diagram	12 Lead Delta
Approximate Weight	1486 lbs.

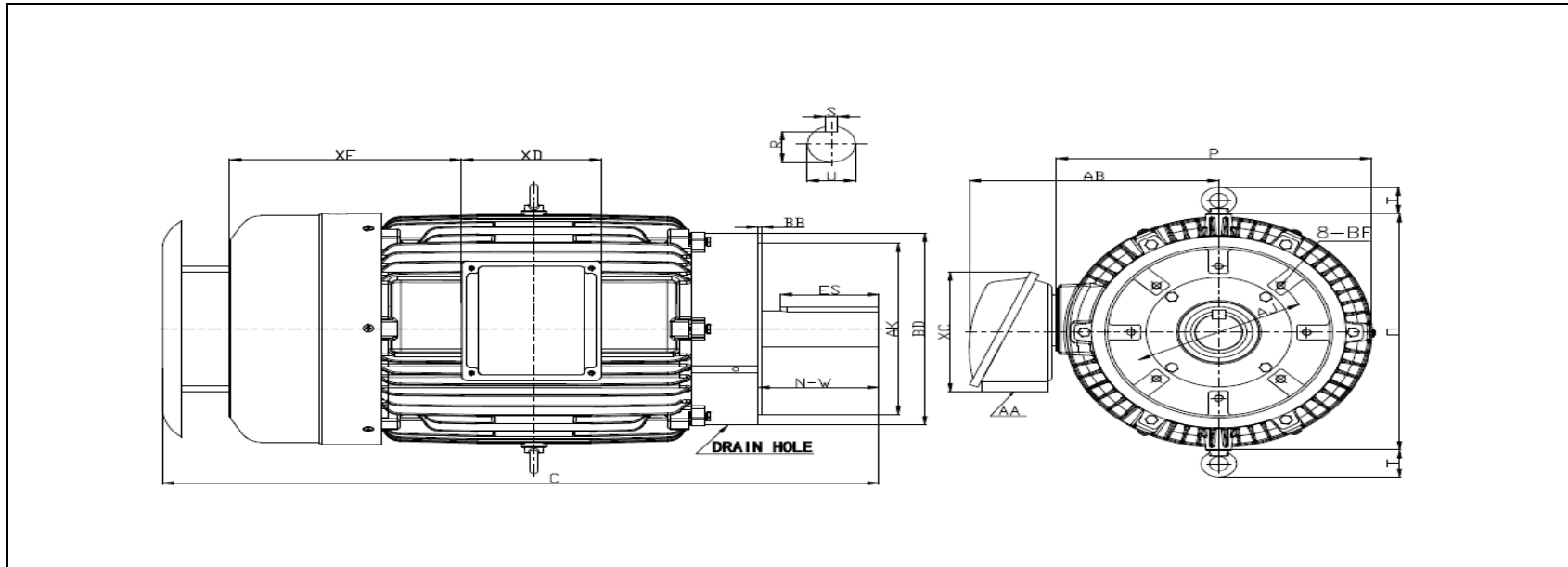
MOTOR DRAWING

Premium Efficiency Motor: **LAM150-18-445TCRD**

WorldWide Electric Corporation

1 (800) 808-2131

Worldwideelectric.net



DIMENSION - INCHES

FLANGE MOUNTING					C	P	O	T	AB
AK	BD	AJ	BF	BB					
16	18	14	8*5/8-11	0.25	51.4	22.05	21.65	2.81	19.095

SHAFT & KEY				
S	ES	R	N-W	U
0.875	6.91	2.88	8.5	3.375

TERMINAL BOX			
AA	XC	XD	XE
3 NPT	11.27	9.17	15.47

PERFORMANCE CURVES

Premium Efficiency Motor:

LAM150-18-445TCRD

WorldWide Electric Corporation

1 (800) 808-2131

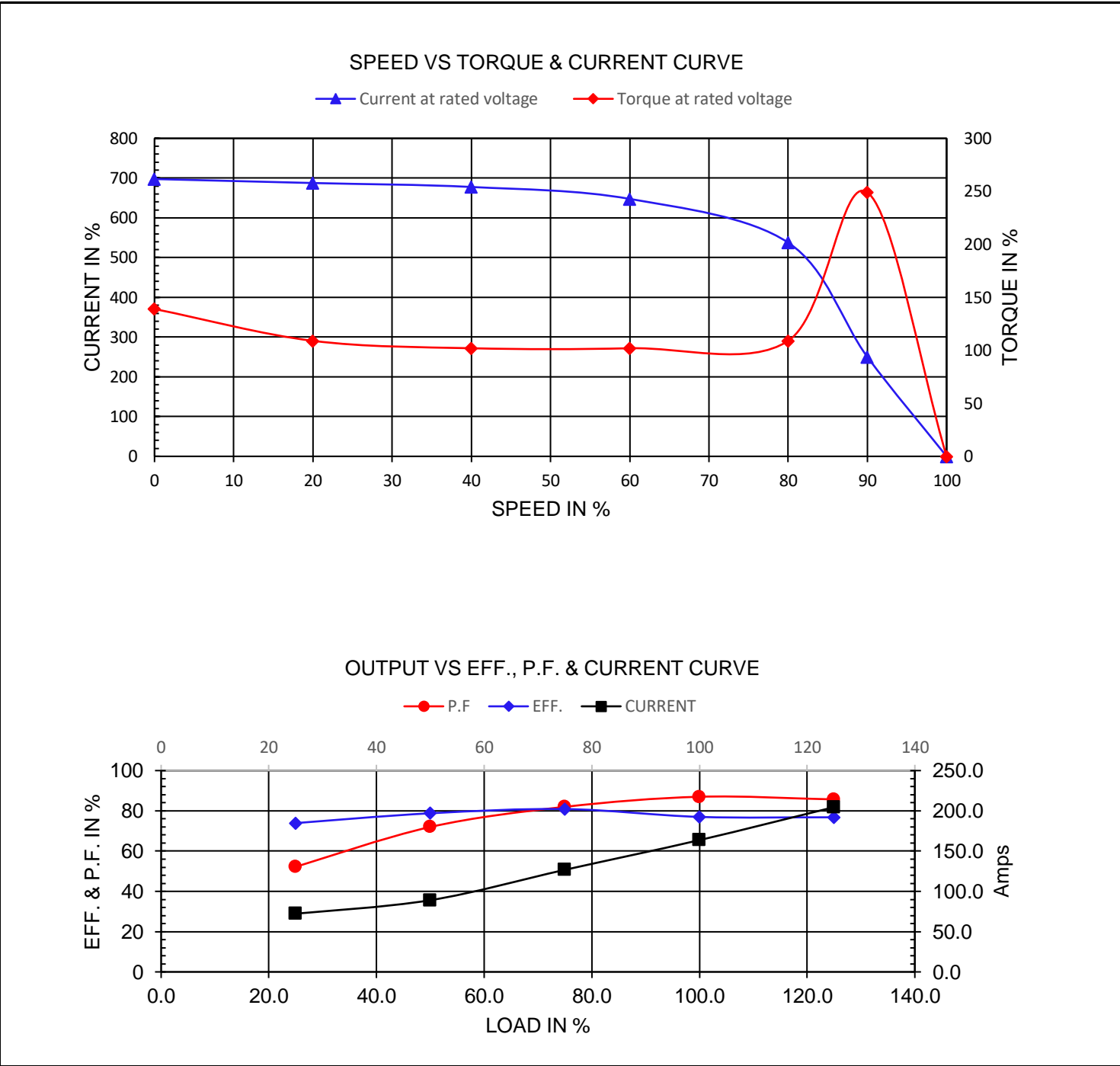
Worldwideelectric.net



Document Generated: 14-Sep-2023
Document ID:

Customer:

Motor Type	LAM		FL Speed	1785	
Output Rating (HP)	150		LRT (%FLT)	139	460 volt FLA 163.7
Full Load Torque	434.2 lb.ft		BDT (%FLT)	249	230 volt FLA 327.4A
Rotor Wk ²	38.207 lb-ft ²				



NAMEPLATE / WIRING

Premium Efficiency Motor: **LAM150-18-445TCRD**

WorldWide Electric Corporation

1 (800) 808-2131

Worldwideelectric.net



Document Generated: 14-Sep-2023
Document ID:

Customer:

SAMPLE NAMEPLATE DATA

		THREE PHASE SEVERE DUTY MOTOR IEEE45																									
Model :		Encl :	Type :	SN :			<table style="width: 100%; border-collapse: collapse;"> <tr> <td style="text-align: center;">7</td> <td style="text-align: center;">8</td> <td style="text-align: center;">9</td> </tr> <tr> <td style="text-align: center;">6</td> <td style="text-align: center;">4</td> <td style="text-align: center;">5</td> </tr> <tr> <td style="text-align: center;">12</td> <td style="text-align: center;">10</td> <td style="text-align: center;">11</td> </tr> <tr> <td style="text-align: center;">1</td> <td style="text-align: center;">2</td> <td style="text-align: center;">3</td> </tr> <tr> <td style="text-align: center;">L1</td> <td style="text-align: center;">L2</td> <td style="text-align: center;">L3</td> </tr> <tr> <td colspan="3" style="text-align: center;">230 V</td> </tr> </table>			7	8	9	6	4	5	12	10	11	1	2	3	L1	L2	L3	230 V		
7	8	9																									
6	4	5																									
12	10	11																									
1	2	3																									
L1	L2	L3																									
230 V																											
HP :	Poles :	FR:	Ins:	Duty: Cont	IP :	Max Amb 40°C																					
Hz :		CODE :	Hz :	HP :	Design :																						
Volts :		P.F :	Volts :		DE BRG :																						
Amps :		Eff :	Amps :		ODE BRG :																						
RPM :		S.F :	RPM :		WT :																						
			S.F :		Date :																						
CC306B		LOUIS ALLIS A WORLDWIDE ELECTRIC COMPANY					UL certified Class I, Division II, Groups A,B,C,D T3B																				

Model:	LAM150-18-445TCRD	Encl:	TEFC	Type:	AEH3				
HP:	150	Poles	4	FR:	444/5TC	Ins:	F	IP:	55
Hz:	60	CODE:	G	Hz	50	HP:	150	Design:	B
Volts:	230/460	P.F:	0.88	Volts:	190/380				
Amps:	327.4/163.7	Eff:	0.958	Amps	393.0/196.5				
RPM:	1785	S.F:	1.25	RPM	1475				
				S.F:	1.00				
						WT:	1486 lbs.		