

DATA SHEET

Premium Efficiency Motor: **LAM150-36-445TS**

60 Hz

WorldWide Electric Corporation

1 (800) 808-2131

Worldwideelectric.net



Document Generated: 8-Sep-2023
Document ID:

Customer:

MOTOR INFORMATION	
HP	150
RPM	3600
Phase	3
Frequency	60 Hz
Voltage	230/460
Frame Size	444/5TS
Enclosure	TEFC
Degree of Protection	IP55
Service Factor	1.25
Poles	2
Full Load Speed	3580
Insulation Class	F
Temp Rise	80°C
NEMA Code Letter	F
Duty Cycle	S1 / Continuous
Slip	0.56%
NEMA Design	B
Moment of Inertia	15.428 lb.ft.^2
Locked Rotor Time (Hot)	12 seconds
Sound Pressure Level	104 dB(A)
Number of Starts	2 Cold/1 Hot
Max Ambient Temperature	40°C
Max Elevation	1000 m.a.s.l (3300 f.a.s.l)
Mounting	Rigid
Rotation	Bi-Directional
Area of Classification	Class 1 Division 2 Groups A,B,C,D T3B
Inverter Rating	10:1 CT / 20:1 VT
Standard	NEMA MG-1
Approvals	UL, CE, IEEE45, ABS

EFFICIENCY/POWER FACTOR		
LOAD	EFF	P. F.
100%	95.0 %	0.9
75%	95.3 %	0.87
50%	94.3 %	0.81

TORQUE		
FULL LOAD	LRT	BDT
220 lb.ft.	186 %	247 %

AMPERAGE INFORMATION		
	230V	460V
Full Load Amps	322.4A	161.2A
Locked Rotor Amps	1896.4A	948.2A
No Load Current	62.2A	31.1A
Usable at 208V		356.5 A

BEARING INFORMATION	
DE Bearing	6320 C3
ODE Bearing	6316 C3
Grease Type	Mobil Polyrex EM
DE Regreasing Interval	2400 Hours
ODE Regreasing Interval	3600 Hours
Grease Quantity	51g/33g

ADDITIONAL DATA	
F2 Suitable	Yes
Shaft Material	AISI 1045
Connection Diagram	12 Lead Delta
Approximate Weight	1466.1 lbs.

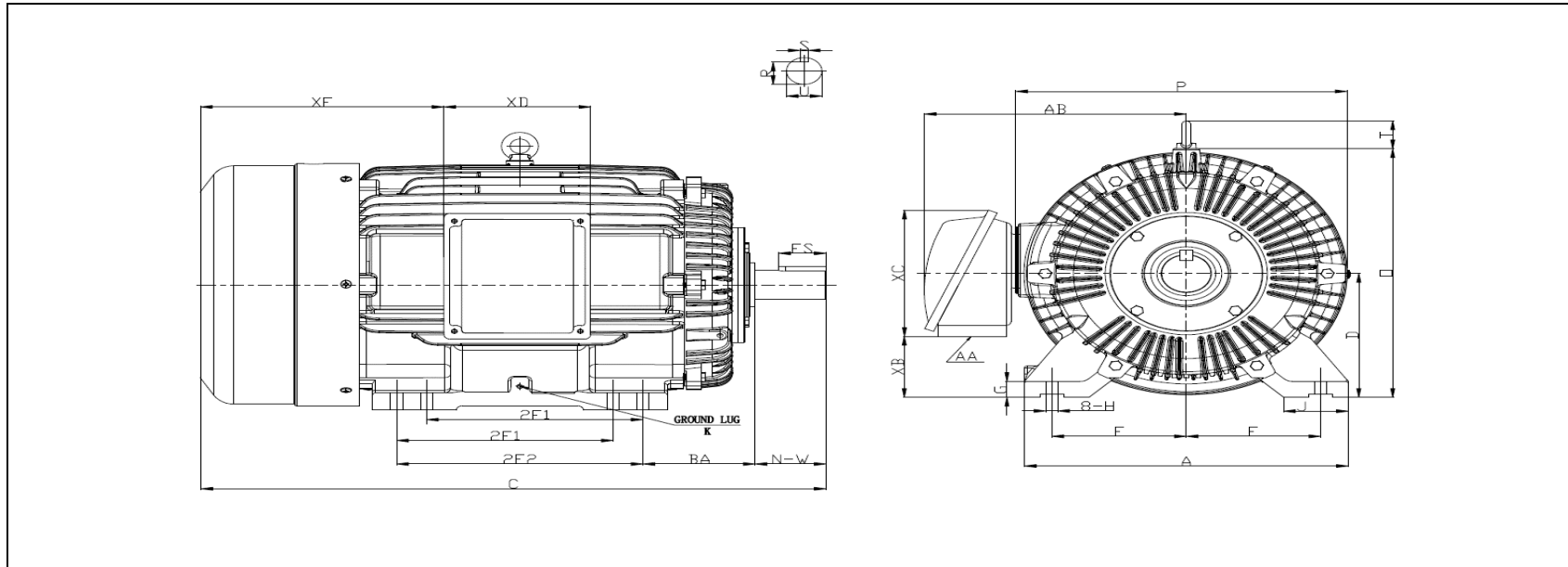
MOTOR DRAWING

Premium Efficiency Motor: **LAM150-36-445TS**

WorldWide Electric Corporation

1 (800) 808-2131

Worldwideelectric.net



DIMENSION - INCHES

MOUNTING					A	B	C	D	G	J	P	O	T	AB
E	2F1	2F2	H	BA										
9	14.5	16.5	0.81	7.5	21.69	19.29	42.9	11	1.417	4.33	22.05	21.65	2.81	19.095

SHAFT & KEY				
S	ES	R	N-W	U
0.625	3.03	2.021	4.75	2.375

TERMINAL BOX				
AA	XB	XC	XD	XE
3 NPT	4.29	11.27	9.17	15.47

GROUND LUG
M8

PERFORMANCE CURVES

WorldWide Electric Corporation

1 (800) 808-2131

Worldwideelectric.net

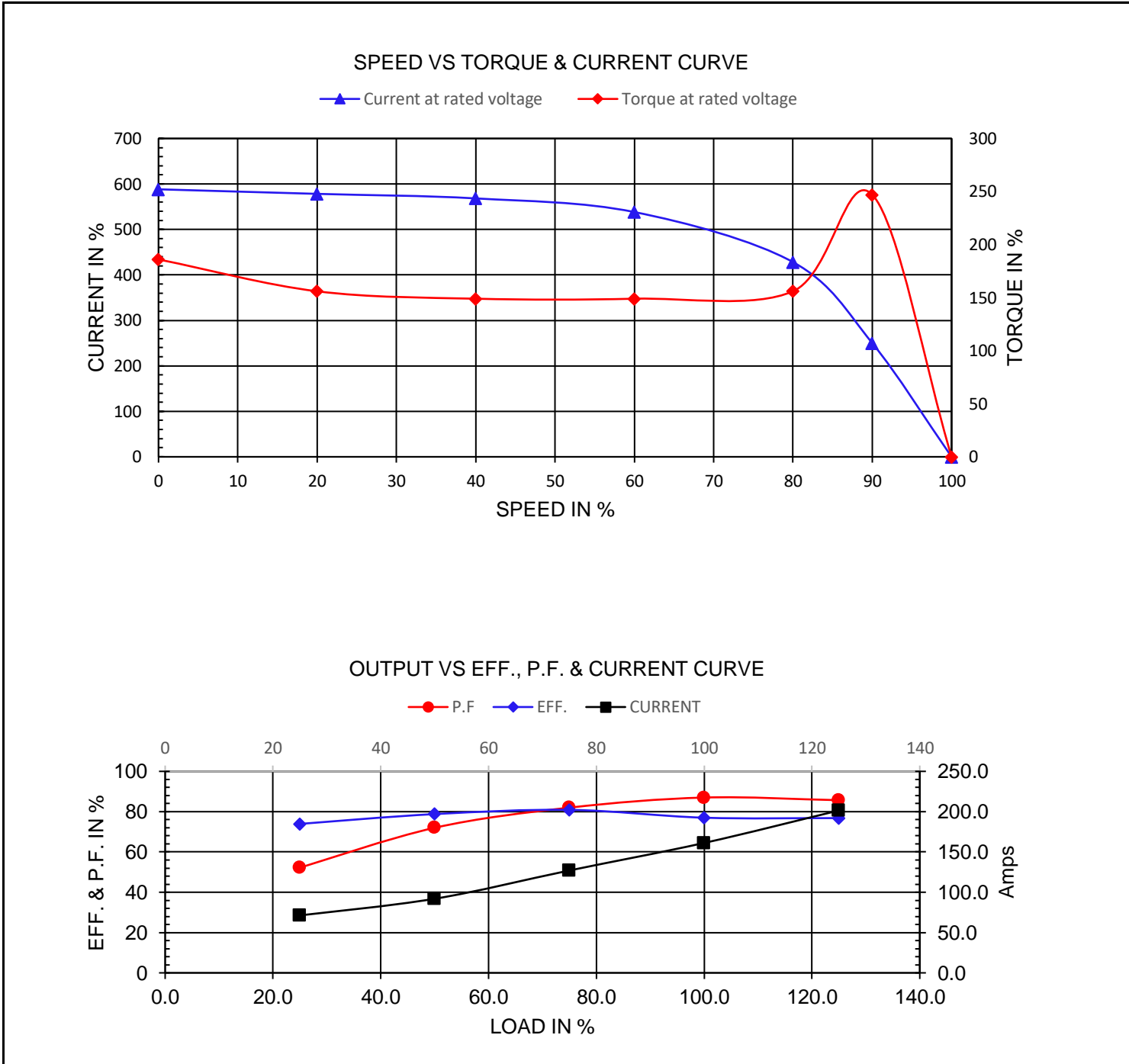


Premium Efficiency Motor:

LAM150-36-445TS

Document Generated: 8-Sep-2023	Customer:
Document ID:	

Motor Type	AEH3		FL Speed	3580	
Output Rating (HP)	150		LRT (%FLT)	186	460 volt FLA 161.2
Full Load Torque	220 lb.ft		BDT (%FLT)	247	230 volt FLA 322.4
Rotor Wk ²	15.428 lb-ft ²				



NAMEPLATE / WIRING

Premium Efficiency Motor: **LAM150-36-445TS**

WorldWide Electric Corporation

1 (800) 808-2131

Worldwideelectric.net



Document Generated: 8-Sep-2023
Document ID:

Customer:

SAMPLE NAMEPLATE DATA

		THREE PHASE SEVERE DUTY MOTOR I EEE45																									
Model :		Encl :		Type :		SN :		<table style="width: 100%; border-collapse: collapse;"> <tr> <td style="text-align: center;">7</td> <td style="text-align: center;">8</td> <td style="text-align: center;">9</td> </tr> <tr> <td style="text-align: center;">6</td> <td style="text-align: center;">4</td> <td style="text-align: center;">5</td> </tr> <tr> <td style="text-align: center;">12</td> <td style="text-align: center;">10</td> <td style="text-align: center;">11</td> </tr> <tr> <td style="text-align: center;">1</td> <td style="text-align: center;">2</td> <td style="text-align: center;">3</td> </tr> <tr> <td style="text-align: center;">L1</td> <td style="text-align: center;">L2</td> <td style="text-align: center;">L3</td> </tr> <tr> <td colspan="3" style="text-align: center;">230 V</td> </tr> </table>		7	8	9	6	4	5	12	10	11	1	2	3	L1	L2	L3	230 V		
7	8	9																									
6	4	5																									
12	10	11																									
1	2	3																									
L1	L2	L3																									
230 V																											
HP :	Poles :	FR:	Ins:	Duty: Cont	IP :	Max Amb 40°C		<table style="width: 100%; border-collapse: collapse;"> <tr> <td style="text-align: center;">7</td> <td style="text-align: center;">8</td> <td style="text-align: center;">9</td> </tr> <tr> <td style="text-align: center;">4</td> <td style="text-align: center;">5</td> <td style="text-align: center;">6</td> </tr> <tr> <td style="text-align: center;">12</td> <td style="text-align: center;">10</td> <td style="text-align: center;">11</td> </tr> <tr> <td style="text-align: center;">1</td> <td style="text-align: center;">2</td> <td style="text-align: center;">3</td> </tr> <tr> <td style="text-align: center;">L1</td> <td style="text-align: center;">L2</td> <td style="text-align: center;">L3</td> </tr> <tr> <td colspan="3" style="text-align: center;">460 V</td> </tr> </table>		7	8	9	4	5	6	12	10	11	1	2	3	L1	L2	L3	460 V		
7	8	9																									
4	5	6																									
12	10	11																									
1	2	3																									
L1	L2	L3																									
460 V																											
Hz :	CODE :		Hz :	HP :	Design :		<p>UL certified Class I, Division II, Groups A,B,C,D T3B</p>																				
Volts :	P.F :		Volts :	DE BRG :																							
Amps :	Eff :		Amps :	ODE BRG :																							
RPM :	S.F :		RPM :	WT :																							
CC306B				LOUIS ALLIS A WORLDWIDE ELECTRIC COMPANY																							

Model:	LAM150-36-445TS	Encl:	TEFC	Type:	AEH3		
HP:	150	Poles	2	FR:	444/5TS	IP:	55
Hz:	60	CODE:	F	Hz	50	HP:	150
Volts:	230/460	P.F:	0.9	Volts:	190/380	Design:	B
Amps:	322.4/161.2	Eff:	0.95	Amps	387.0/193.5	DE BRG:	6320 C3
RPM:	3580	S.F:	1.25	RPM	2970	ODE BRG:	6316 C3
				S.F:	1.00	WT:	1466.1 lbs.