

DATA SHEET

Premium Efficiency Motor: **LAM150-36-445TSC**

60 Hz

WorldWide Electric Corporation

1 (800) 808-2131

Worldwideelectric.net



Document Generated: 14-Sep-2023
Document ID:

Customer:

MOTOR INFORMATION	
HP	150
RPM	3600
Phase	3
Frequency	60 Hz
Voltage	230/460
Frame Size	444/5TSC
Enclosure	TEFC
Degree of Protection	IP55
Service Factor	1.25
Poles	2
Full Load Speed	3580
Insulation Class	F
Temp Rise	80°C
NEMA Code Letter	F
Duty Cycle	S1 / Continuous
Slip	0.56%
NEMA Design	B
Moment of Inertia	15.428 lb.ft.^2
Locked Rotor Time (Hot)	12 seconds
Sound Pressure Level	104 dB(A)
Number of Starts	2 Cold/1 Hot
Max Ambient Temperature	40°C
Max Elevation	1000 m.a.s.l (3300 f.a.s.l)
Mounting	F1
Rotation	Bi-Directional
Area of Classification	Class 1 Division 2 Groups A,B,C,D T3B
Inverter Rating	10:1 CT / 20:1 VT
Standard	NEMA MG-1
Approvals	UL, CE, IEEE45, ABS

EFFICIENCY/POWER FACTOR		
LOAD	EFF	P. F.
100%	95.0 %	0.9
75%	95.3 %	0.87
50%	94.3 %	0.81

TORQUE		
FULL LOAD	LRT	BDT
220 lb.ft.	186 %	247 %

AMPERAGE INFORMATION		
	230V	460V
Full Load Amps	322.4A	161.2
Locked Rotor Amps	1896.4A	948.2A
No Load Current	62.2A	31.1A
Usable at 208V		356.5 A

BEARING INFORMATION	
DE Bearing	6320 C3
ODE Bearing	6316 C3
Grease Type	Mobil Polyrex EM
DE Regreasing Interval	2400 Hours
ODE Regreasing Interval	3600 Hours
Grease Quantity	51g/33g

ADDITIONAL DATA	
F2 Suitable	Yes
Shaft Material	AISI 1045
Connection Diagram	12 Lead Delta
Approximate Weight	1466.1 lbs.

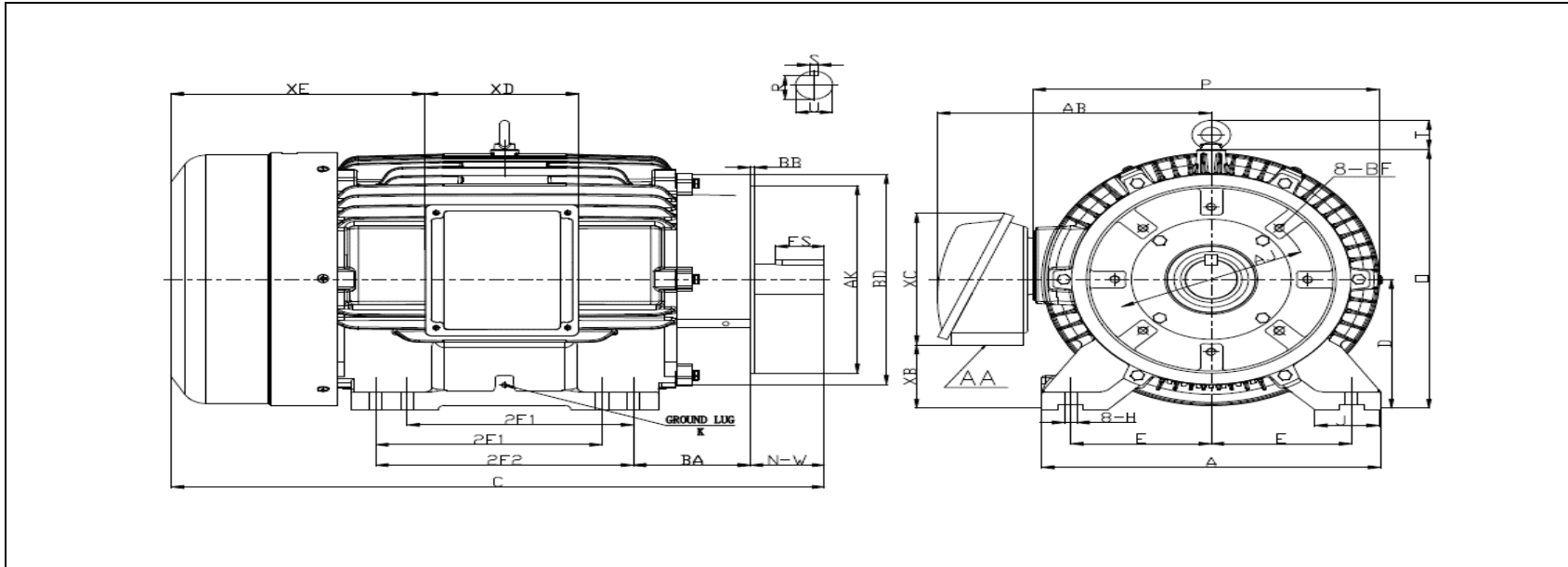
MOTOR DRAWING

Premium Efficiency Motor: **LAM150-36-445TSC**

WorldWide Electric Corporation

1 (800) 808-2131

Worldwideelectric.net



DIMENSION - INCHES

MOUNTING					A	B	C	D	G	P	O	T	AB
E	2F1	2F2	H	BA									
9	14.5	16.5	0.81	7.5	21.69	19.29	42.9	11	1.417	22.05	21.65	2.81	19.095

SHAFT & KEY				
S	ES	R	N-W	U
0.625	3.03	2.021	4.75	2.375

TERMINAL BOX				
AA	XB	XC	XD	XE
3 NPT	4.29	11.27	9.17	15.47

GROUND LUG
M8

FLANGE				
AK	BD	AJ	BF	BB
16	18	14	8*5/8-11	0.25

PERFORMANCE CURVES

WorldWide Electric Corporation

1 (800) 808-2131

Worldwideelectric.net



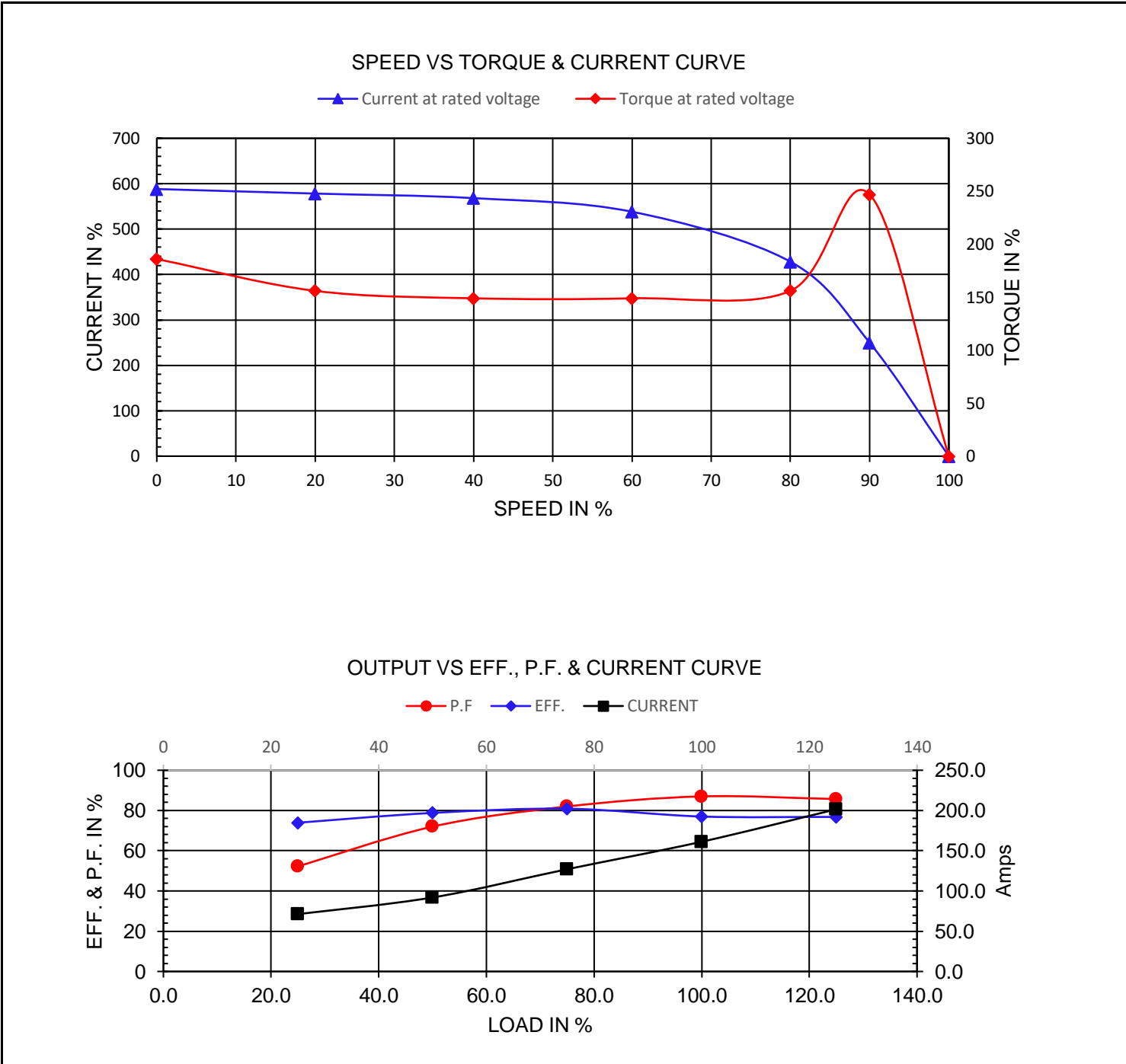
Premium Efficiency Motor:

LAM150-36-445TSC

Document Generated: 14-Sep-2023
Document ID:

Customer:

Motor Type	LAM		FL Speed	3580	
Output Rating (HP)	150		LRT (%FLT)	186	460 volt FLA 161.2
Full Load Torque	220 lb.ft		BDT (%FLT)	247	230 volt FLA 322.4A
Rotor Wk ²	15.428 lb-ft ²				



NAMEPLATE / WIRING

Premium Efficiency Motor: **LAM150-36-445TSC**

WorldWide Electric Corporation

1 (800) 808-2131

Worldwideelectric.net



Document Generated: 14-Sep-2023
Document ID:

Customer:

SAMPLE NAMEPLATE DATA

		THREE PHASE SEVERE DUTY MOTOR IEEE45								
Model :		Encl :	Type :	SN :		7	8	9		
HP :	Poles :	FR:	Ins:	Duty: Cont	IP :	Max Amb 40°C	6	4	5	
Hz :	CODE :		Hz :	HP :	Design :			12	10	11
Volts :	P.F :		Volts :	DE BRG :			1	2	3	L1 L2 L3
Amps :	Eff :		Amps :	ODE BRG :			7	8	9	230 V
RPM :	S.F :		RPM :	WT :			4	5	6	
			S.F :	Date :			12	10	11	
							1	2	3	L1 L2 L3
							7	8	9	460 V
CC306B				LOUIS ALLIS						UL certified Class I, Division II, Groups A,B,C,D T3B
				A WORLDWIDE ELECTRIC COMPANY						

Model:	LAM150-36-445TSC	Encl:	TEFC	Type:	AEH3						
HP:	150	Poles	2	FR:	444/5TSC	Ins:	F	IP:	55		
Hz:	60	CODE:	F	Hz	50	HP:	150	Design:	B		
Volts:	230/460	P.F:	0.9	Volts:	190/380			DE BRG:	6320 C3		
Amps:	322.4/161.2	Eff:	0.95	Amps	387.0/193.5			ODE BRG:	6316 C3		
RPM:	3580	S.F:	1.25	RPM	2970			WT:	1466.1 lbs.		
				S.F:	1.00						