

DATA SHEET

Premium Efficiency Motor: **LAM2-18-145TCRD**

60 Hz

WorldWide Electric Corporation

1 (800) 808-2131

Worldwideelectric.net



Document Generated: 14-Sep-2023
Document ID:

Customer:

MOTOR INFORMATION	
HP	2
RPM	1800
Phase	3
Frequency	60 Hz
Voltage	230/460
Frame Size	143/5TC
Enclosure	TEFC
Degree of Protection	IP55
Service Factor	1.25
Poles	4
Full Load Speed	1730
Insulation Class	F
Temp Rise	80°C
NEMA Code Letter	L
Duty Cycle	S1 / Continuous
Slip	3.89%
NEMA Design	B
Moment of Inertia	0.101122630331754 lb.ft.^2
Locked Rotor Time (Hot)	12 seconds
Sound Pressure Level	70 dB(A)
Number of Starts	2 Cold/1 Hot
Max Ambient Temperature	40°C
Max Elevation	1000 m.a.s.l (3300 f.a.s.l)
Mounting	F1
Rotation	Bi-Directional
Area of Classification	Class 1 Division 2 Groups A,B,C,D T3B
Inverter Rating	10:1 CT / 20:1 VT
Standard	NEMA MG-1
Approvals	UL, CE, IEEE45, ABS

EFFICIENCY/POWER FACTOR		
LOAD	EFF	P. F.
100%	86.5 %	0.8
75%	87.5 %	0.73
50%	86.4 %	0.6

TORQUE		
FULL LOAD	LRT	BDT
6 lb.ft.	395 %	471 %

AMPERAGE INFORMATION		
	230V	460V
Full Load Amps	5.4A	2.7
Locked Rotor Amps	45.6A	22.8A
No Load Current	2.8A	1.4A
Usable at 208V		6 A

BEARING INFORMATION	
DE Bearing	6205 ZZ
ODE Bearing	6204 ZZ
Grease Type	NSK SN7
DE Regreasing Interval	-- Hours
ODE Regreasing Interval	-- Hours
Grease Quantity	--

ADDITIONAL DATA	
F2 Suitable	Yes
Shaft Material	AISI 1045
Connection Diagram	9 Lead Wye
Approximate Weight	58.4 lbs.

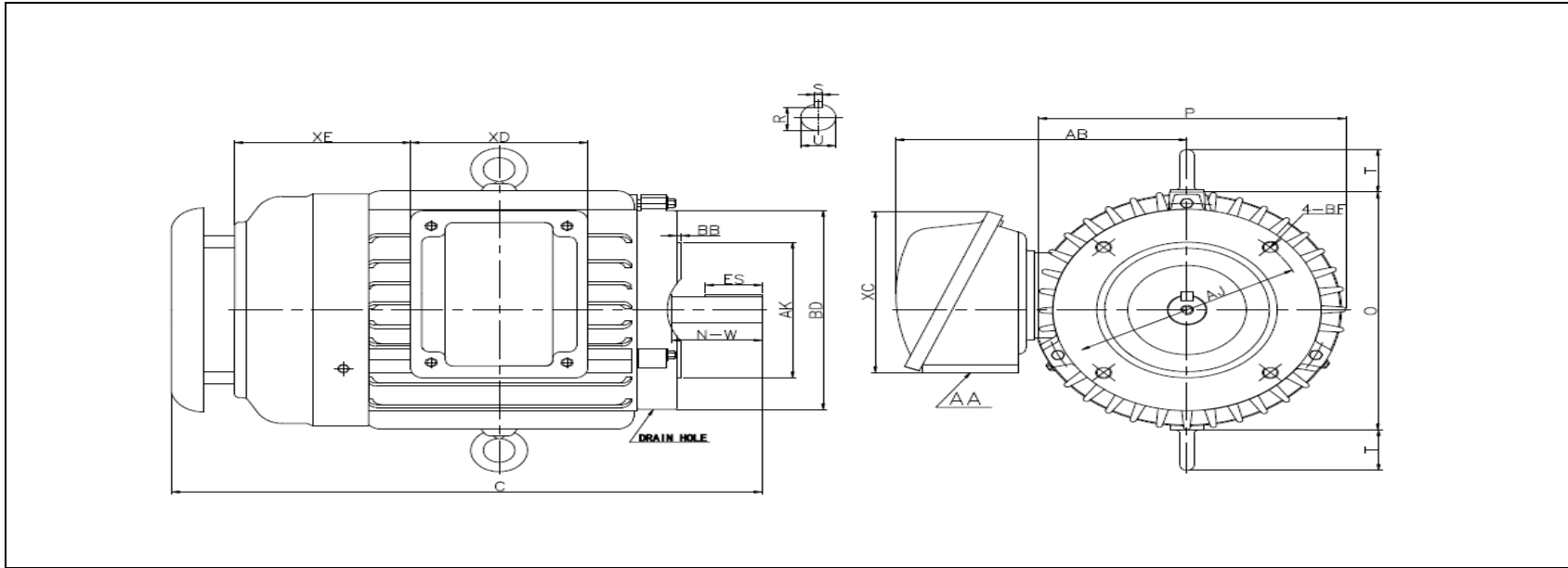
MOTOR DRAWING

Premium Efficiency Motor: **LAM2-18-145TCRD**

WorldWide Electric Corporation

1 (800) 808-2131

Worldwideelectric.net



DIMENSION - INCHES

FLANGE MOUNTING					C	P	O	T	AB
AK	BD	AJ	BF	BB					
4.5	6.5	5.875	4*3/8-16	0.16	15.2	7.66	7.64	1.4	7.3

SHAFT & KEY				
S	ES	R	N-W	U
0.188	1.41	0.771	2.25	0.875

TERMINAL BOX			
AA	XC	XD	XE
3/4 NPT	5.4	4.4	4.4

PERFORMANCE CURVES

Premium Efficiency Motor:

LAM2-18-145TCRD

WorldWide Electric Corporation

1 (800) 808-2131

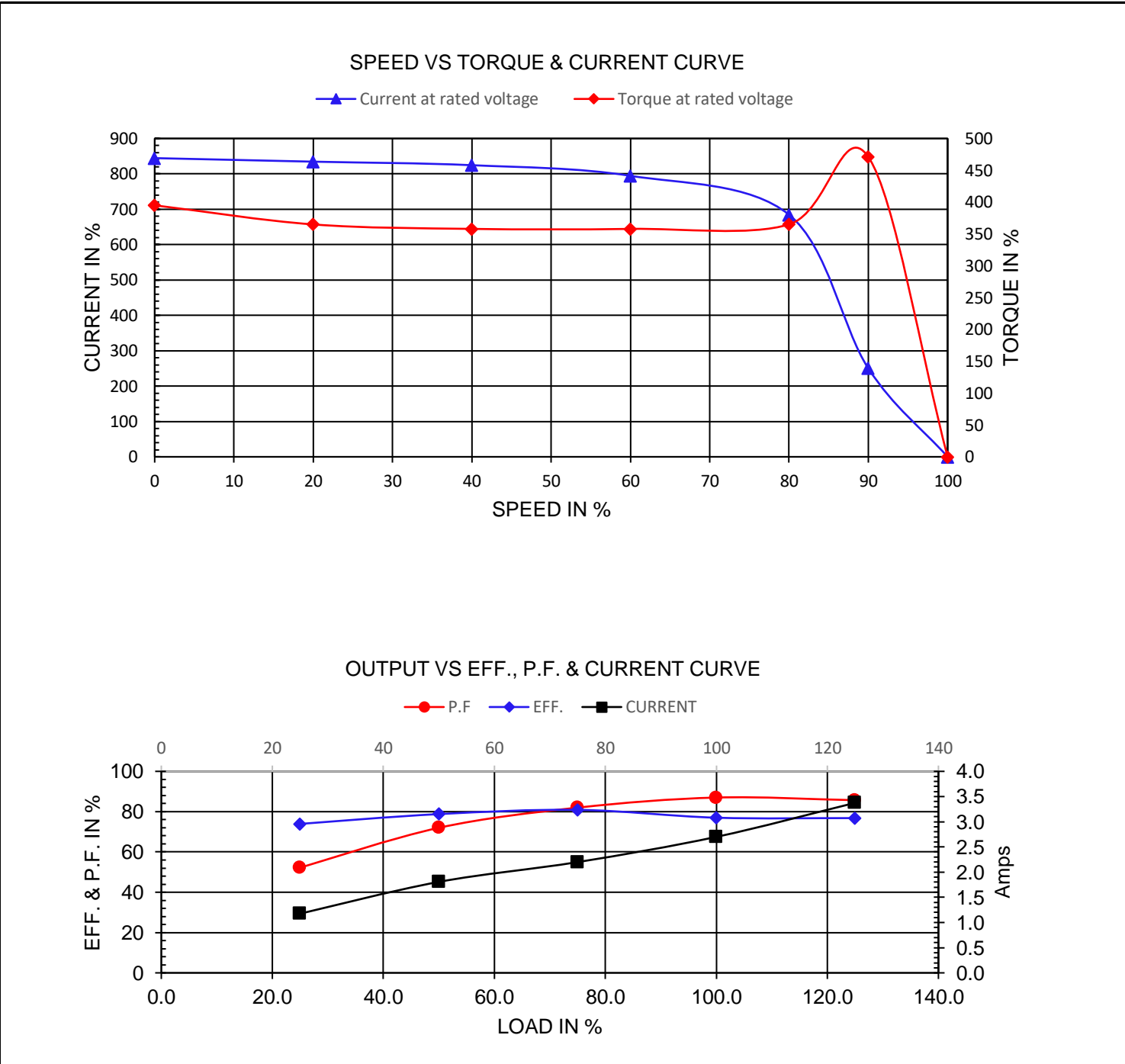
Worldwideelectric.net



Document Generated: 14-Sep-2023
Document ID:

Customer:

Motor Type	LAM		FL Speed	1730	
Output Rating (HP)	2		LRT (%FLT)	395	460 volt FLA 2.7
Full Load Torque	6 lb.ft		BDT (%FLT)	471	230 volt FLA 5.4A
Rotor Wk ²	0.101123 lb-ft ²				



NAMEPLATE / WIRING

Premium Efficiency Motor: **LAM2-18-145TCRD**

WorldWide Electric Corporation

1 (800) 808-2131

Worldwideelectric.net



Document Generated: 14-Sep-2023
Document ID:

Customer:

SAMPLE NAMEPLATE DATA

		THREE PHASE SEVERE DUTY MOTOR							
Model :		Encl :	Type :		SN :				
HP :	Poles :	FR :	Ins:	Duty: Cont	IP :	Max Amb 40°C			
Hz :		CODE :		Hz :		Design :			
Volts :		P.F :		Volts :		DE BRG :			
Amps :		Eff :		Amps :		ODE BRG :			
RPM :		S.F :		RPM :		WT :			
				S.F :		Date :			
CC306B				LOUIS ALLIS				UL certified Class I, Division II, Groups A,B,C,D T3B	
				A WORLDWIDE ELECTRIC COMPANY					

Model:	LAM2-18-145TCRD	Encl:	TEFC	Type:	AEH3		
HP:	2	Poles	4	FR:	143/5TC	Ins:	F
Hz:	60	CODE:	L	Hz	50	HP:	2
Volts:	230/460	P.F:	0.8	Volts:	190/380	Design:	B
Amps:	5.4/2.7	Eff:	0.865	Amps	6.4/3.2	ODE BRG:	6204 ZZ
RPM:	1730	S.F:	1.25	RPM	1440	WT:	58.4 lbs.
				S.F:	1.00		