

DATA SHEET

Premium Efficiency Motor: **LAM2-36-145T**

60 Hz

WorldWide Electric Corporation

1 (800) 808-2131

Worldwideelectric.net



Document Generated: 8-Sep-2023
Document ID:

Customer:

| MOTOR INFORMATION | |
|-------------------------|---------------------------------------|
| HP | 2 |
| RPM | 3600 |
| Phase | 3 |
| Frequency | 60 Hz |
| Voltage | 230/460 |
| Frame Size | 143/5T |
| Enclosure | TEFC |
| Degree of Protection | IP55 |
| Service Factor | 1.25 |
| Poles | 2 |
| Full Load Speed | 3430 |
| Insulation Class | F |
| Temp Rise | 80°C |
| NEMA Code Letter | K |
| Duty Cycle | S1 / Continuous |
| Slip | 4.72% |
| NEMA Design | B |
| Moment of Inertia | 0.058 lb.ft.^2 |
| Locked Rotor Time (Hot) | 12 seconds |
| Sound Pressure Level | 85 dB(A) |
| Number of Starts | 2 Cold/1 Hot |
| Max Ambient Temperature | 40°C |
| Max Elevation | 1000 m.a.s.l (3300 f.a.s.l) |
| Mounting | Rigid |
| Rotation | Bi-Directional |
| Area of Classification | Class 1 Division 2 Groups A,B,C,D T3B |
| Inverter Rating | 10:1 CT / 20:1 VT |
| Standard | NEMA MG-1 |
| Approvals | UL, CE, IEEE45, ABS |

| EFFICIENCY/POWER FACTOR | | |
|-------------------------|--------|-------|
| LOAD | EFF | P. F. |
| 100% | 85.5 % | 0.88 |
| 75% | 85.7 % | 0.84 |
| 50% | 85.1 % | 0.75 |

| TORQUE | | |
|-------------|-------|-------|
| FULL LOAD | LRT | BDT |
| 3.07 lb.ft. | 428 % | 496 % |

| AMPERAGE INFORMATION | | |
|----------------------|-------|-------|
| | 230V | 460V |
| Full Load Amps | 5A | 2.5A |
| Locked Rotor Amps | 44.6A | 22.3A |
| No Load Current | 1.8A | 0.9A |
| Usable at 208V | | 5.5 A |

| BEARING INFORMATION | |
|-------------------------|----------|
| DE Bearing | 6205 ZZ |
| ODE Bearing | 6204 ZZ |
| Grease Type | NSK SN7 |
| DE Regreasing Interval | -- Hours |
| ODE Regreasing Interval | -- Hours |
| Grease Quantity | -- |

| ADDITIONAL DATA | |
|--------------------|------------|
| F2 Suitable | Yes |
| Shaft Material | AISI 1045 |
| Connection Diagram | 9 Lead Wye |
| Approximate Weight | 54.7 lbs. |

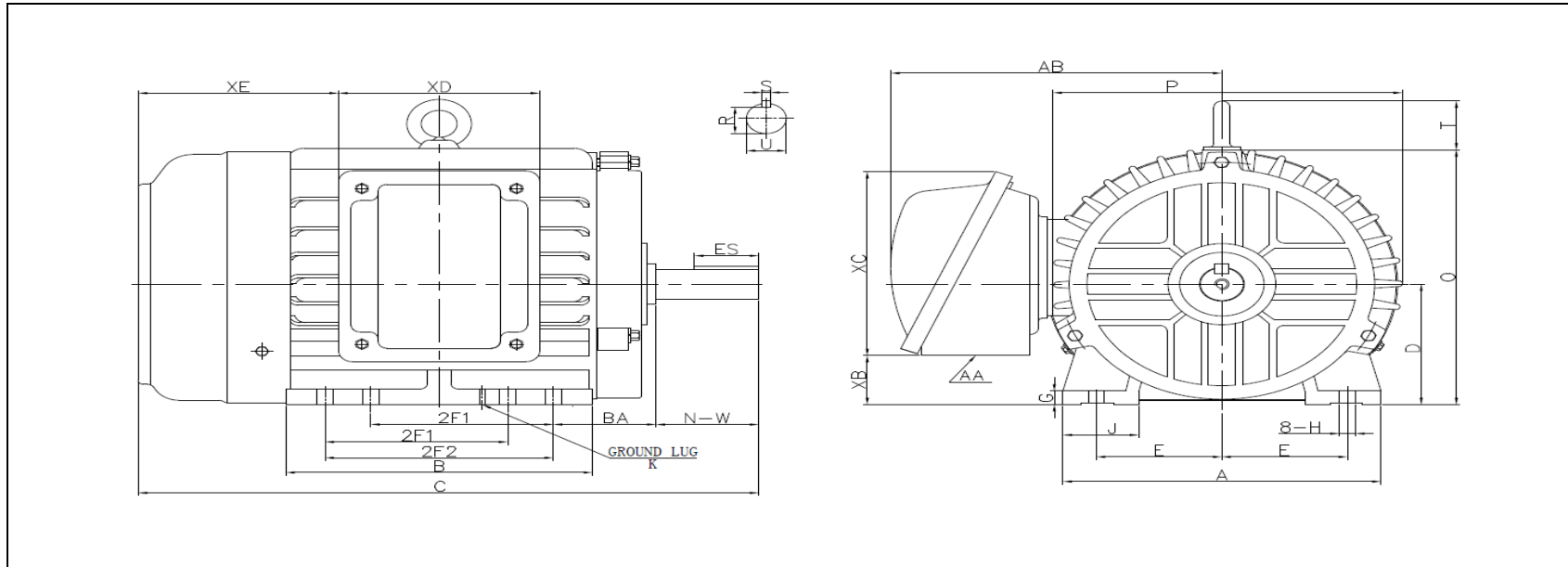
MOTOR DRAWING

Premium Efficiency Motor: **LAM2-36-145T**

WorldWide Electric Corporation

1 (800) 808-2131

Worldwideelectric.net



DIMENSION - INCHES

| MOUNTING | | | | | A | B | C | D | G | J | P | O | T | AB |
|----------|-----|-----|------|------|---|------|-------|-----|------|------|------|------|-----|-----|
| E | 2F1 | 2F2 | H | BA | | | | | | | | | | |
| 2.75 | 4 | 5 | 0.34 | 2.25 | 7 | 6.77 | 13.59 | 3.5 | 0.39 | 1.66 | 7.66 | 7.41 | 1.4 | 7.3 |

| SHAFT & KEY | | | | |
|-------------|------|-------|------|-------|
| S | ES | R | N-W | U |
| 0.188 | 1.41 | 0.771 | 2.25 | 0.875 |

| TERMINAL BOX | | | | |
|--------------|------|-----|-----|-----|
| AA | XB | XC | XD | XE |
| 3/4 NPT | 1.42 | 5.4 | 4.4 | 4.4 |

| GROUND LUG |
|------------|
| M5 |

PERFORMANCE CURVES

Premium Efficiency Motor:

LAM2-36-145T

WorldWide Electric Corporation

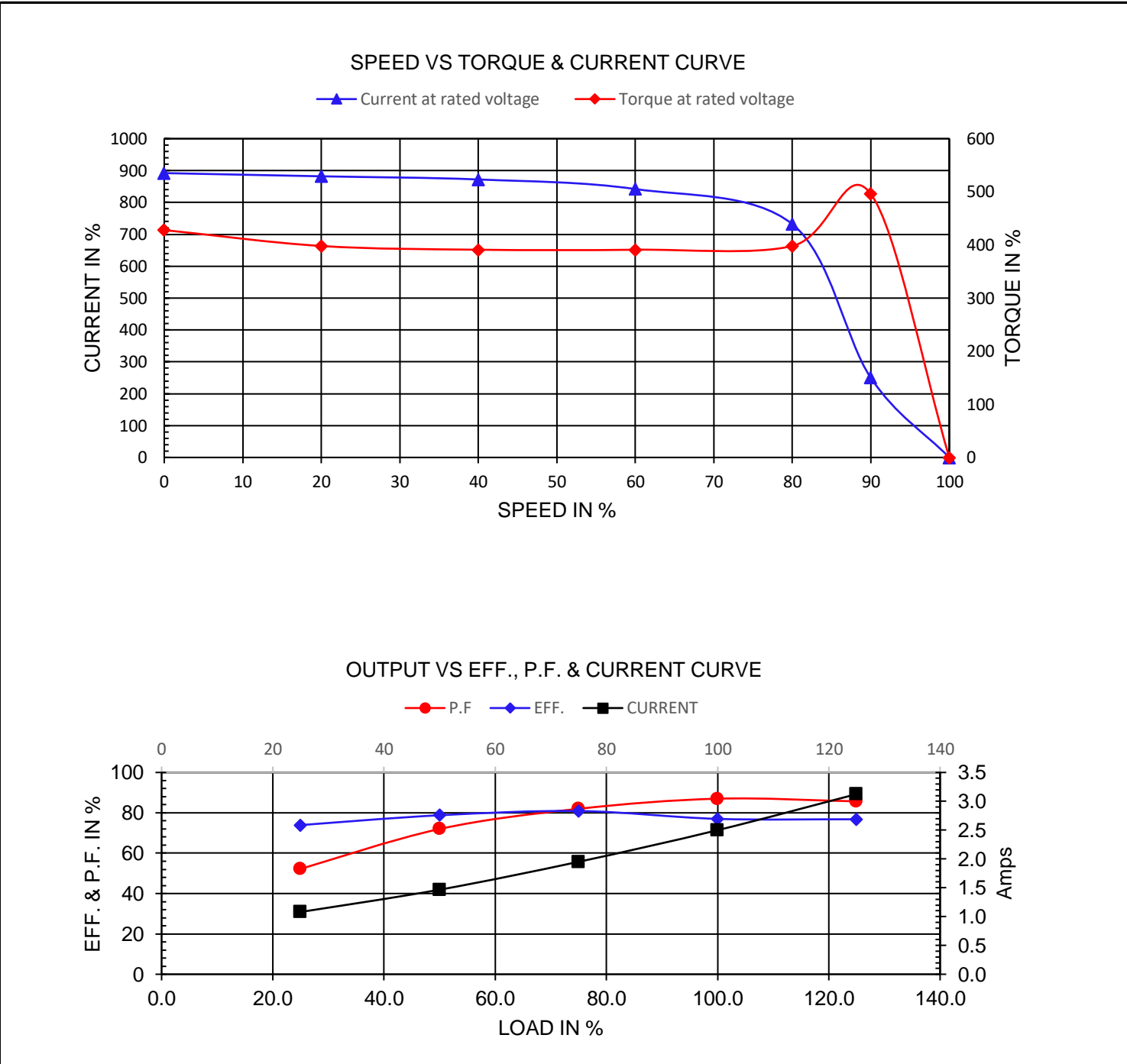
1 (800) 808-2131

Worldwideelectric.net



| | |
|--------------------------------|-----------|
| Document Generated: 8-Sep-2023 | Customer: |
| Document ID: | |

| | | | | | |
|-----------------------|-------|--------------------|--------------|------|--|
| Motor Type | AEH3 | | FL Speed | 3430 | |
| Output Rating (HP) | 2 | | LRT (%FLT) | 428 | |
| Full Load Torque | 3.07 | lb.ft | 460 volt FLA | 2.5 | |
| Rotor Wk ² | 0.058 | lb-ft ² | 230 volt FLA | 5 | |
| | | | BDT (%FLT) | 496 | |



NAMEPLATE / WIRING

Premium Efficiency Motor: **LAM2-36-145T**

WorldWide Electric Corporation

1 (800) 808-2131

Worldwideelectric.net



Document Generated: 8-Sep-2023
Document ID:

Customer:

SAMPLE NAMEPLATE DATA

| | | | | | | | | | | | | | | | | | | | | | | |
|---------|---------|--|-----------|-------------|------|--------------|--|---|---|---|--|--|--|---|---|---|----|----|----|-------|--|--|
| | | THREE PHASE SEVERE DUTY MOTOR I EEE45 | | | | | | | | | | | | | | | | | | | | |
| Model : | | Encl : | Type : | SN : | | | 4 — 5 — 6 | | | | | | | | | | | | | | | |
| HP : | Poles : | FR : | Ins : | Duty: Cont | IP : | Max Amb 40°C | <table border="0"> <tr><td>7</td><td>8</td><td>9</td></tr> <tr><td> </td><td> </td><td> </td></tr> <tr><td>1</td><td>2</td><td>3</td></tr> <tr><td>L1</td><td>L2</td><td>L3</td></tr> <tr><td colspan="3" style="text-align: center;">230 V</td></tr> </table> | 7 | 8 | 9 | | | | 1 | 2 | 3 | L1 | L2 | L3 | 230 V | | |
| 7 | 8 | 9 | | | | | | | | | | | | | | | | | | | | |
| | | | | | | | | | | | | | | | | | | | | | | |
| 1 | 2 | 3 | | | | | | | | | | | | | | | | | | | | |
| L1 | L2 | L3 | | | | | | | | | | | | | | | | | | | | |
| 230 V | | | | | | | | | | | | | | | | | | | | | | |
| Hz : | CODE : | Hz : | Design : | | | | 7 — 8 — 9 | | | | | | | | | | | | | | | |
| Volts : | P.F : | Volts : | DE BRG : | | | | 4 — 5 — 6 | | | | | | | | | | | | | | | |
| Amps : | Eff : | Amps : | ODE BRG : | | | | 1 — 2 — 3 | | | | | | | | | | | | | | | |
| RPM : | S.F : | RPM : | WT : | | | | L1 — L2 — L3 | | | | | | | | | | | | | | | |
| | | S.F : | Date : | | | | 460 V | | | | | | | | | | | | | | | |
| CC306B | | | | LOUIS ALLIS | | | UL certified Class I, Division II, Groups A,B,C,D T3B | | | | | | | | | | | | | | | |
| | | A WORLDWIDE ELECTRIC COMPANY | | | | | | | | | | | | | | | | | | | | |

| | | | | | |
|---------------|--------------|--------------|-------------|-----------------|-----------|
| Model: | LAM2-36-145T | Encl: | TEFC | Type: | AEH3 |
| HP: | 2 | Poles | 2 | FR: | 143/5T |
| Hz: | 60 | CODE: | K | Ins: | F |
| Volts: | 230/460 | P.F: | 0.88 | HP: | 2 |
| Amps: | 5.0/2.5 | Eff: | 0.855 | Design: | B |
| RPM: | 3430 | S.F: | 1.25 | DE BRG: | 6205 ZZ |
| | | | | ODE BRG: | 6204 ZZ |
| | | | | WT: | 54.7 lbs. |
| | | | S.F: | | |
| | | | | | |