

# DATA SHEET

Premium Efficiency Motor: **LAM20-18-256T**

**60 Hz**

WorldWide Electric Corporation

1 (800) 808-2131

Worldwideelectric.net



Document Generated: 8-Sep-2023  
Document ID:

Customer:

MOTOR INFORMATION	
HP	20
RPM	1800
Phase	3
Frequency	60 Hz
Voltage	230/460
Frame Size	254/6T
Enclosure	TEFC
Degree of Protection	IP55
Service Factor	1.25
Poles	4
Full Load Speed	1760
Insulation Class	F
Temp Rise	80°C
NEMA Code Letter	G
Duty Cycle	S1 / Continuous
Slip	2.22%
NEMA Design	B
Moment of Inertia	2.44 lb.ft.^2
Locked Rotor Time (Hot)	12 seconds
Sound Pressure Level	84 dB(A)
Number of Starts	2 Cold/1 Hot
Max Ambient Temperature	40°C
Max Elevation	1000 m.a.s.l (3300 f.a.s.l)
Mounting	Rigid
Rotation	Bi-Directional
Area of Classification	Class 1 Division 2 Groups A,B,C,D T3B
Inverter Rating	10:1 CT / 20:1 VT
Standard	NEMA MG-1
Approvals	UL, CE, IEEE45, ABS

EFFICIENCY/POWER FACTOR		
LOAD	EFF	P. F.
100%	93.0 %	0.88
75%	93.5 %	0.86
50%	93.4 %	0.81

TORQUE		
FULL LOAD	LRT	BDT
59.71 lb.ft.	260 %	319 %

AMPERAGE INFORMATION		
	230V	460V
Full Load Amps	46.4A	23.2A
Locked Rotor Amps	293A	146.5A
No Load Current	11.4A	5.7A
Usable at 208V		51.3 A

BEARING INFORMATION	
DE Bearing	6309 C3
ODE Bearing	6307 C3
Grease Type	Mobil Polyrex EM
DE Regreasing Interval	2400 Hours
ODE Regreasing Interval	3600 Hours
Grease Quantity	13g/8g

ADDITIONAL DATA	
F2 Suitable	Yes
Shaft Material	AISI 1045
Connection Diagram	9 Lead Wye
Approximate Weight	339.5 lbs.

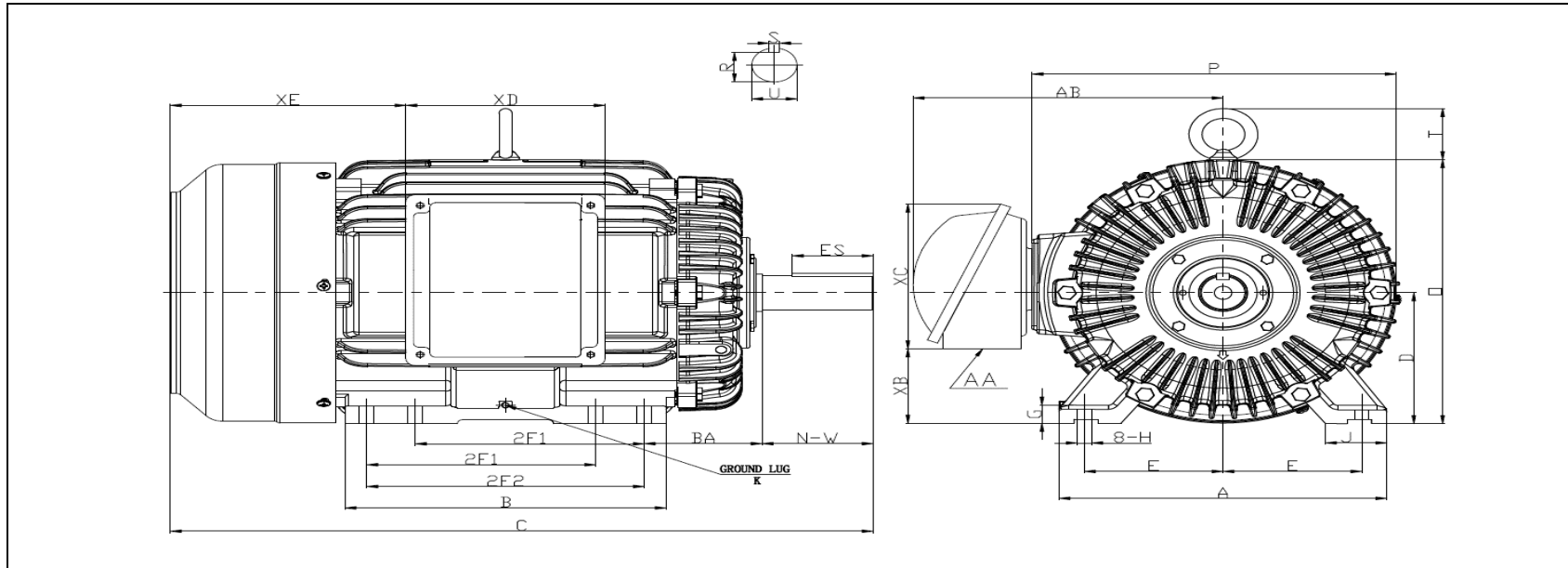
# MOTOR DRAWING

Premium Efficiency Motor: **LAM20-18-256T**

WorldWide Electric Corporation

1 (800) 808-2131

Worldwideelectric.net



## DIMENSION - INCHES

MOUNTING					A	B	C	D	G	J	P	O	T	AB
E	2F1	2F2	H	BA										
5	8.25	10	0.53	4.25	11.8	11.57	25.39	6.25	0.669	2.038	13.46	12.68	2.03	10.57

SHAFT & KEY				
S	ES	R	N-W	U
0.375	2.91	1.416	4	1.625

TERMINAL BOX				
AA	XB	XC	XD	XE
1-1/2 NPT	2.86	7.2	5.8	8.1

GROUND LUG
M8

# PERFORMANCE CURVES

Premium Efficiency Motor:

**LAM20-18-256T**

WorldWide Electric Corporation

1 (800) 808-2131

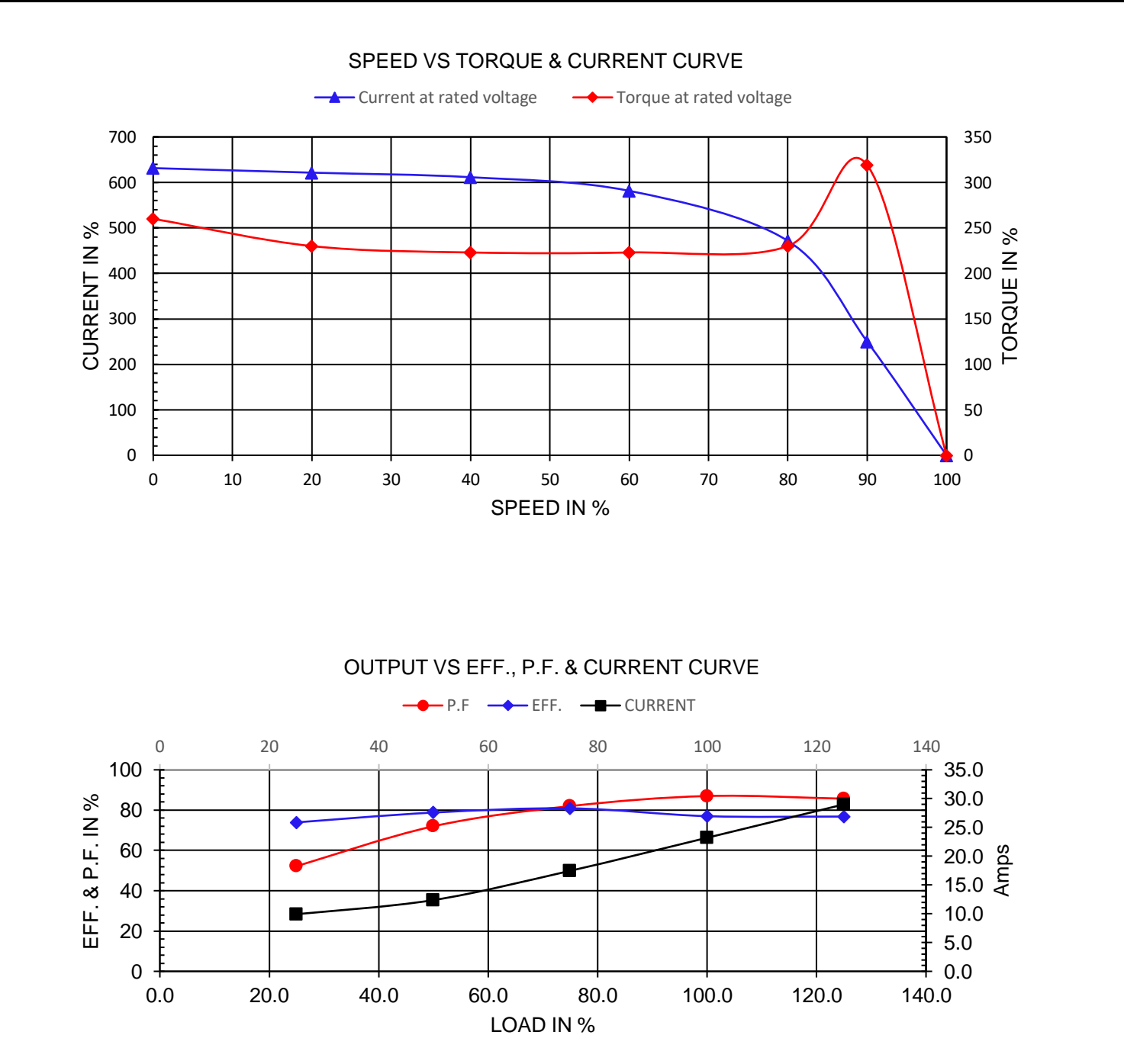
Worldwideelectric.net



Document Generated: 8-Sep-2023  
Document ID:

Customer:

Motor Type	AEH3		FL Speed	1760	
Output Rating (HP)	20		LRT (%FLT)	260	460 volt FLA 23.2
Full Load Torque	59.71	lb.ft	BDT (%FLT)	319	230 volt FLA 46.4
Rotor Wk <sup>2</sup>	2.44	lb-ft <sup>2</sup>			



# NAMEPLATE / WIRING

Premium Efficiency Motor: **LAM20-18-256T**

WorldWide Electric Corporation

1 (800) 808-2131

Worldwideelectric.net



Document Generated: 8-Sep-2023  
Document ID:

Customer:

## SAMPLE NAMEPLATE DATA

		<b>THREE PHASE SEVERE DUTY MOTOR IEEE45</b>																																					
Model :		Encl :	Type :	SN :			<table style="width: 100%; text-align: center;"> <tr> <td>4</td><td>5</td><td>6</td></tr> <tr> <td>7</td><td>8</td><td>9</td></tr> <tr> <td>1</td><td>2</td><td>3</td></tr> <tr> <td>L1</td><td>L2</td><td>L3</td></tr> <tr> <td colspan="3">230 V</td></tr> <tr> <td>7</td><td>8</td><td>9</td></tr> <tr> <td>4</td><td>5</td><td>6</td></tr> <tr> <td>1</td><td>2</td><td>3</td></tr> <tr> <td>L1</td><td>L2</td><td>L3</td></tr> <tr> <td colspan="3">460 V</td></tr> </table>			4	5	6	7	8	9	1	2	3	L1	L2	L3	230 V			7	8	9	4	5	6	1	2	3	L1	L2	L3	460 V		
4	5	6																																					
7	8	9																																					
1	2	3																																					
L1	L2	L3																																					
230 V																																							
7	8	9																																					
4	5	6																																					
1	2	3																																					
L1	L2	L3																																					
460 V																																							
HP :	Poles :	FR:	Ins:	Duty: Cont	IP :	Max Amb 40°C																																	
Hz :	CODE :		Hz :		Design :																																		
Volts :	P.F :		Volts :		DE BRG :																																		
Amps :	Eff :		Amps :		ODE BRG :																																		
RPM :	S.F :		RPM :		WT :																																		
			S.F :		Date :																																		
GC306B					LOUIS ALLIS A WORLDWIDE ELECTRIC COMPANY				UL certified Class I, Division II, Groups A,B,C,D T3B																														

<b>Model:</b>	LAM20-18-256T	<b>Encl:</b>	TEFC	<b>Type:</b>	AEH3
<b>HP:</b>	20	<b>Poles</b>	4	<b>FR:</b>	254/6T
<b>Hz:</b>	60	<b>CODE:</b>	G	<b>Ins:</b>	F
<b>Volts:</b>	230/460	<b>P.F:</b>	0.88	<b>Hz</b>	50
<b>Amps:</b>	46.4/23.2	<b>Eff:</b>	0.93	<b>HP:</b>	20
<b>RPM:</b>	1760	<b>S.F:</b>	1.25	<b>Volts:</b>	190/380
				<b>Amps</b>	55.8/27.9
				<b>RPM</b>	1450
				<b>S.F:</b>	1.00
				<b>Design:</b>	B
				<b>DE BRG:</b>	6309 C3
				<b>ODE BRG:</b>	6307 C3
				<b>WT:</b>	339.5 lbs.