

# DATA SHEET

Premium Efficiency Motor: **LAM20-18-256TC**

**60 Hz**

WorldWide Electric Corporation

1 (800) 808-2131

Worldwideelectric.net



Document Generated: 14-Sep-2023  
Document ID:

Customer:

MOTOR INFORMATION	
HP	20
RPM	1800
Phase	3
Frequency	60 Hz
Voltage	230/460
Frame Size	254/6TC
Enclosure	TEFC
Degree of Protection	IP55
Service Factor	1.25
Poles	4
Full Load Speed	1760
Insulation Class	F
Temp Rise	80°C
NEMA Code Letter	G
Duty Cycle	S1 / Continuous
Slip	2.22%
NEMA Design	B
Moment of Inertia	2.44 lb.ft.^2
Locked Rotor Time (Hot)	12 seconds
Sound Pressure Level	84 dB(A)
Number of Starts	2 Cold/1 Hot
Max Ambient Temperature	40°C
Max Elevation	1000 m.a.s.l (3300 f.a.s.l)
Mounting	F1
Rotation	Bi-Directional
Area of Classification	Class 1 Division 2 Groups A,B,C,D T3B
Inverter Rating	10:1 CT / 20:1 VT
Standard	NEMA MG-1
Approvals	UL, CE, IEEE45, ABS

EFFICIENCY/POWER FACTOR		
LOAD	EFF	P. F.
100%	93.0 %	0.88
75%	93.5 %	0.86
50%	93.4 %	0.81

TORQUE		
FULL LOAD	LRT	BDT
59.71 lb.ft.	260 %	319 %

AMPERAGE INFORMATION		
	230V	460V
Full Load Amps	46.4A	23.2
Locked Rotor Amps	293A	146.5A
No Load Current	11.4A	5.7A
Usable at 208V		51.3 A

BEARING INFORMATION	
DE Bearing	6309 C3
ODE Bearing	6307 C3
Grease Type	Mobil Polyrex EM
DE Regreasing Interval	2400 Hours
ODE Regreasing Interval	3600 Hours
Grease Quantity	13g/8g

ADDITIONAL DATA	
F2 Suitable	Yes
Shaft Material	AISI 1045
Connection Diagram	9 Lead Wye
Approximate Weight	339.5 lbs.

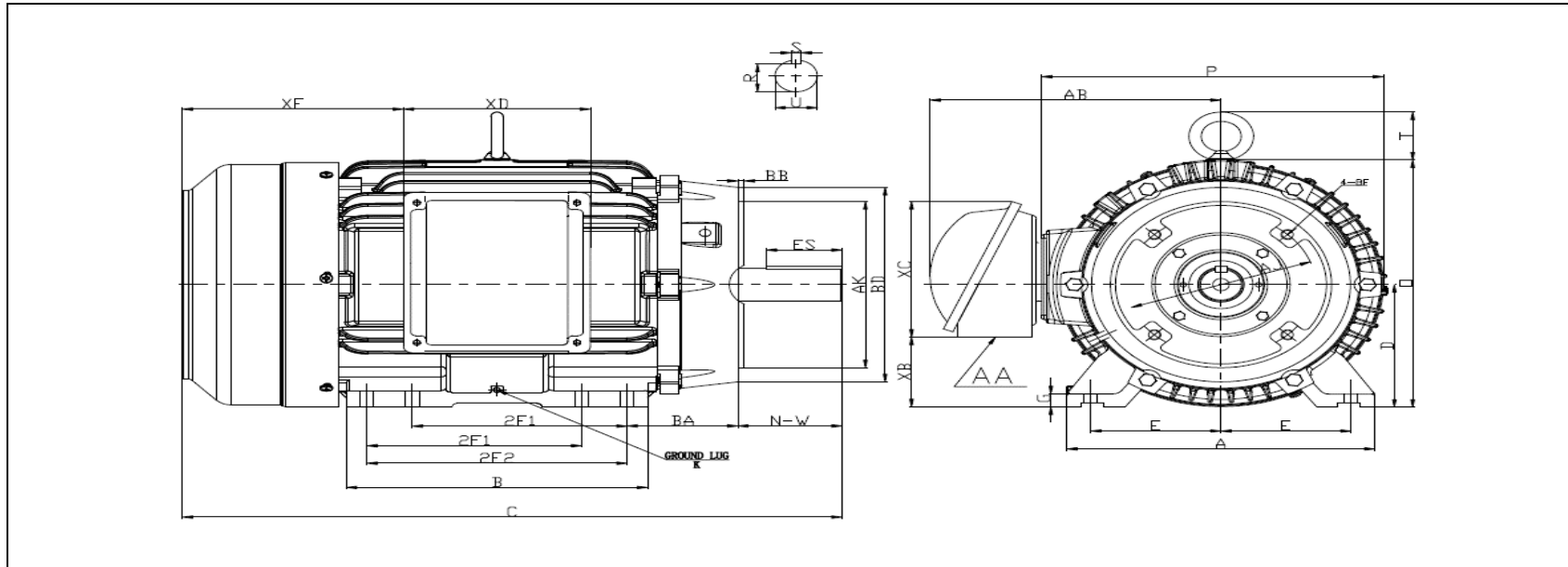
# MOTOR DRAWING

Premium Efficiency Motor: **LAM20-18-256TC**

WorldWide Electric Corporation

1 (800) 808-2131

Worldwideelectric.net



## DIMENSION - INCHES

MOUNTING					A	B	C	D	G	P	O	T	AB
E	2F1	2F2	H	BA									
5	8.25	10	0.53	4.25	11.8	11.57	25.39	6.25	0.669	13.46	12.68	2.03	10.57

SHAFT & KEY				
S	ES	R	N-W	U
0.375	2.91	1.416	4	1.625

TERMINAL BOX				
AA	XB	XC	XD	XE
1-1/2 NPT	2.86	7.2	5.8	8.1

GROUND LUG
M8

FLANGE				
AK	BD	AJ	BF	BB
8.5	10	7.25	4*1/2-13	0.25

# PERFORMANCE CURVES

Premium Efficiency Motor:

**LAM20-18-256TC**

WorldWide Electric Corporation

1 (800) 808-2131

Worldwideelectric.net



Document Generated: 14-Sep-2023  
Document ID:

Customer:

Motor Type	LAM		FL Speed	1760	
Output Rating (HP)	20		LRT (%FLT)	260	460 volt FLA 23.2
Full Load Torque	59.71	lb.ft	BDT (%FLT)	319	230 volt FLA 46.4A
Rotor Wk <sup>2</sup>	2.44	lb-ft <sup>2</sup>			

